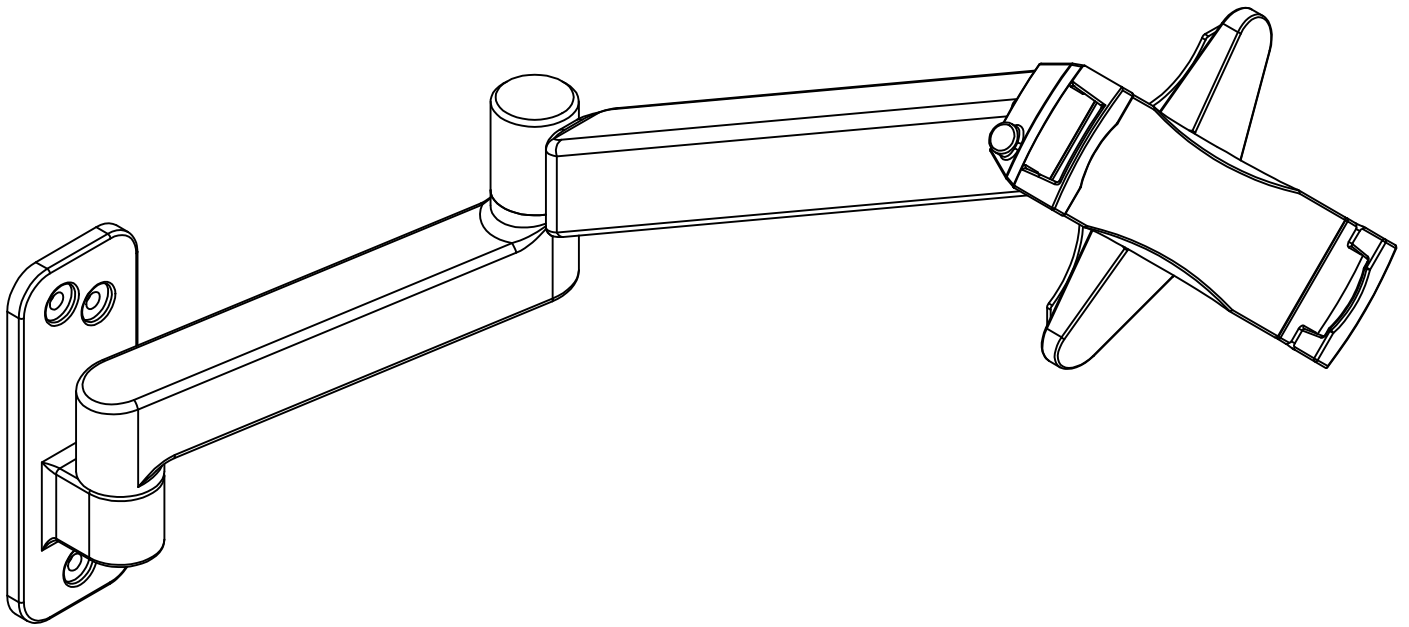
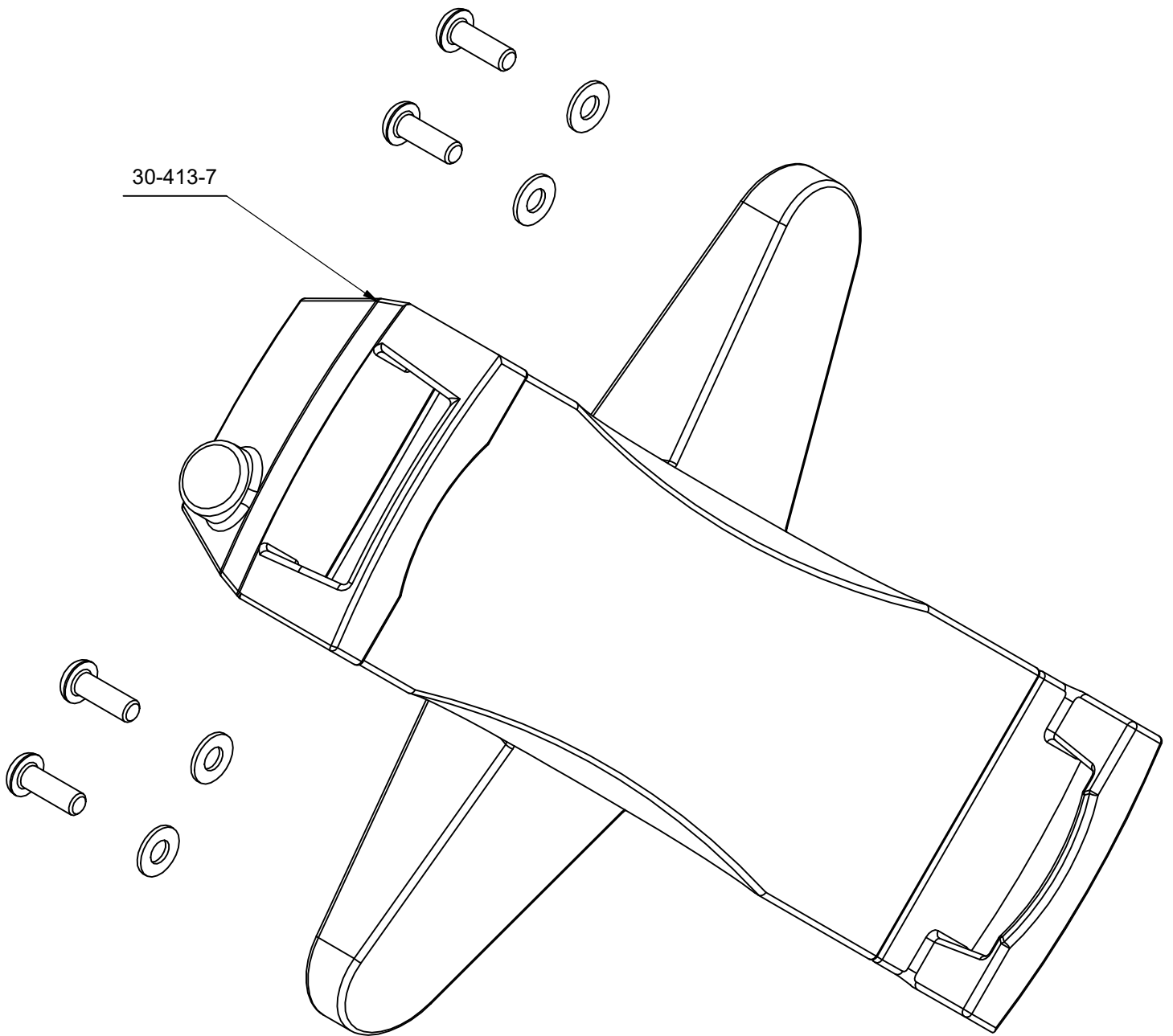




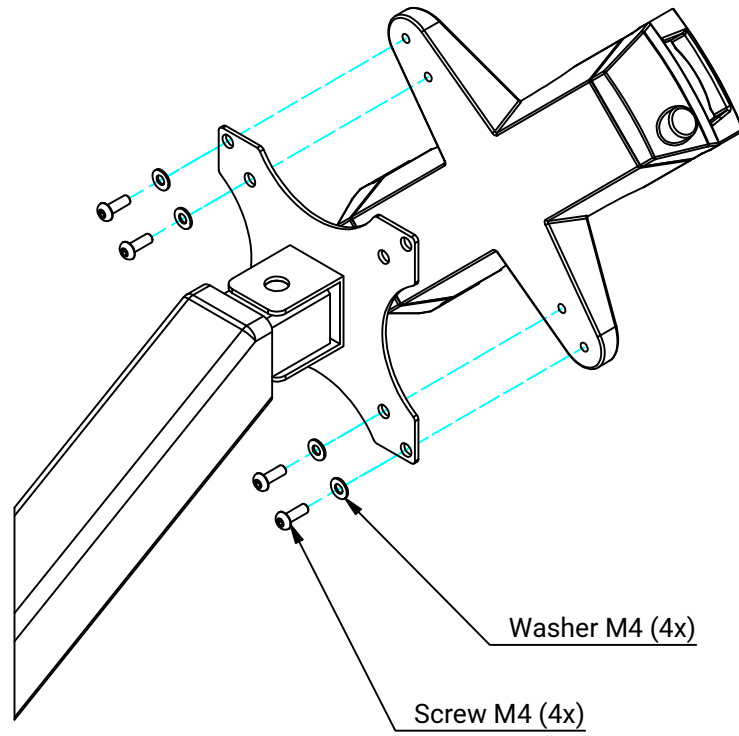
# 30-413-7

## Holder for tablet





1



2

