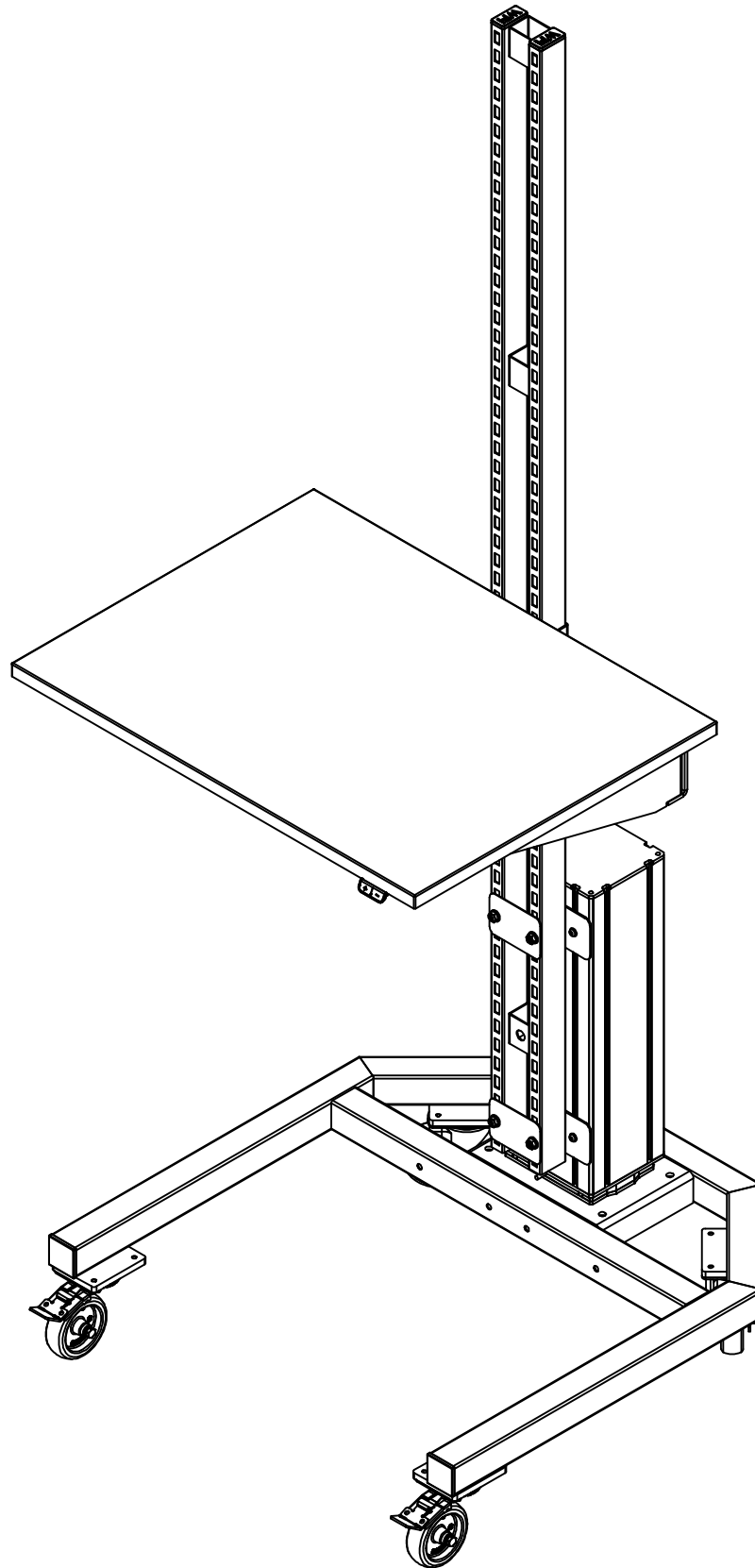
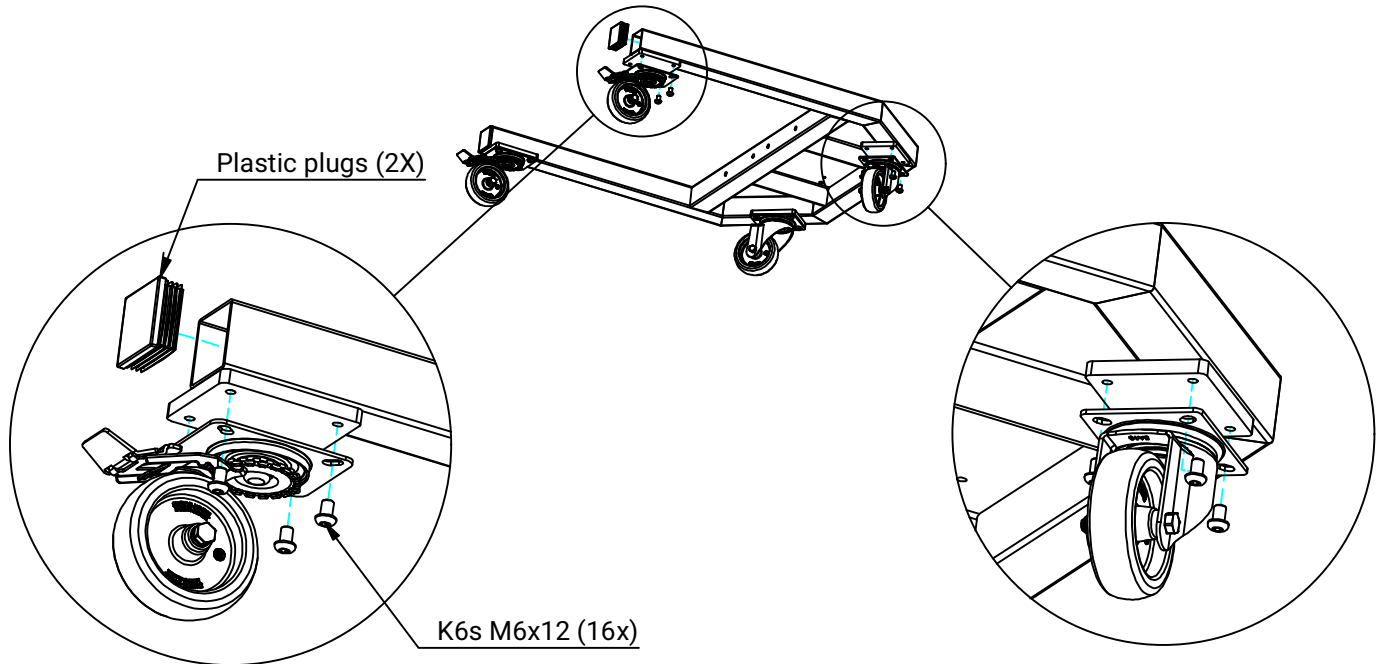


# 9-330-01

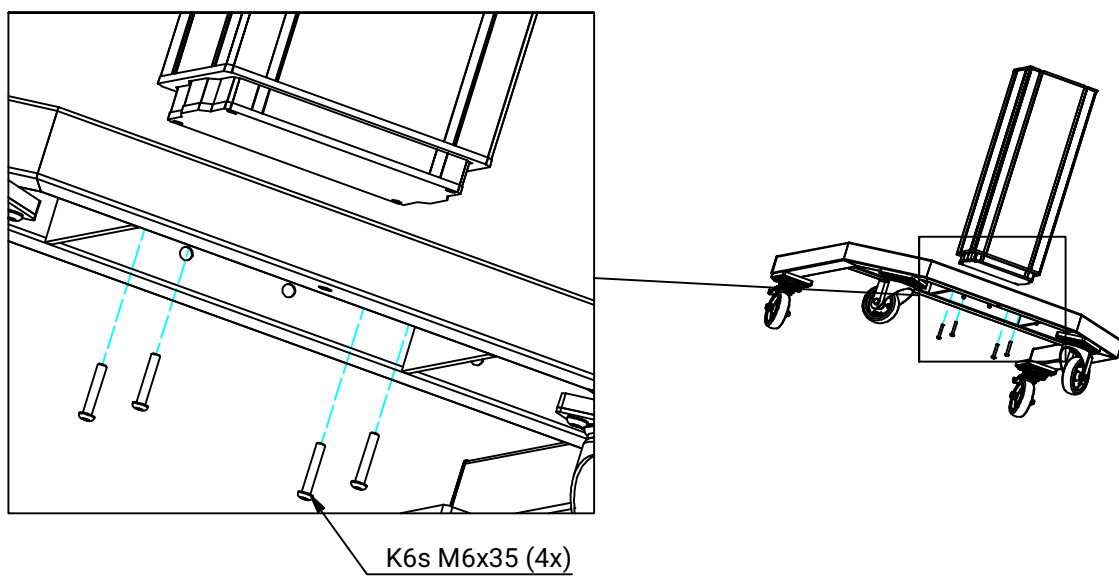
## Mobile Workstation Motorized 1

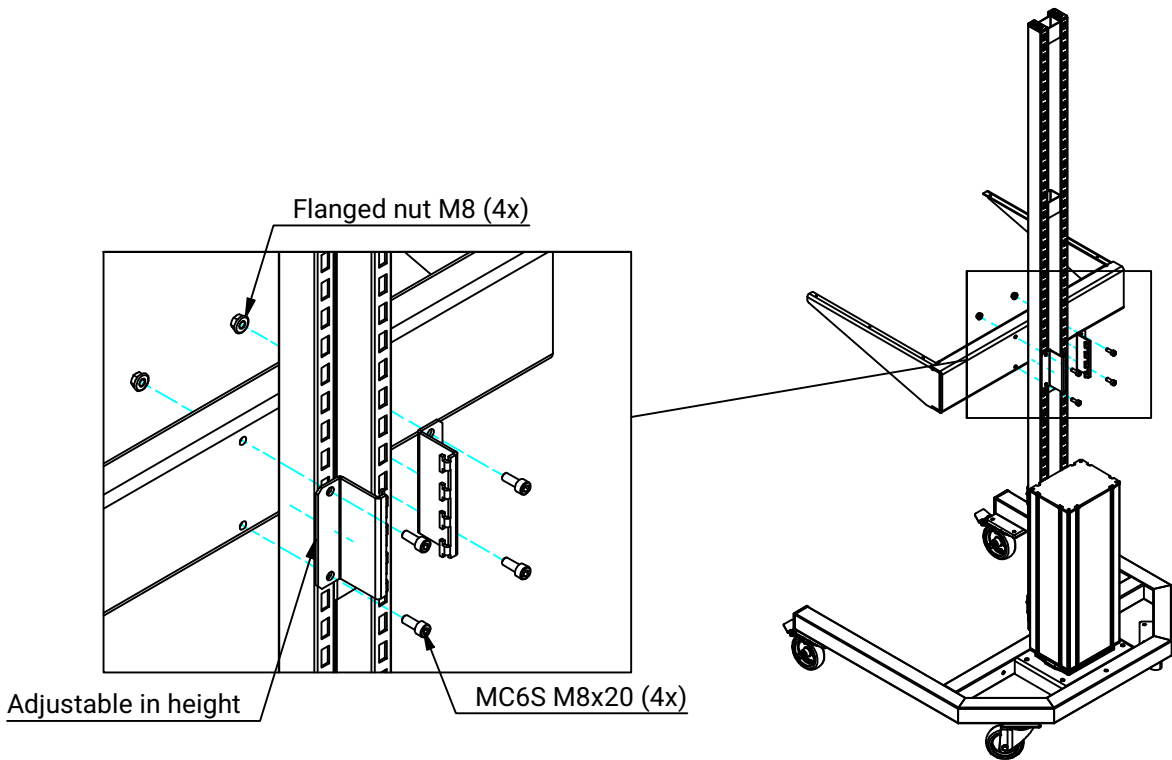
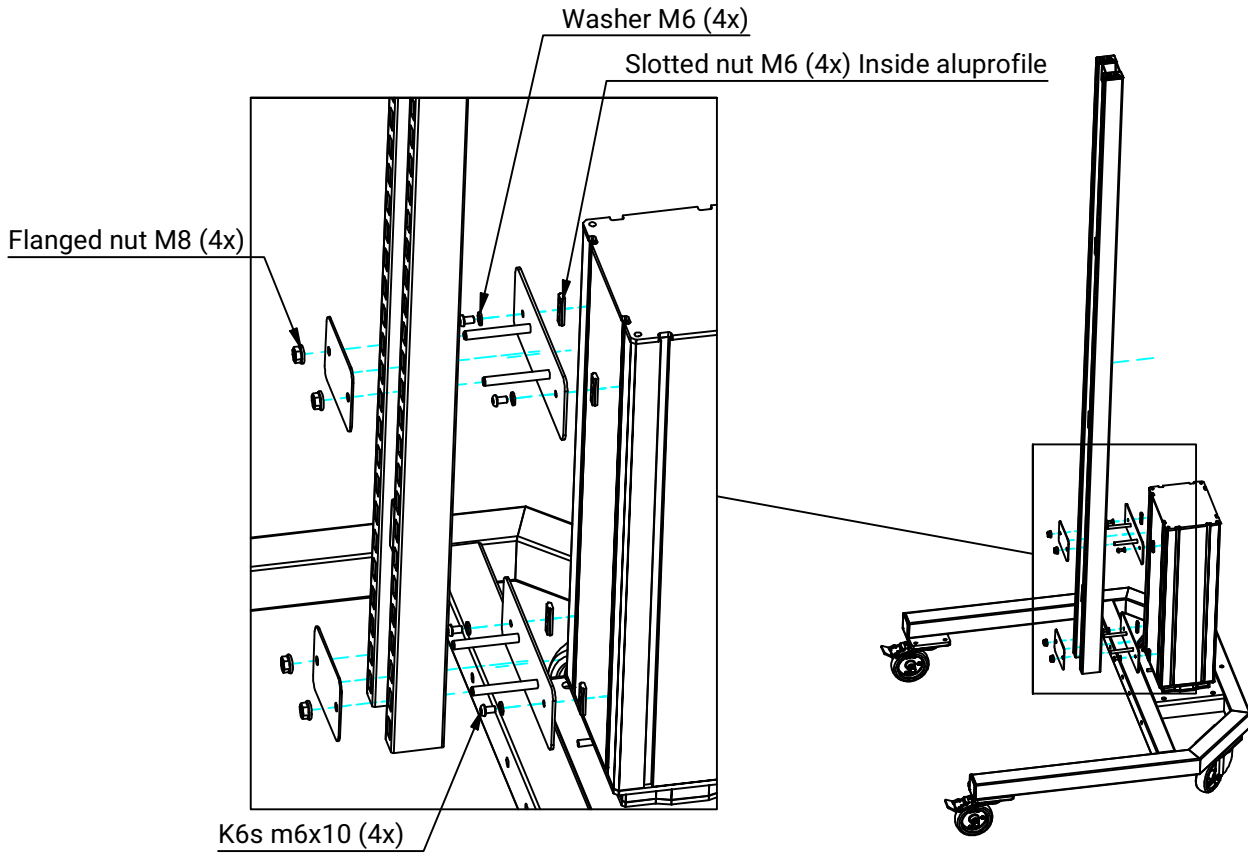


1

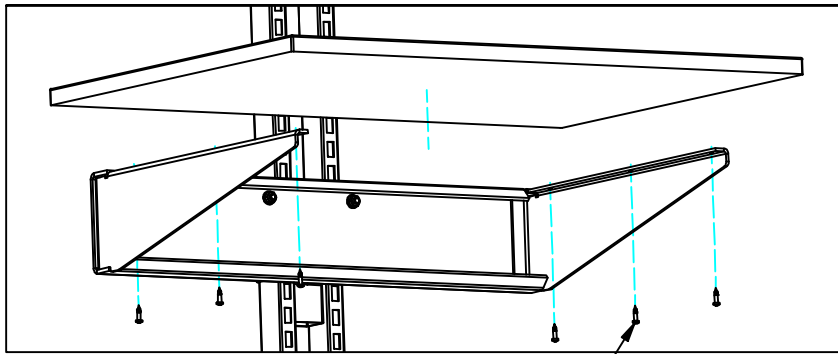


2

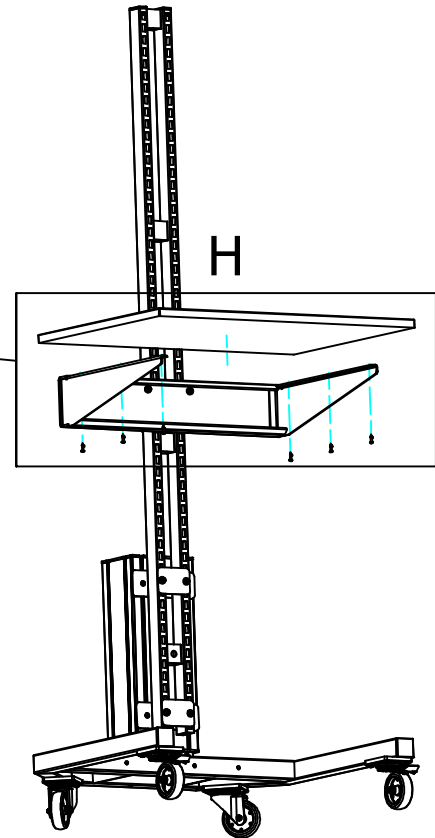




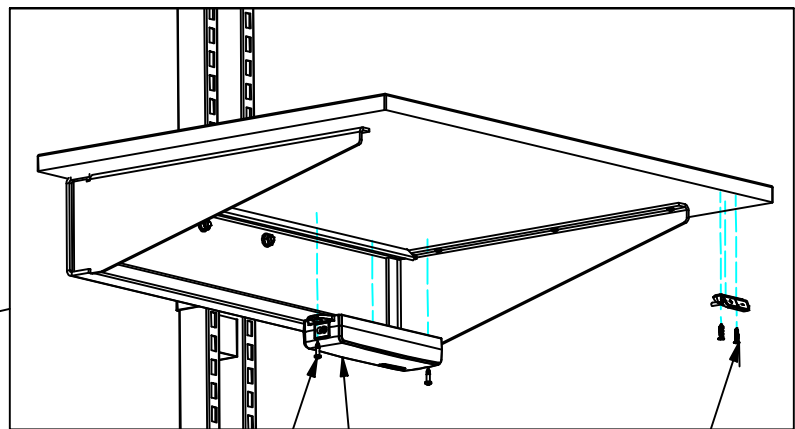
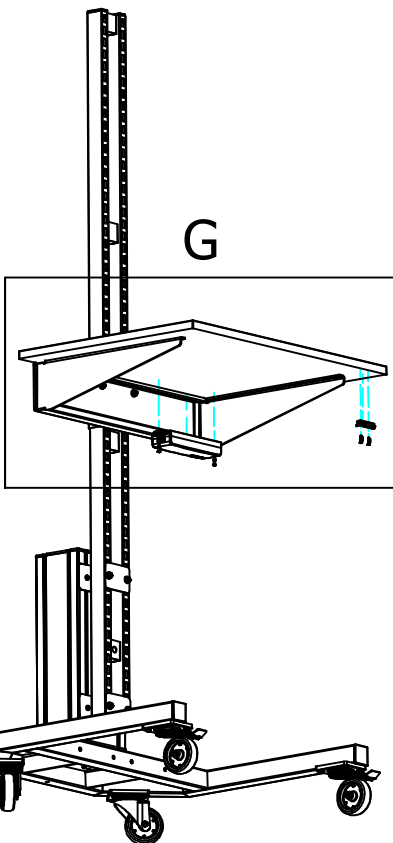
5



TRX 4,5x20 (6x)



6



TRX 4,5x20 (2x)

TFX 4x20 (2x)

Plug in motorcabel in control unit.  
 Plug in puchbottoms and power cabel  
 Finally plug in to wall power.  
 Hold the up and down button pushed until  
 a clicking sound comes from the control unit.  
 The column can now be raised and lowered.



