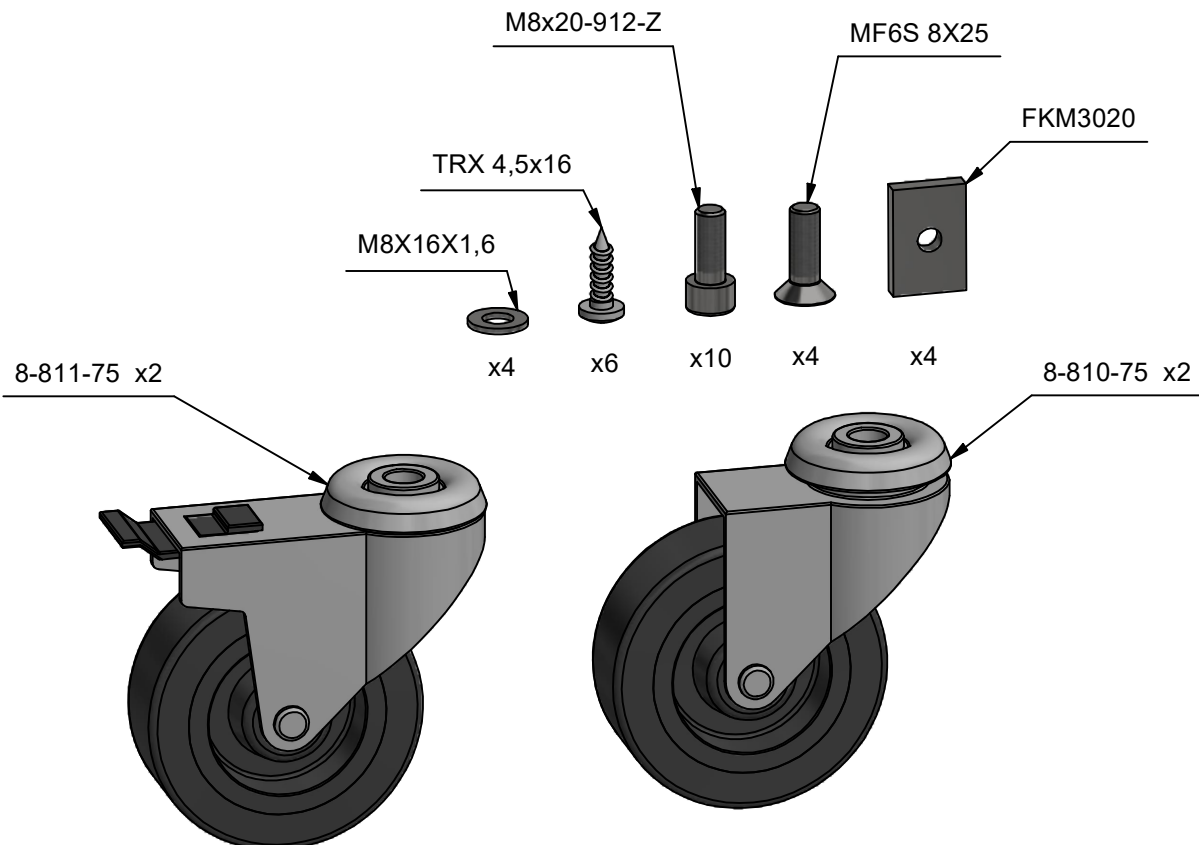
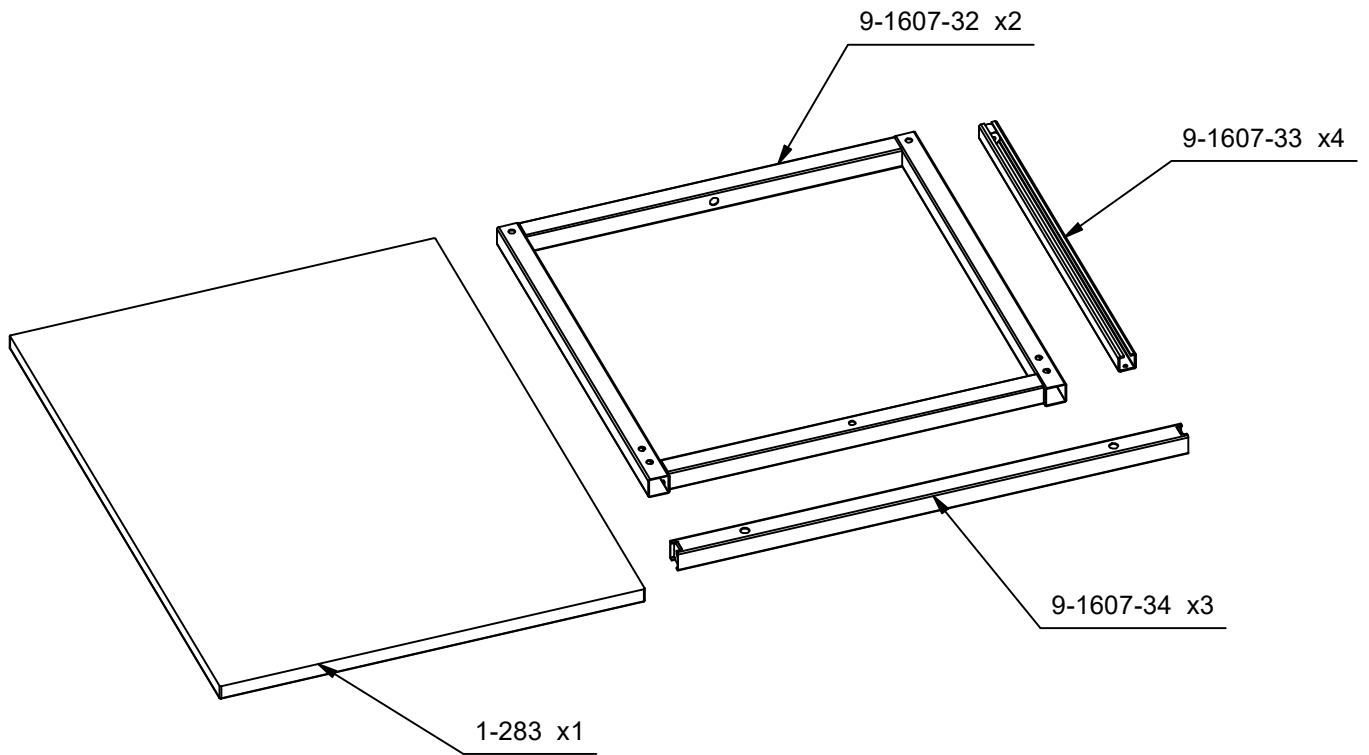


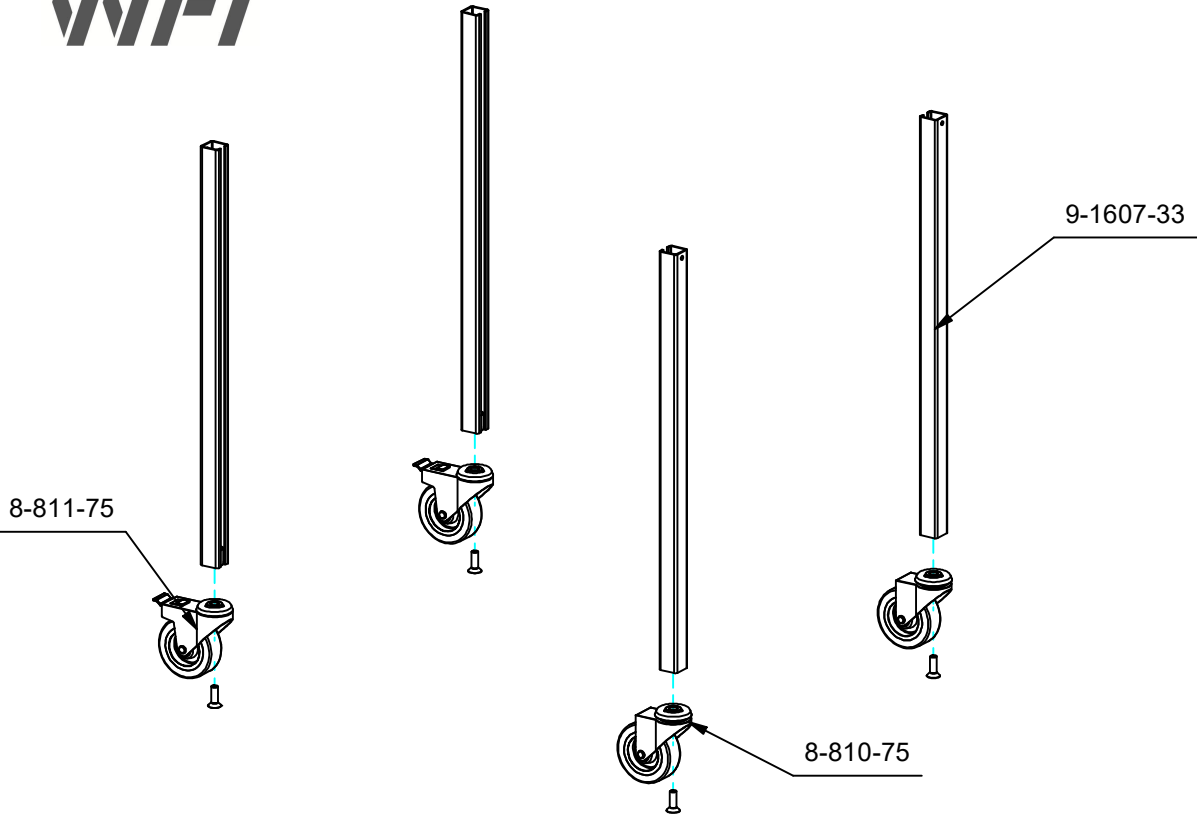
1-174-136

Avlastningsbord på hjul



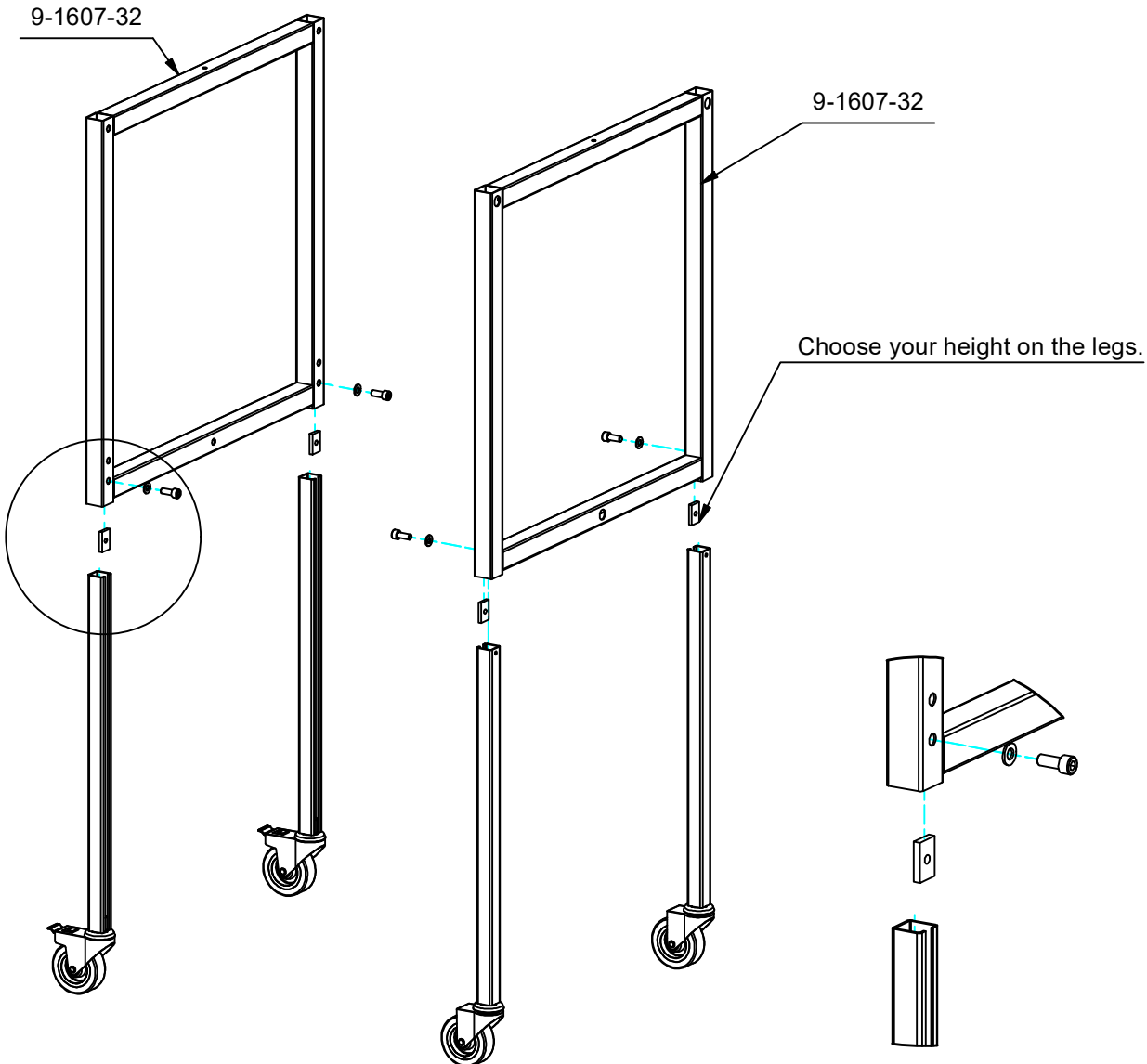


1



MC6S M8x25 x4

2



MC6S M8x20 x4

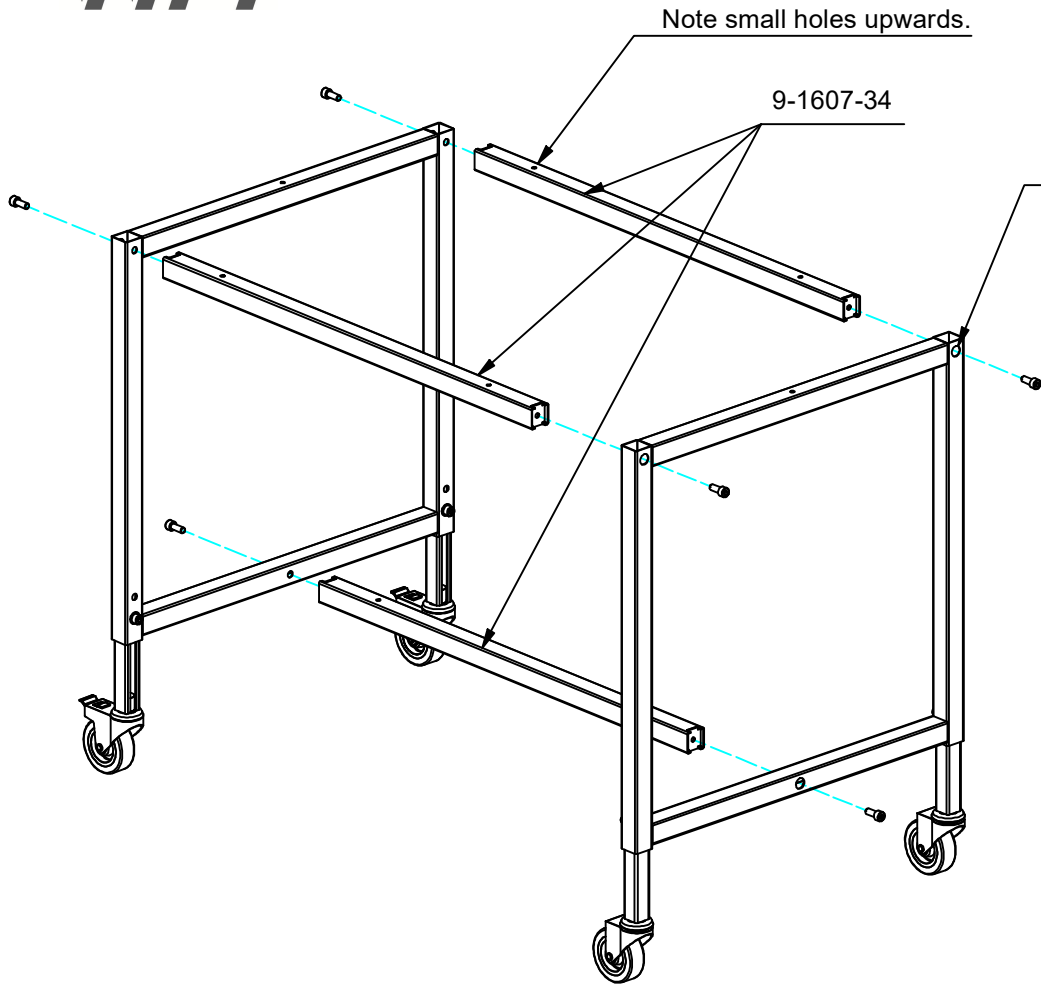


M8x16x1,6 x4



FKM3020 x4



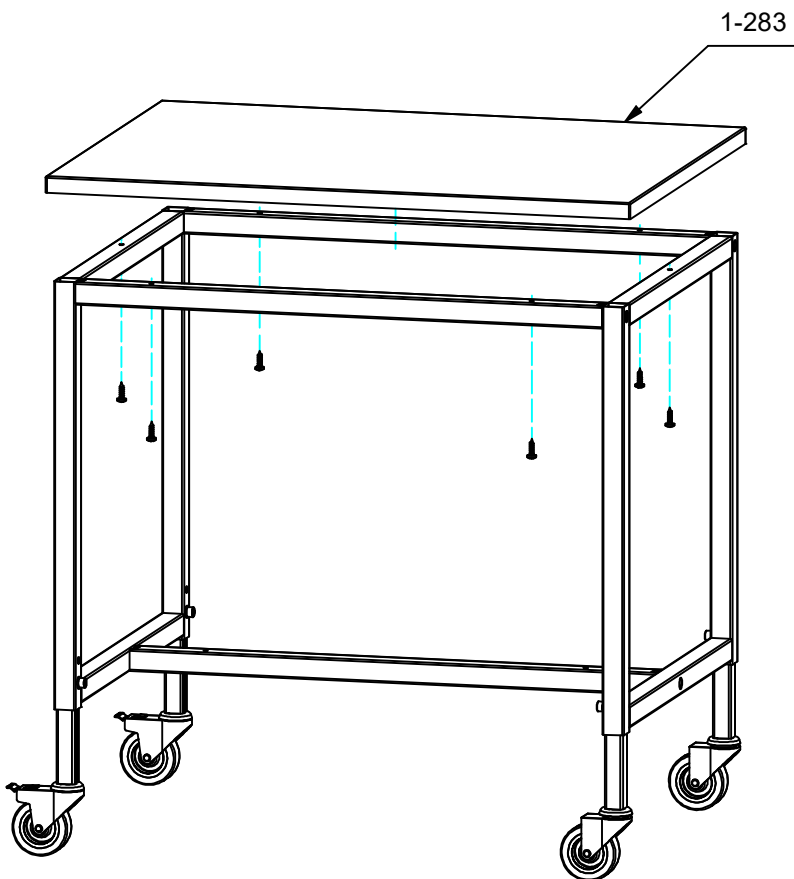


3



x6

MC6S M8x20



4



x6

TRX 4,5x16



A large, stylized version of the 'WFI' logo. The 'W' is composed of three dark grey slanted bars. The 'F' is a solid black block with two horizontal bars. The 'I' is a solid black vertical bar.

WORKPLACES FOR INDUSTRIES



www.wfiab.se

