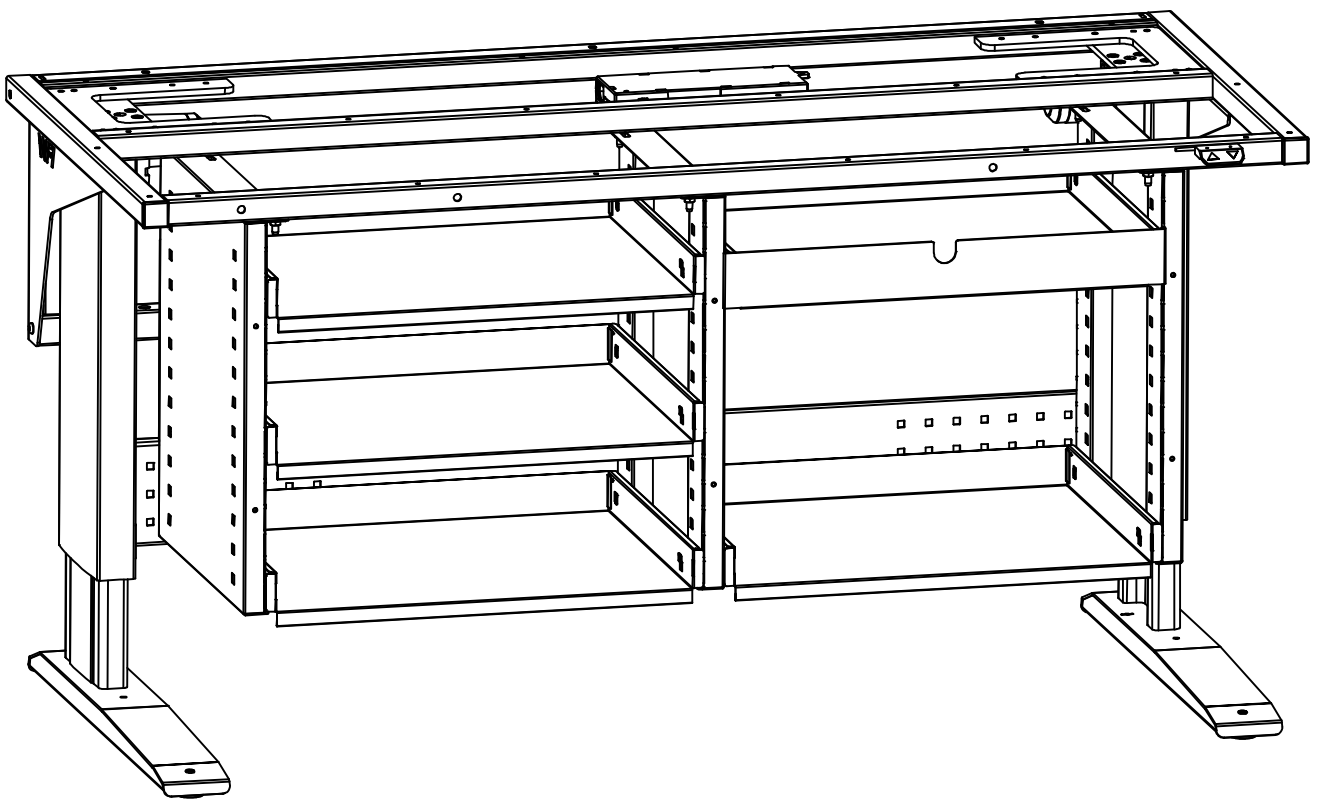
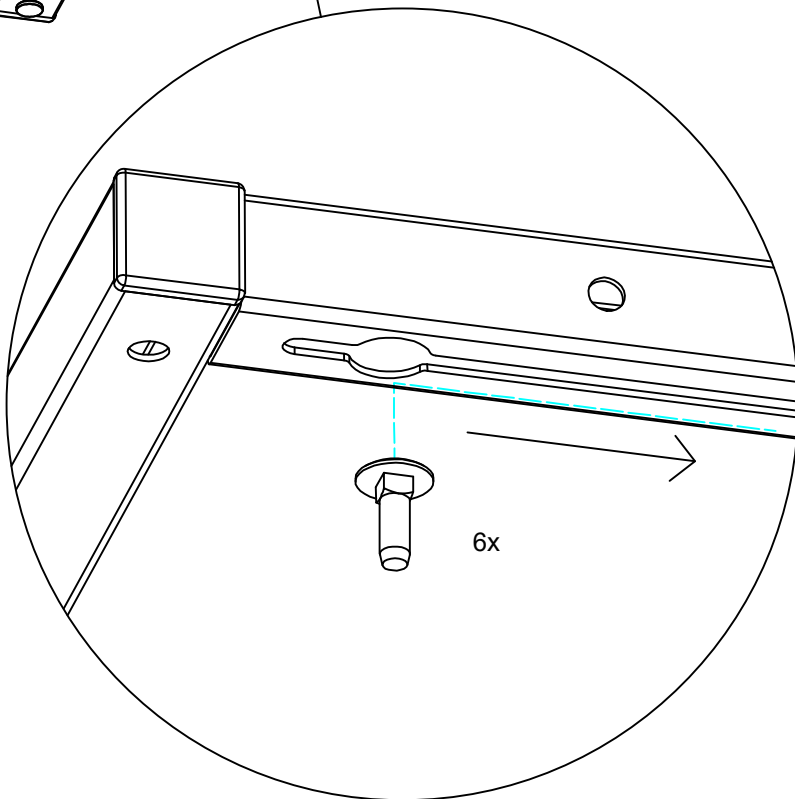
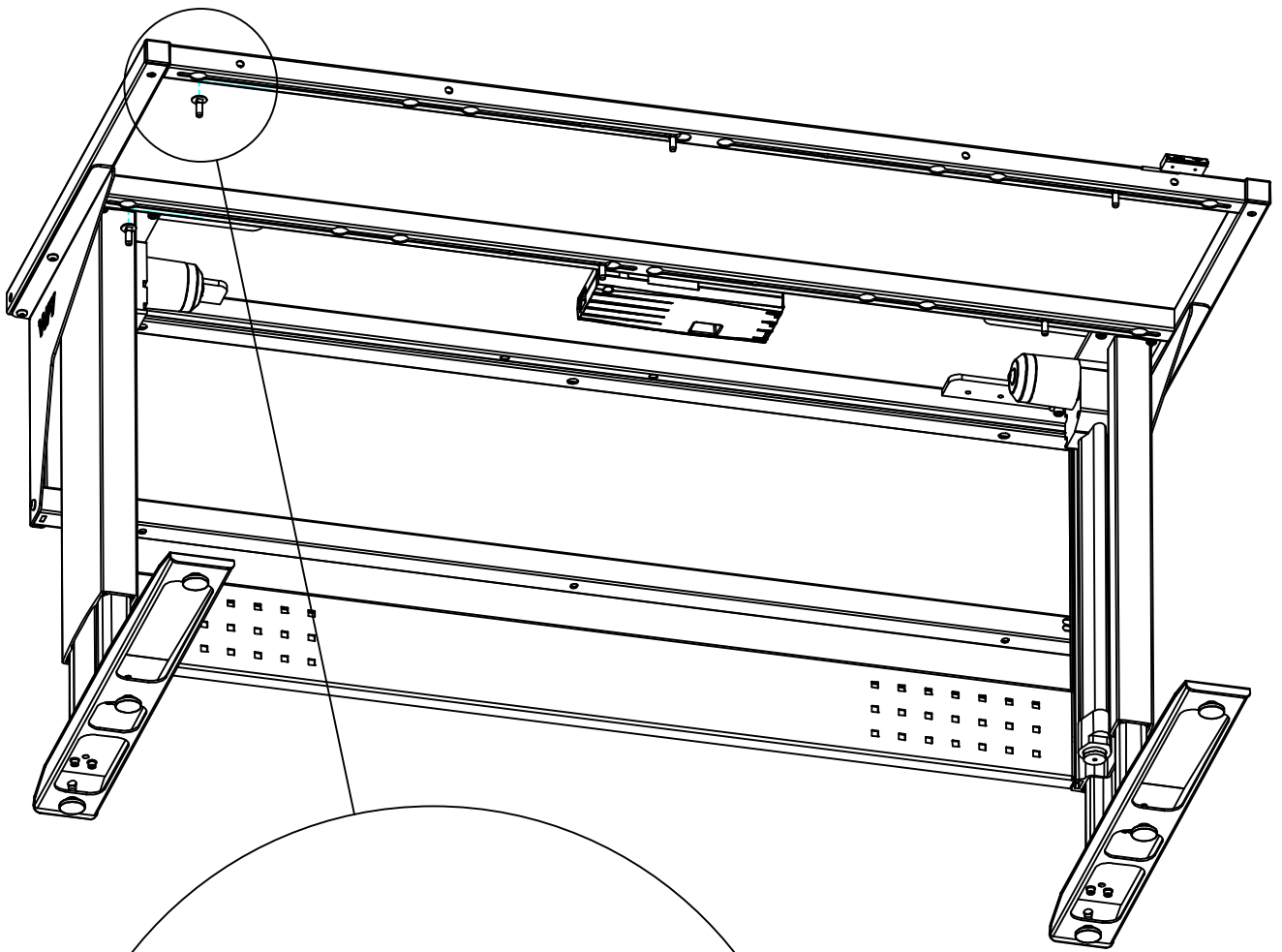
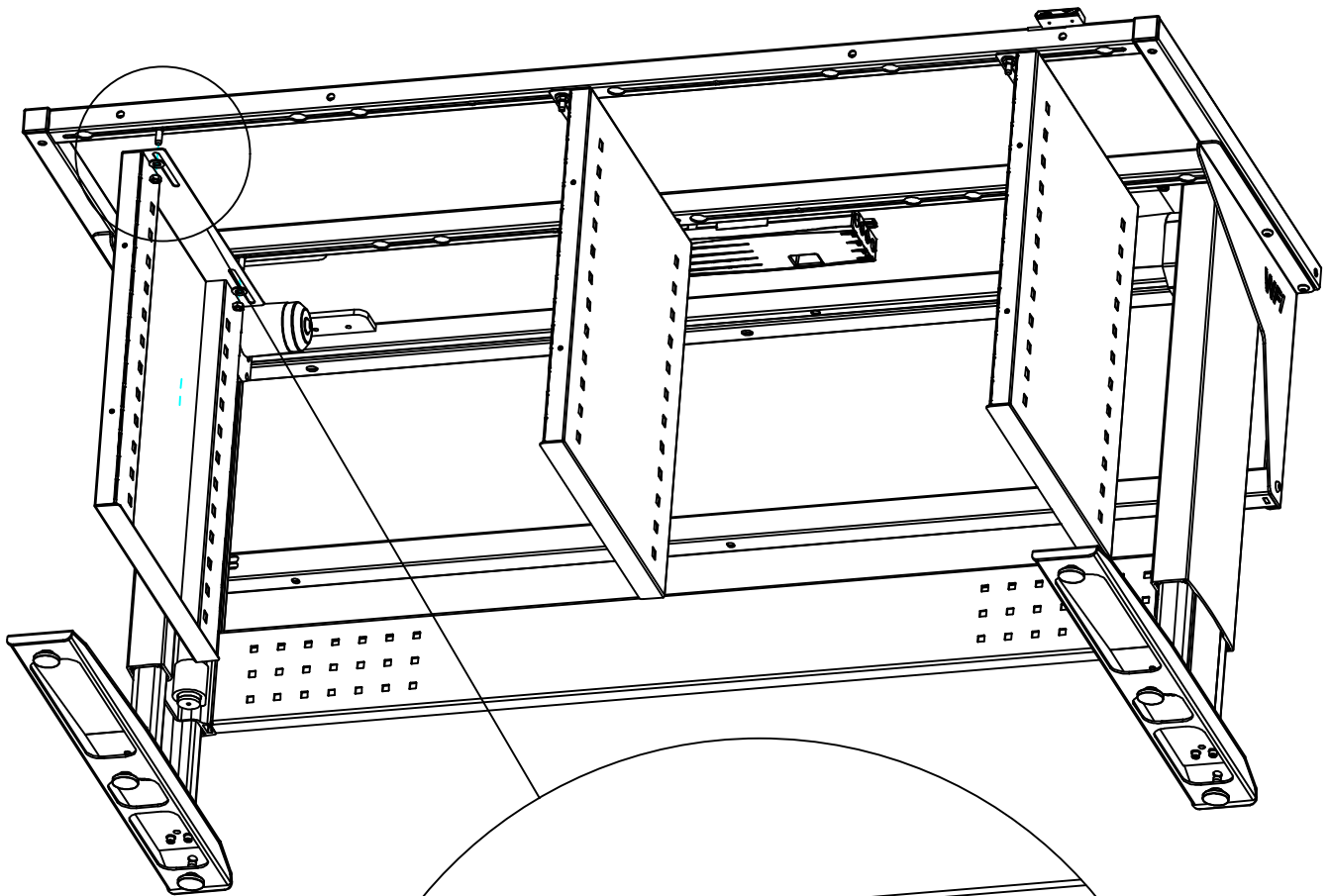


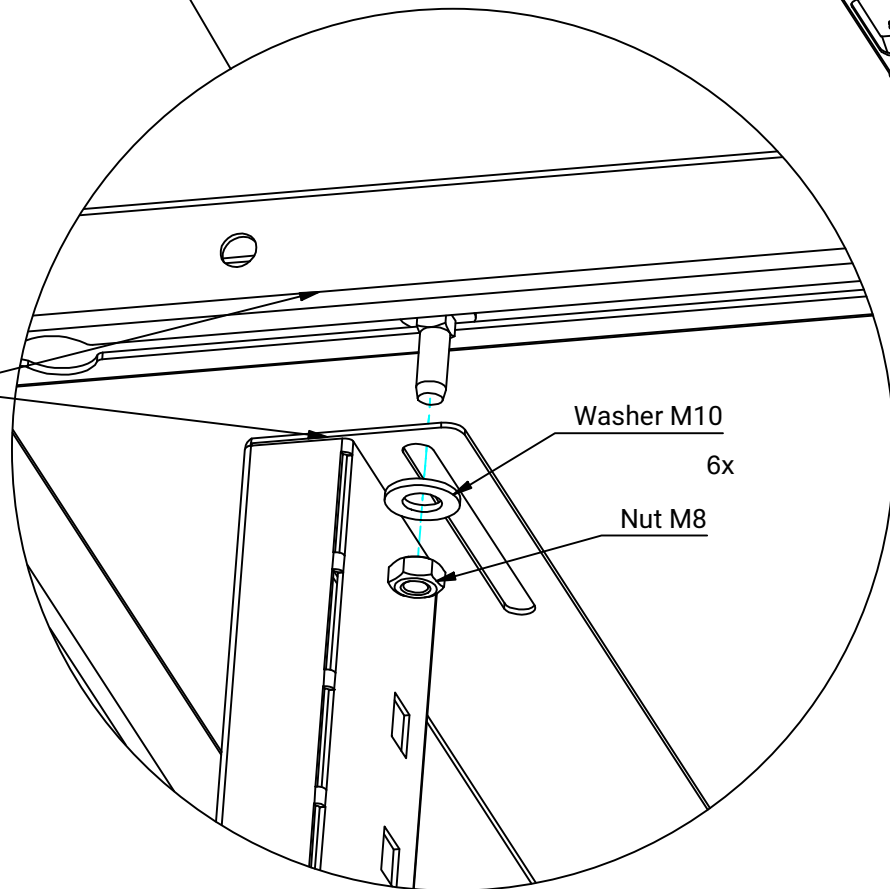
Lower drawer shelf for W375







Edge of gable aligned
to edge of C-profile

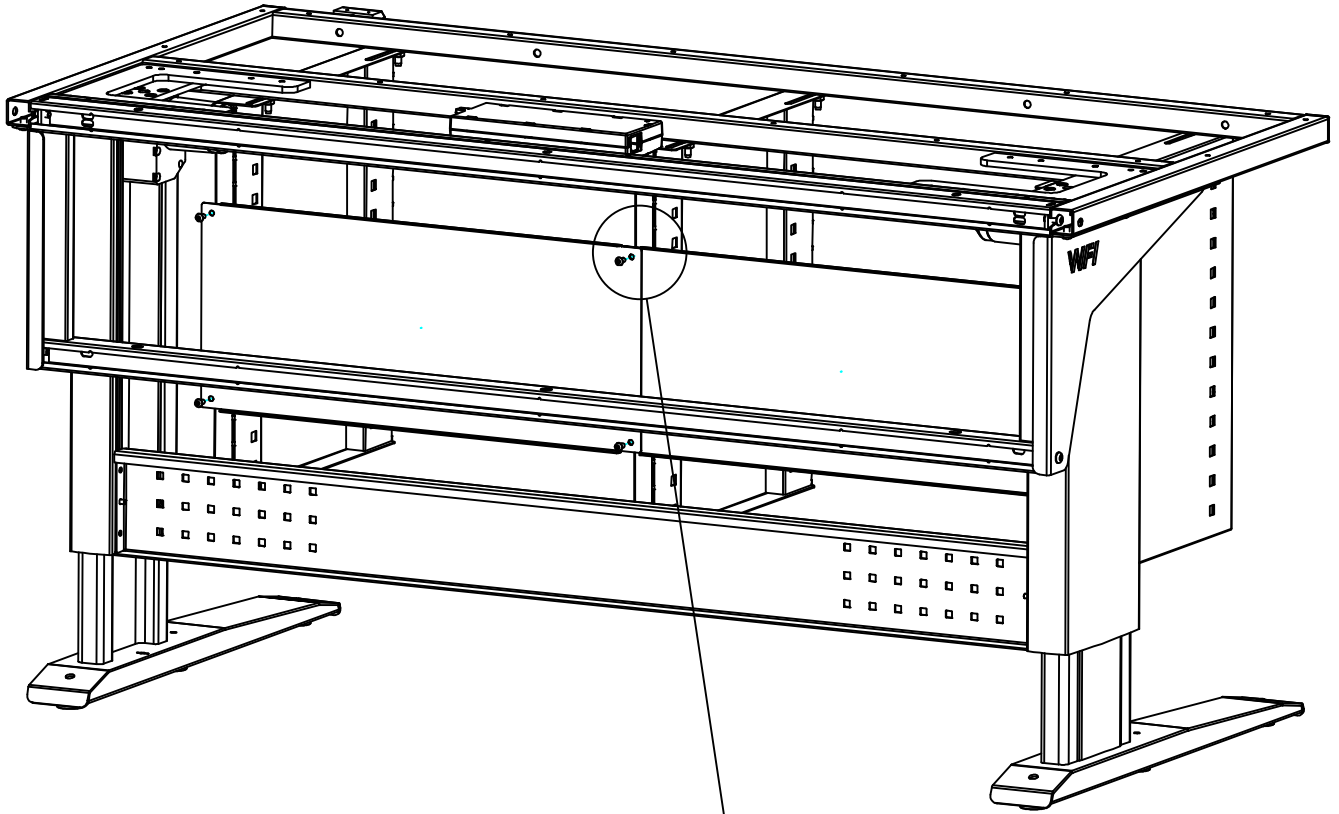


Washer M10

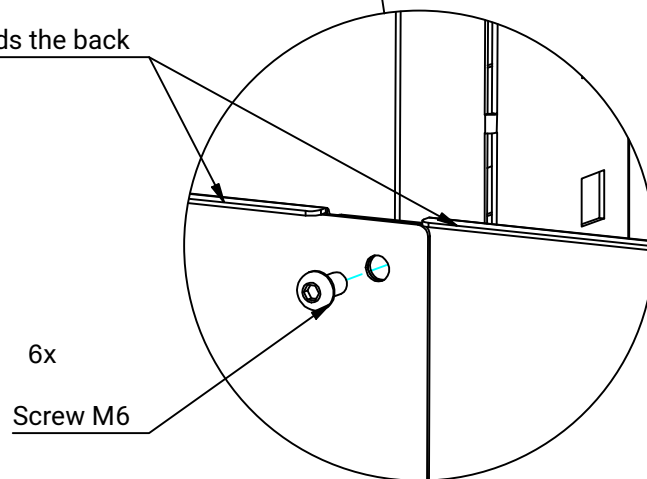
6x

Nut M8



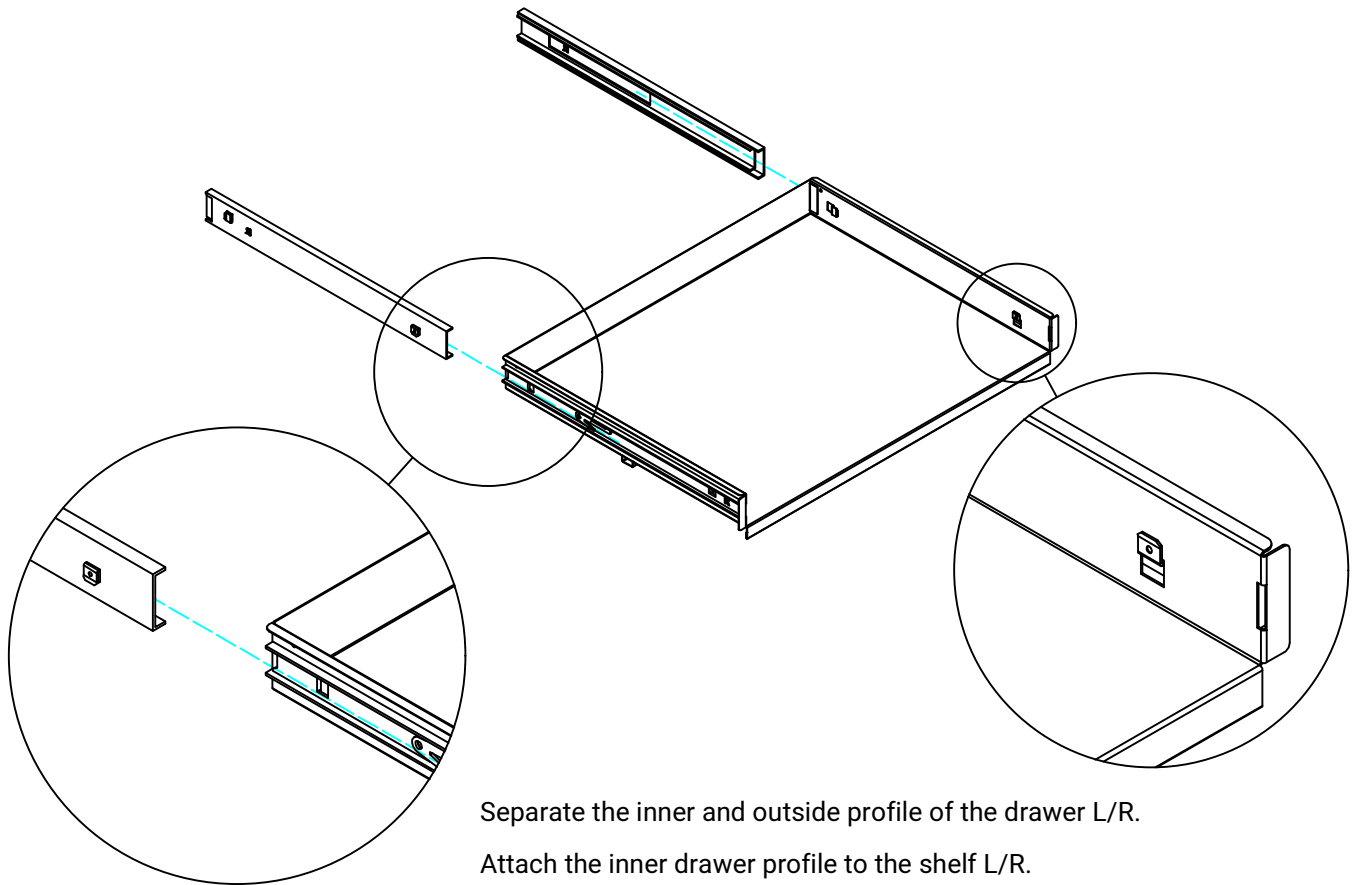


Flanges of the backplate towards the back



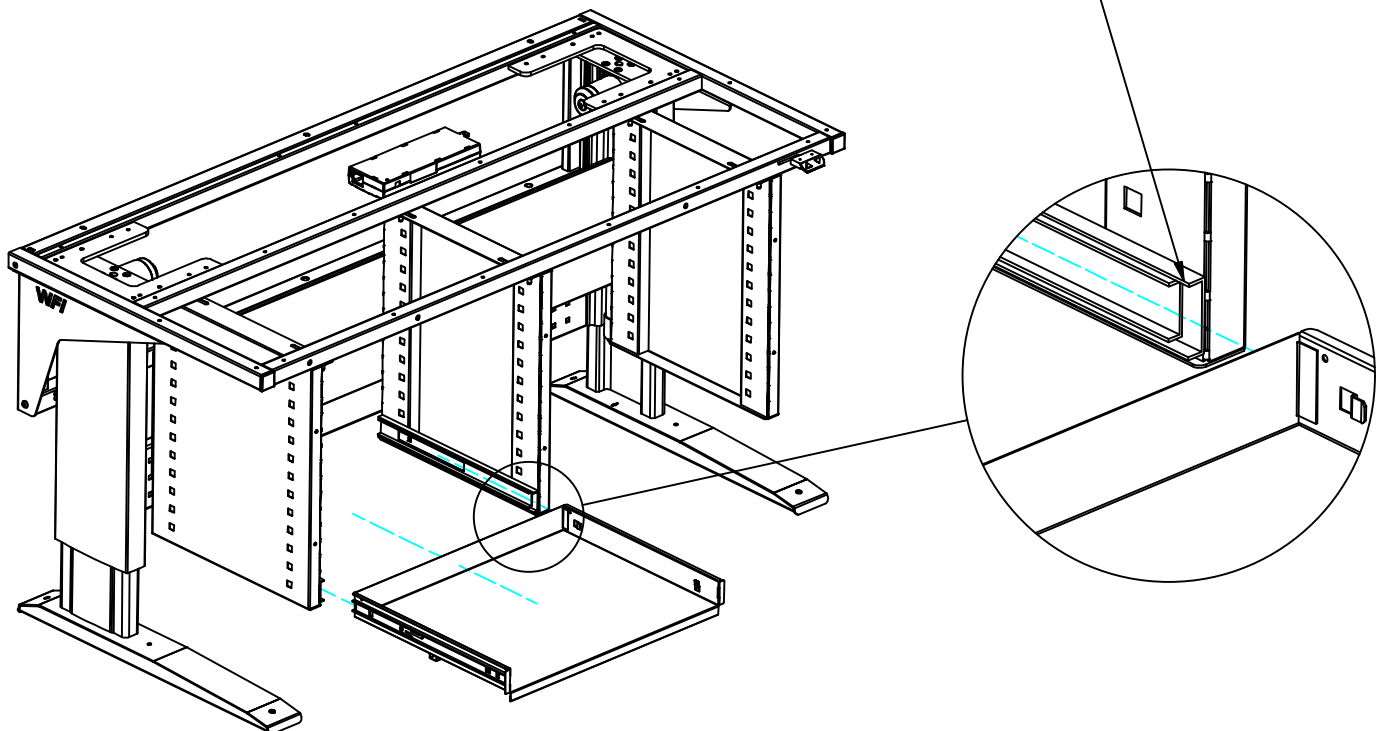
6x

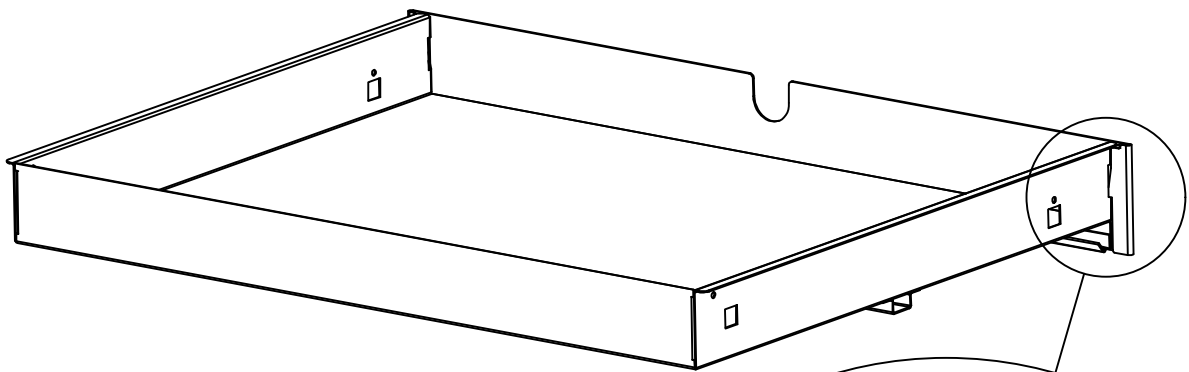
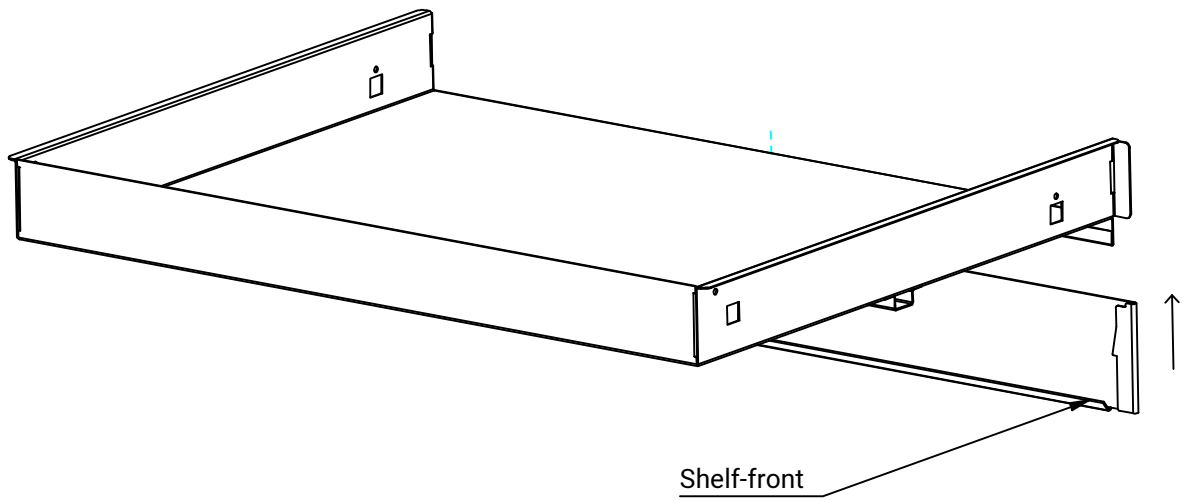
Screw M6



Separate the inner and outside profile of the drawer L/R.
Attach the inner drawer profile to the shelf L/R.

Attach the outer drawer profiles to the gables L/R.
Insert the shelf with the inner drawer profiles.





The shelf-front snaps into the slots of the shelf

