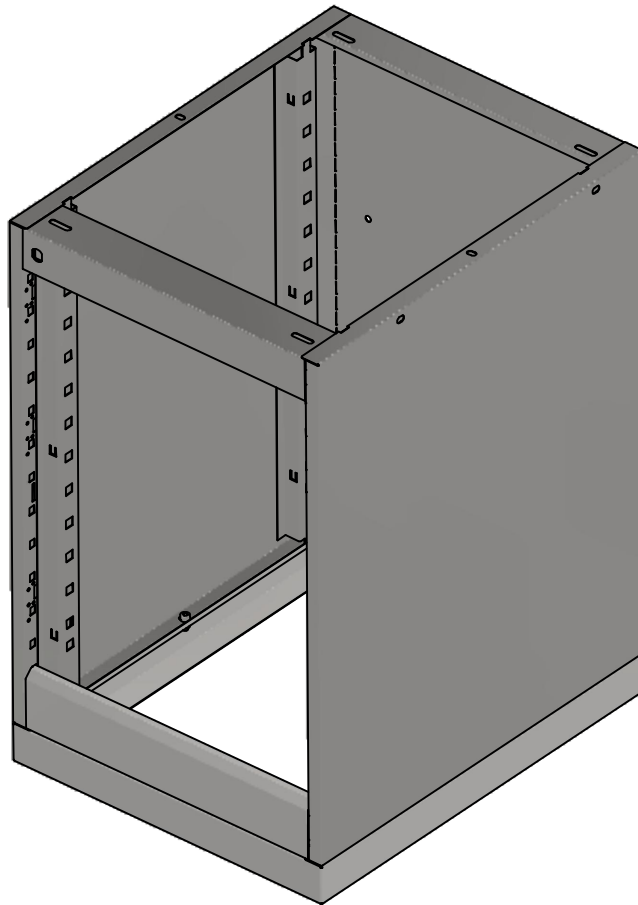
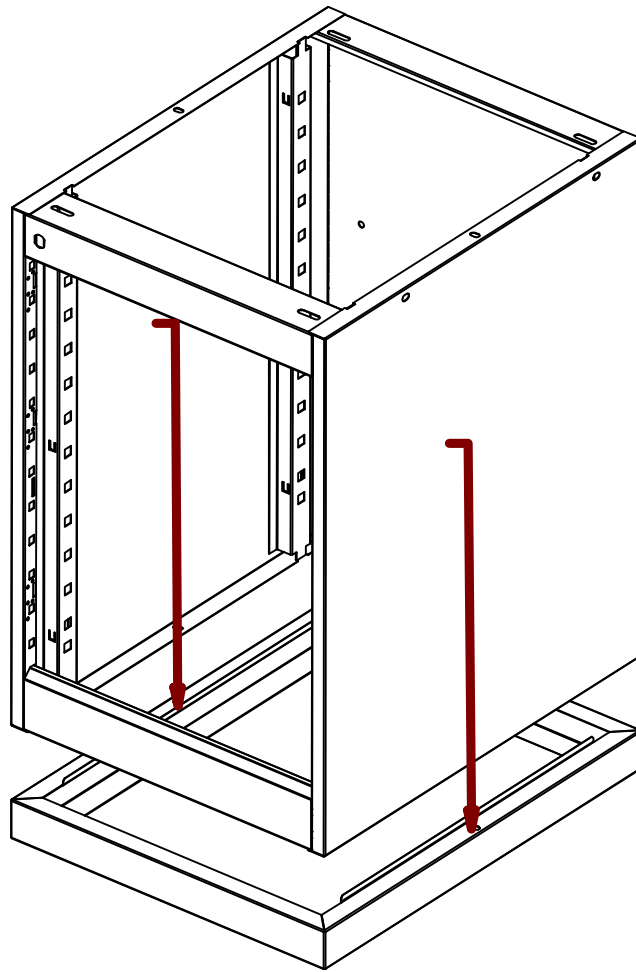


# 4-464

## Base for drawer unit



1



2

