

M8x16  
2x



M8x16  
8x



6,0x16  
3x



M6x12  
8x



4,8x16  
4x



8,4x16x1,6  
20x



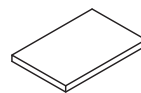
6,4x12x1,5  
12x



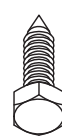
M8  
8x



M6  
8x



Doppelhaftende Tejp  
4x

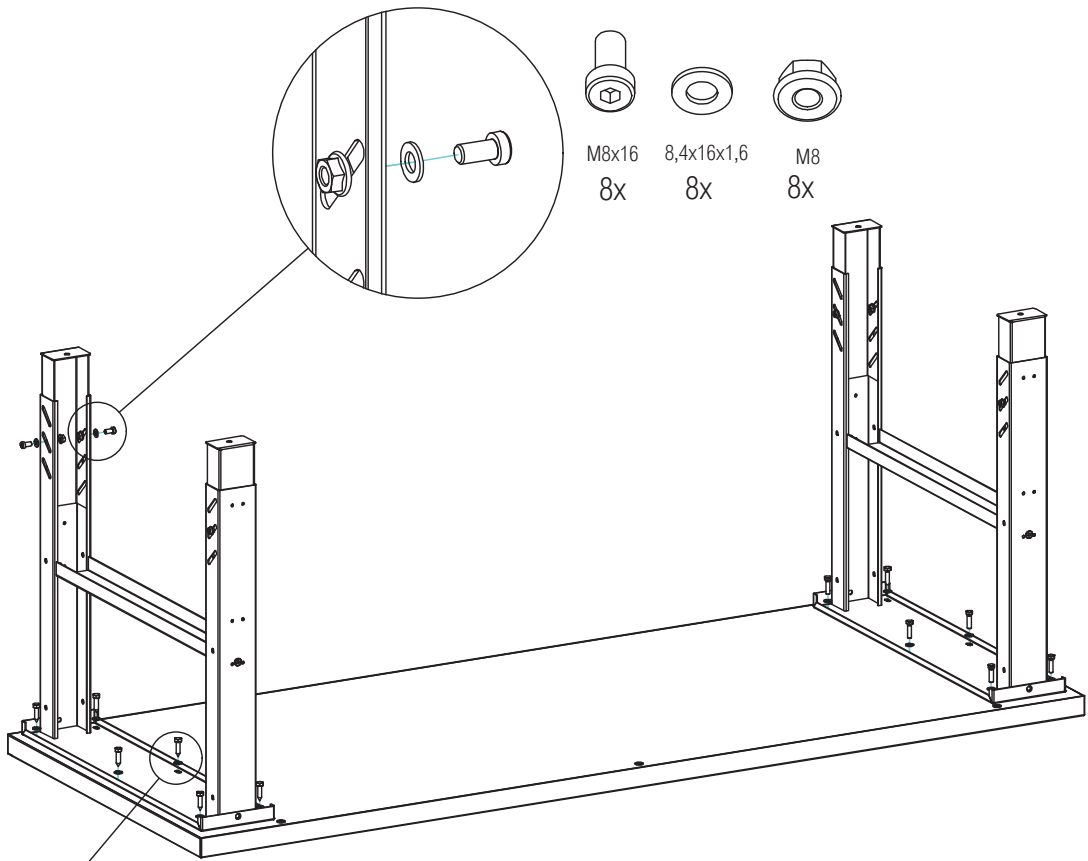


8x30  
12x

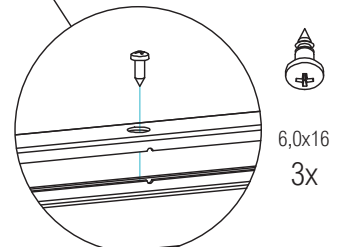
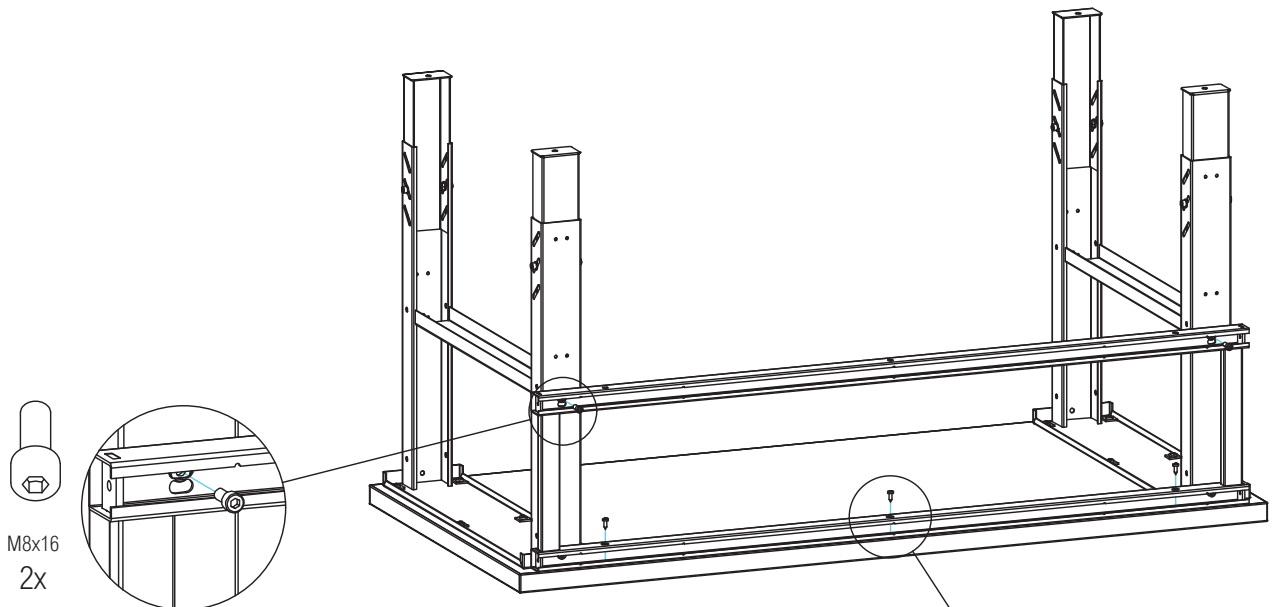
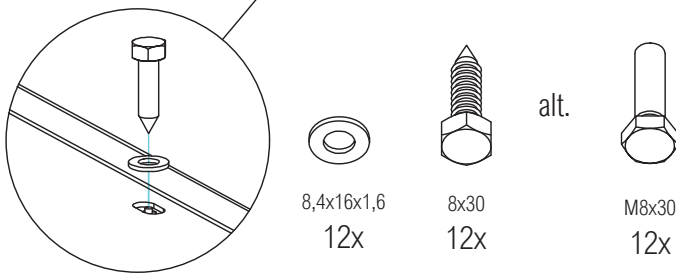


M8x30  
12x

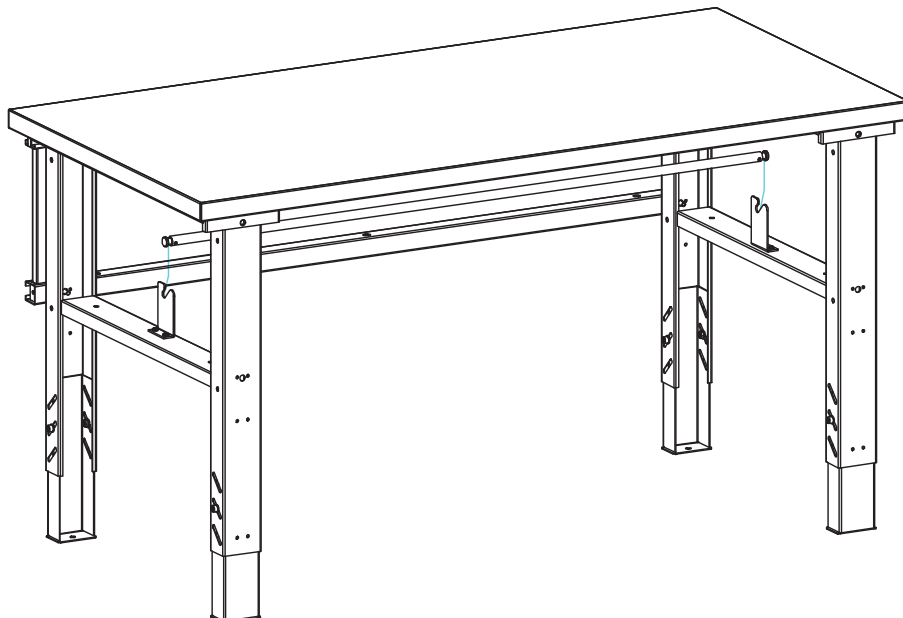
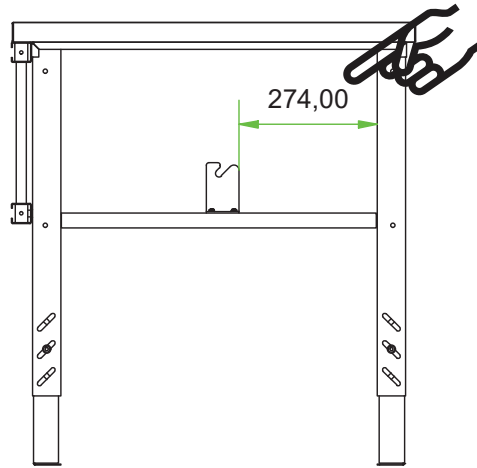
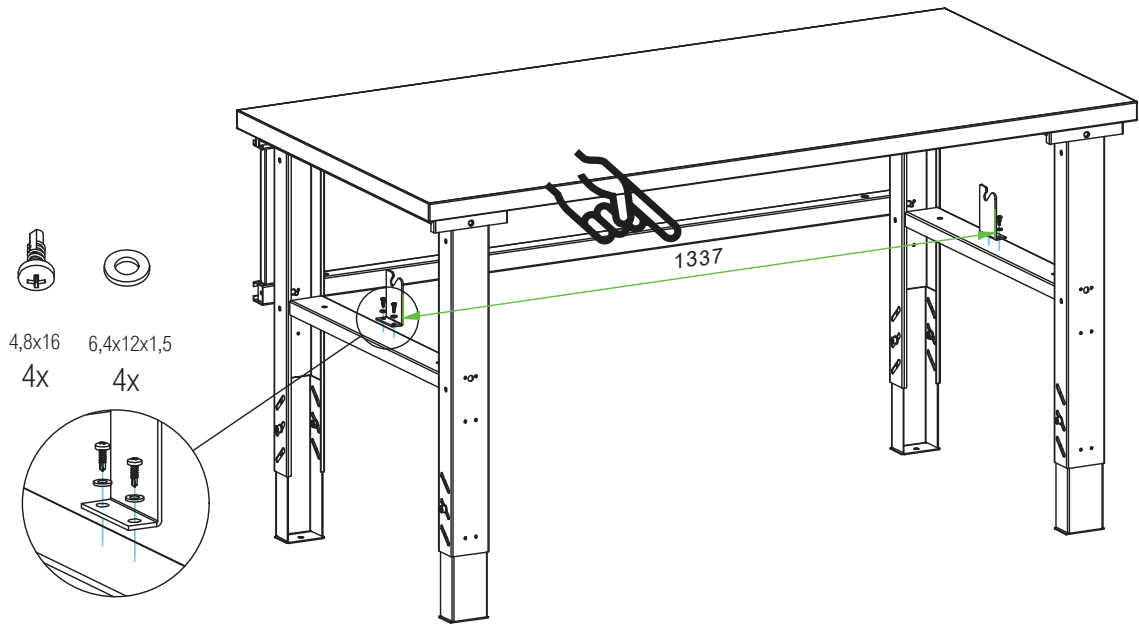
1

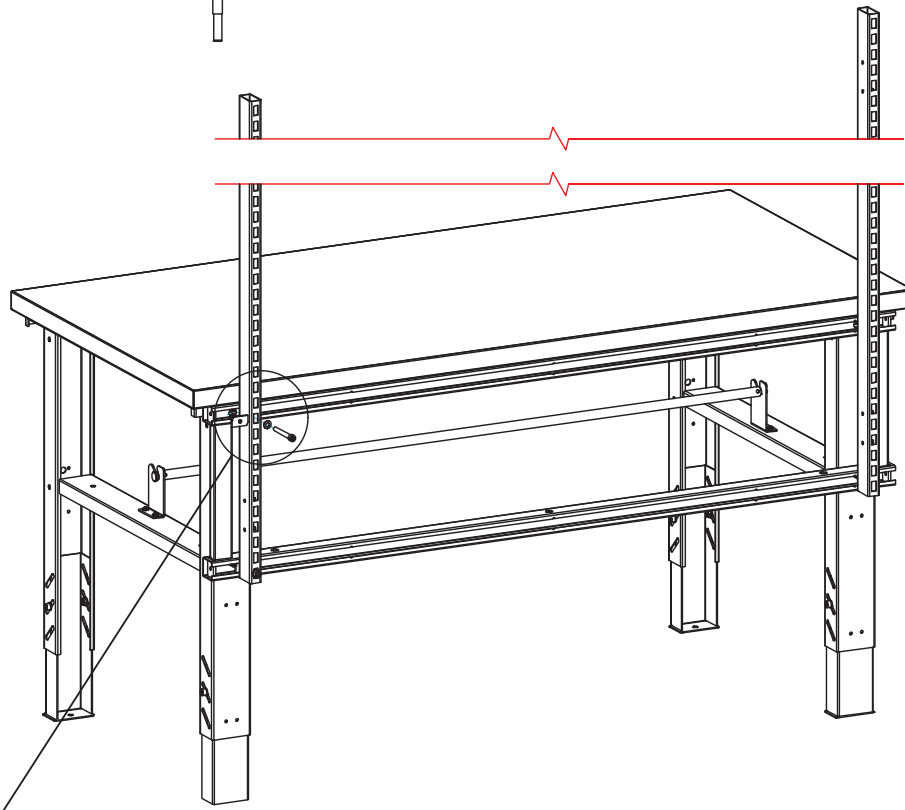
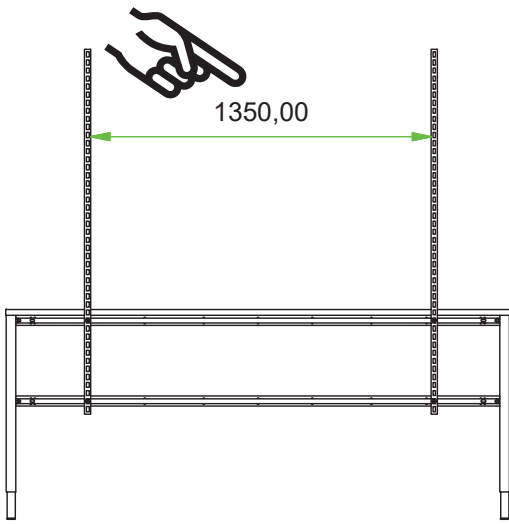


2

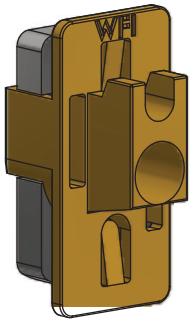


3





**5**



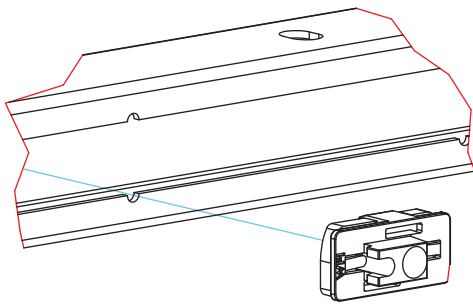
See mounting instructions for art 3-250-0 on next page.

# 3-250-0

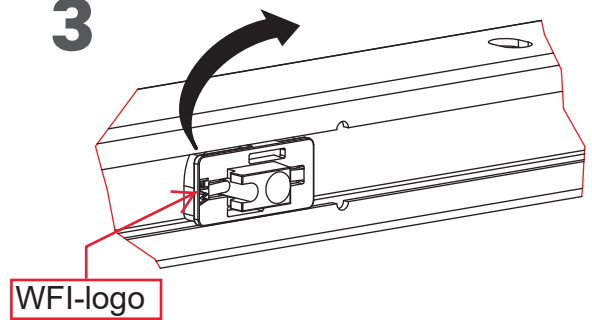
1



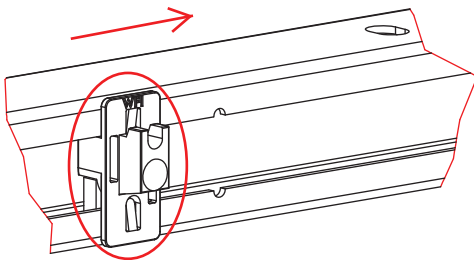
2



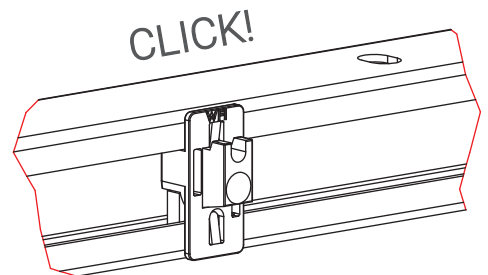
3



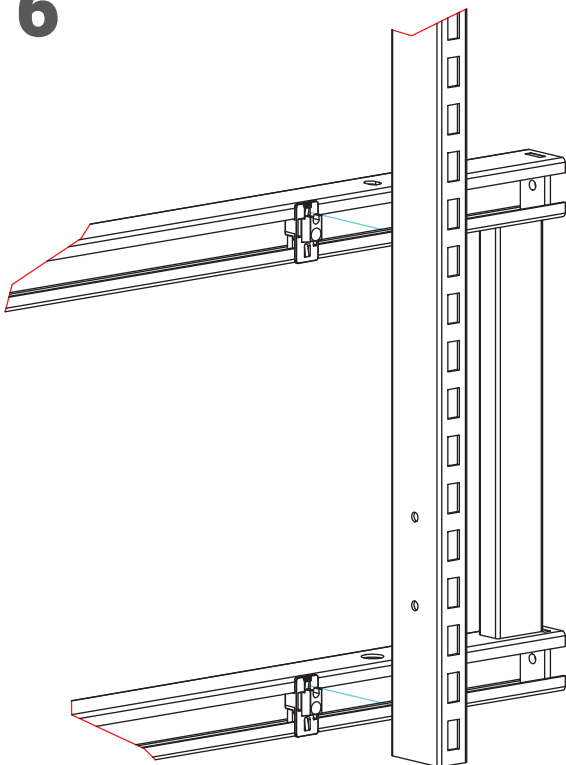
4



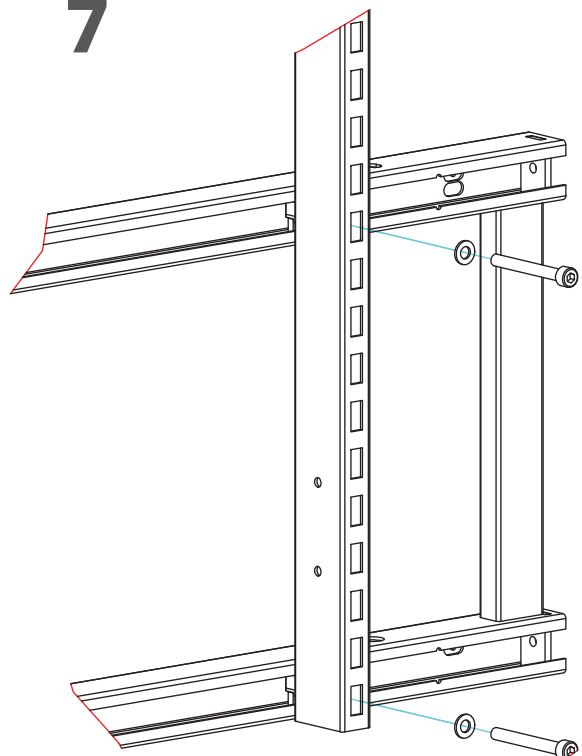
5



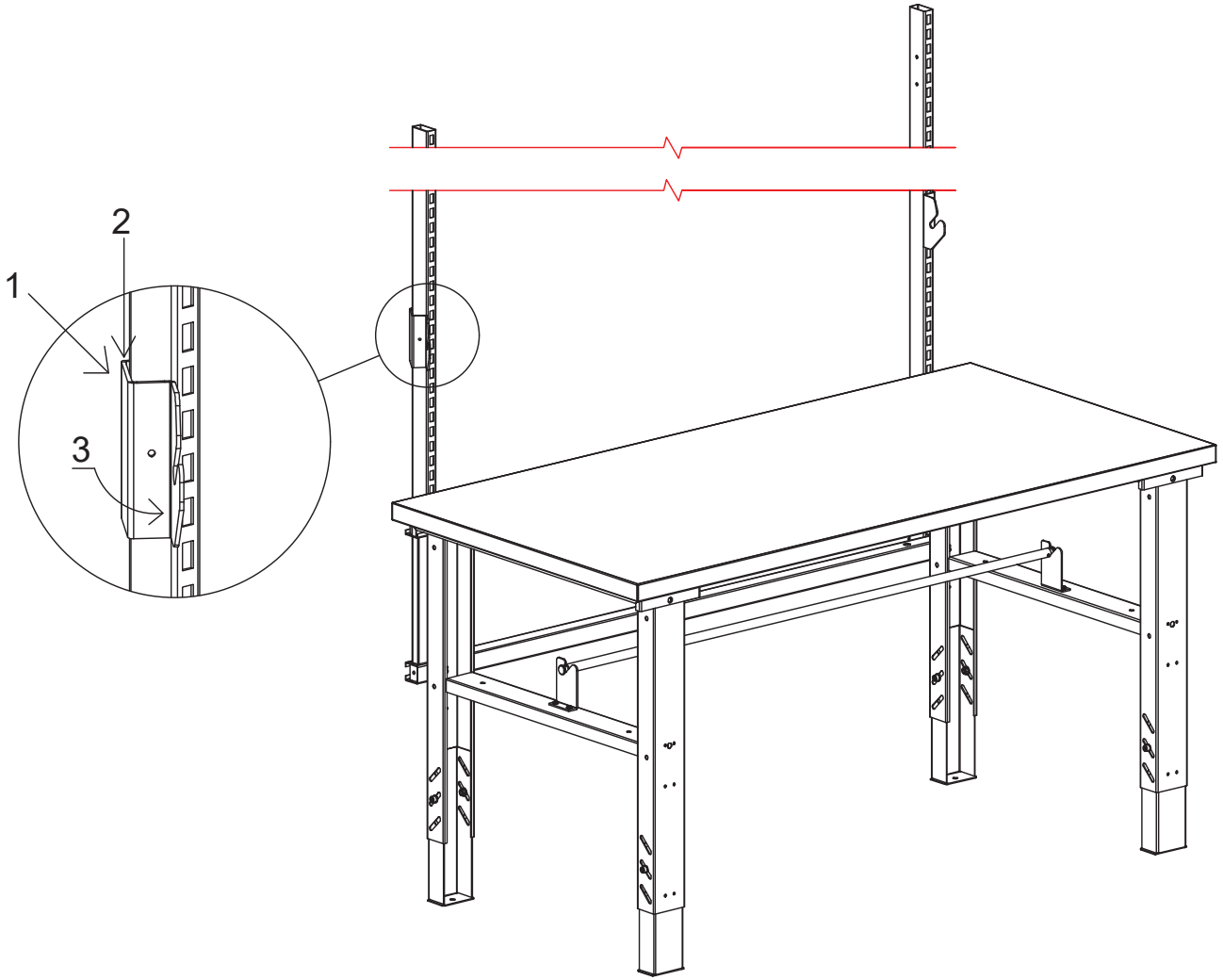
6



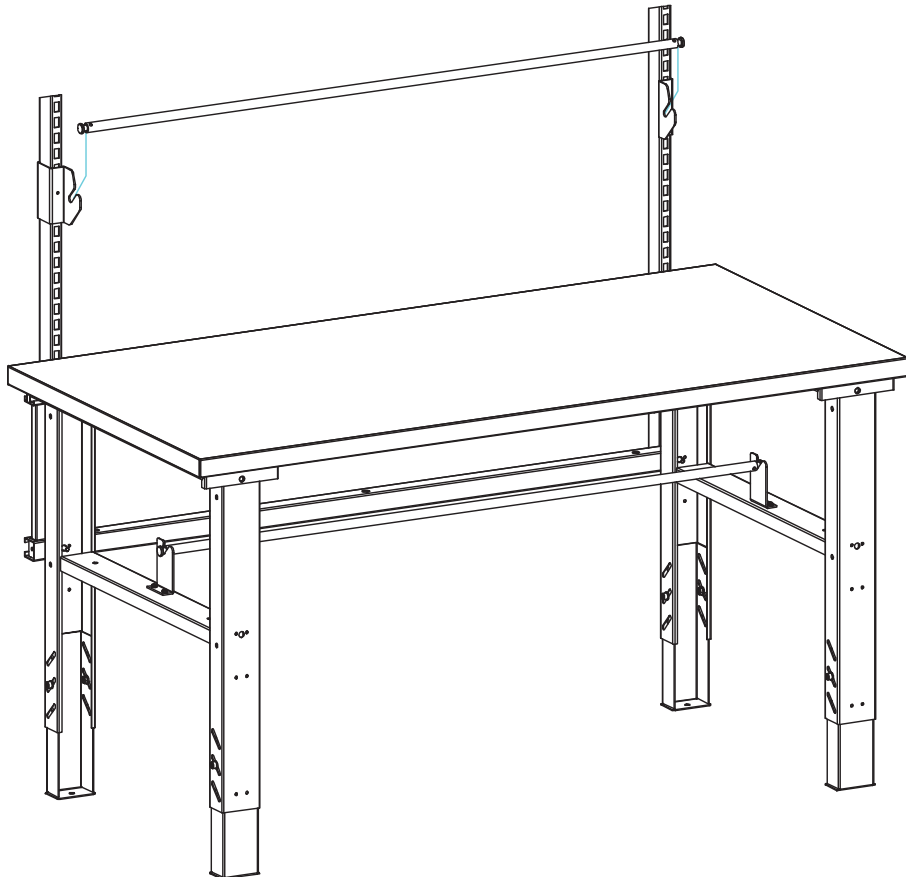
7



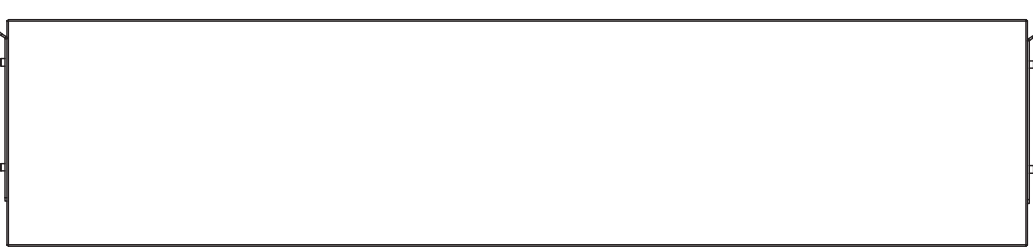
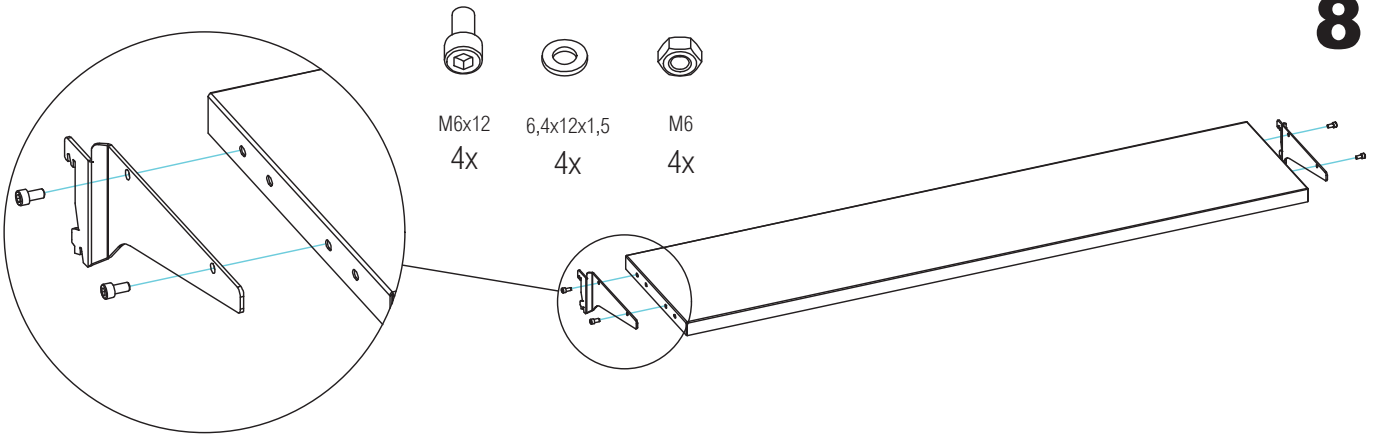
6



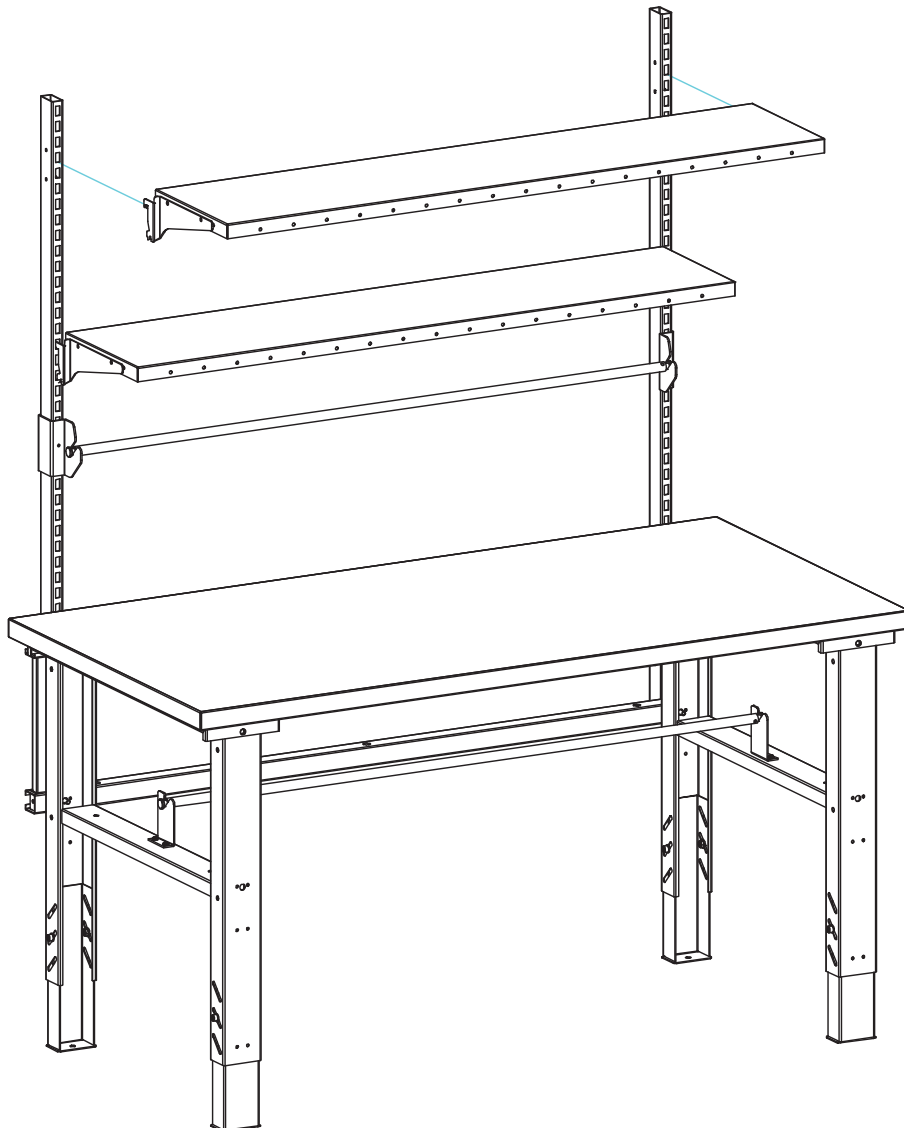
7



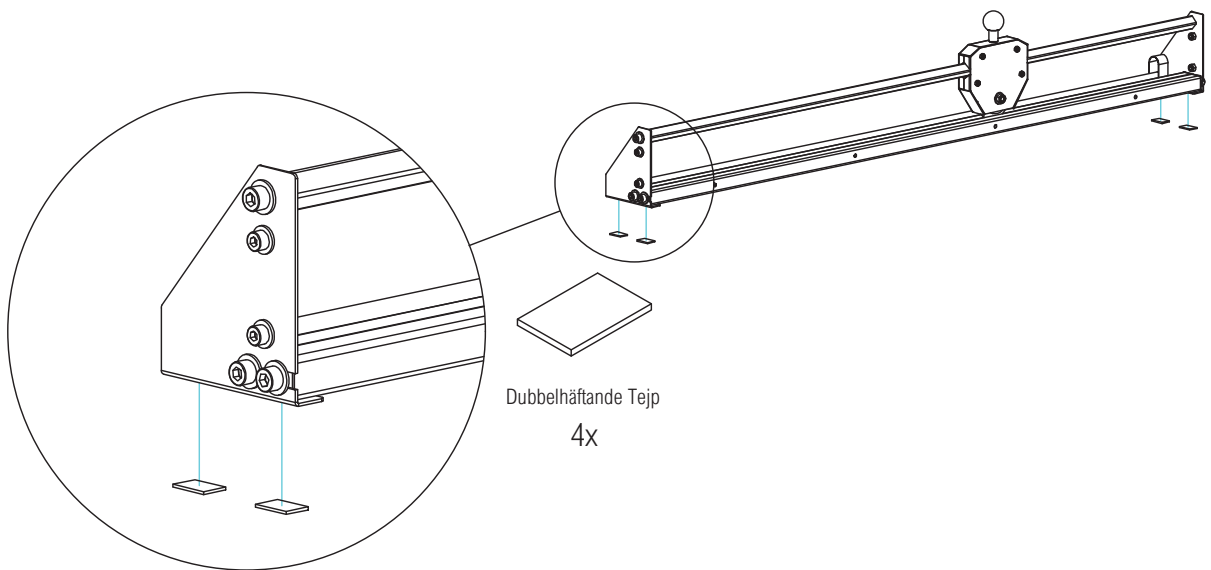
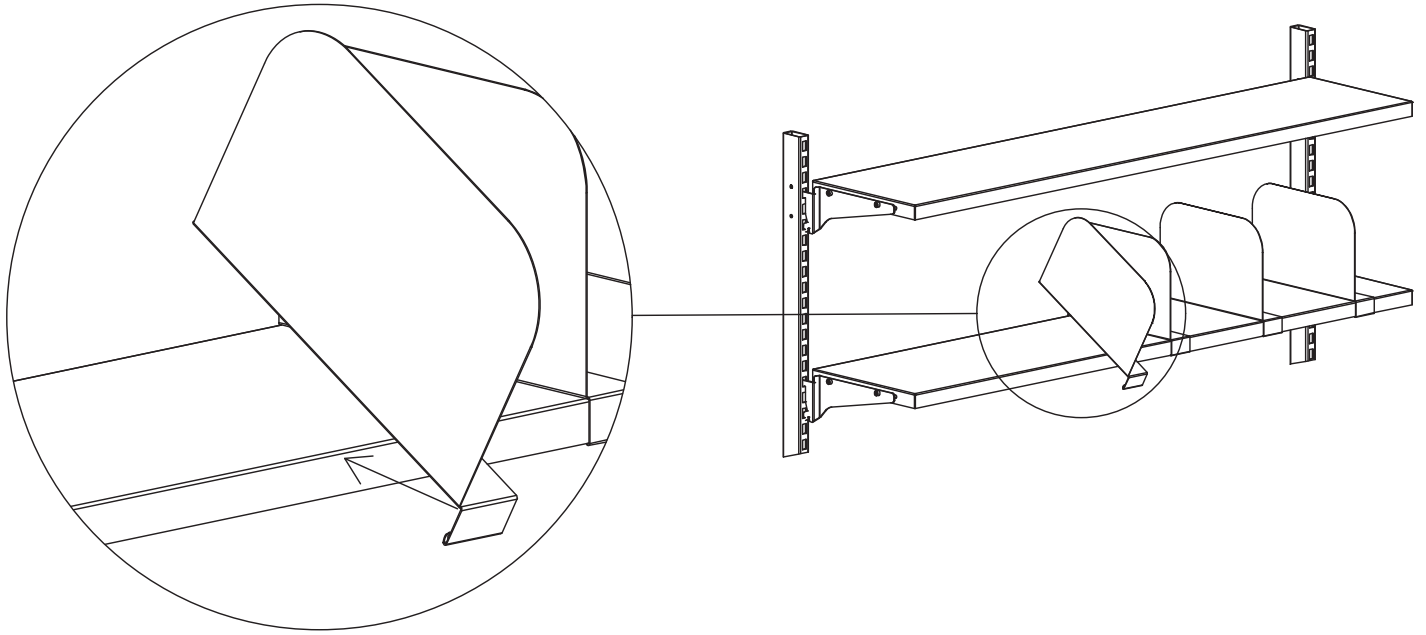
8

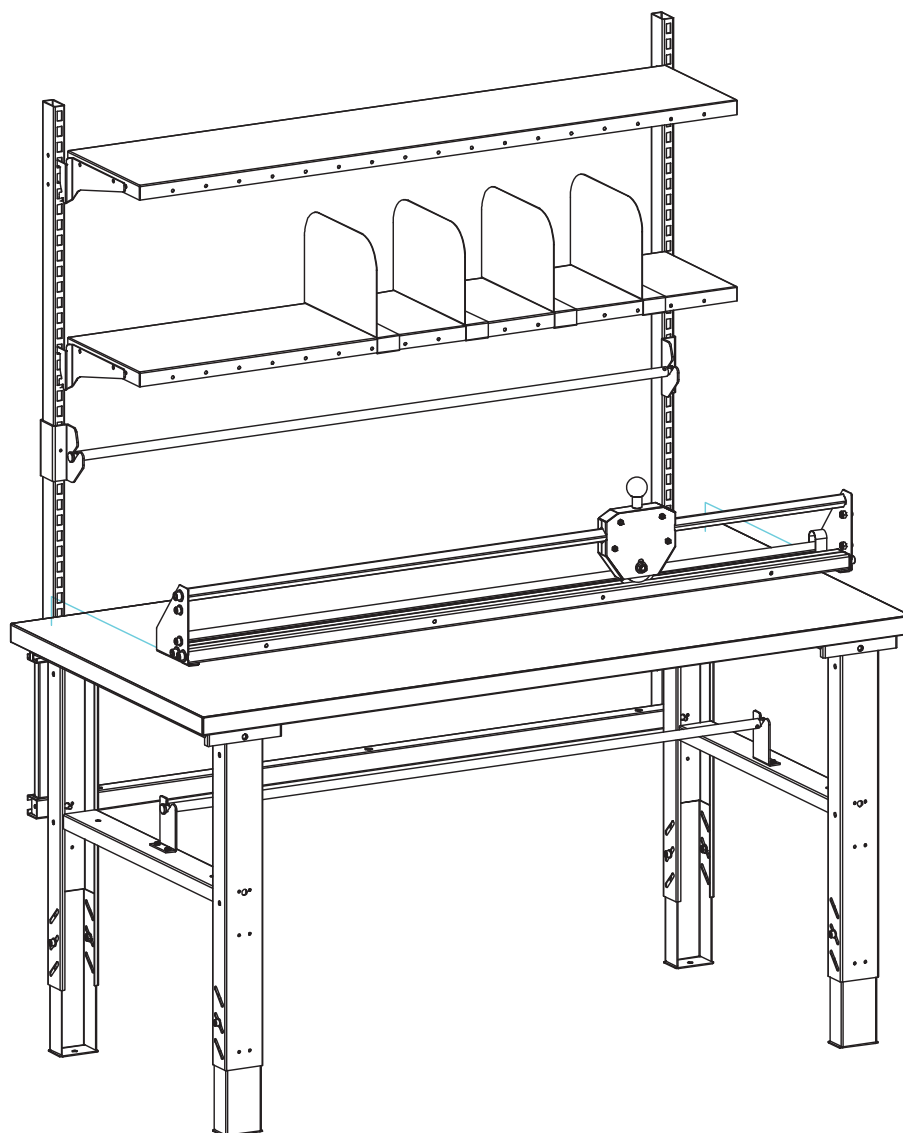


9









**WFI**

**WORKPLACES FOR INDUSTRIES**



[www.wfiab.se](http://www.wfiab.se)