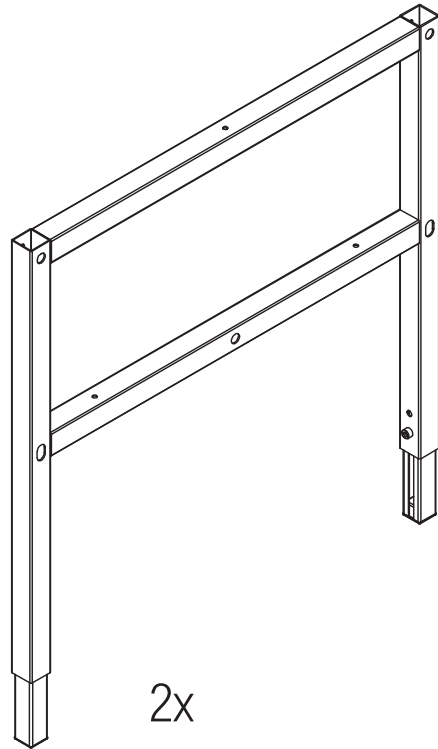


1x

3x



2x



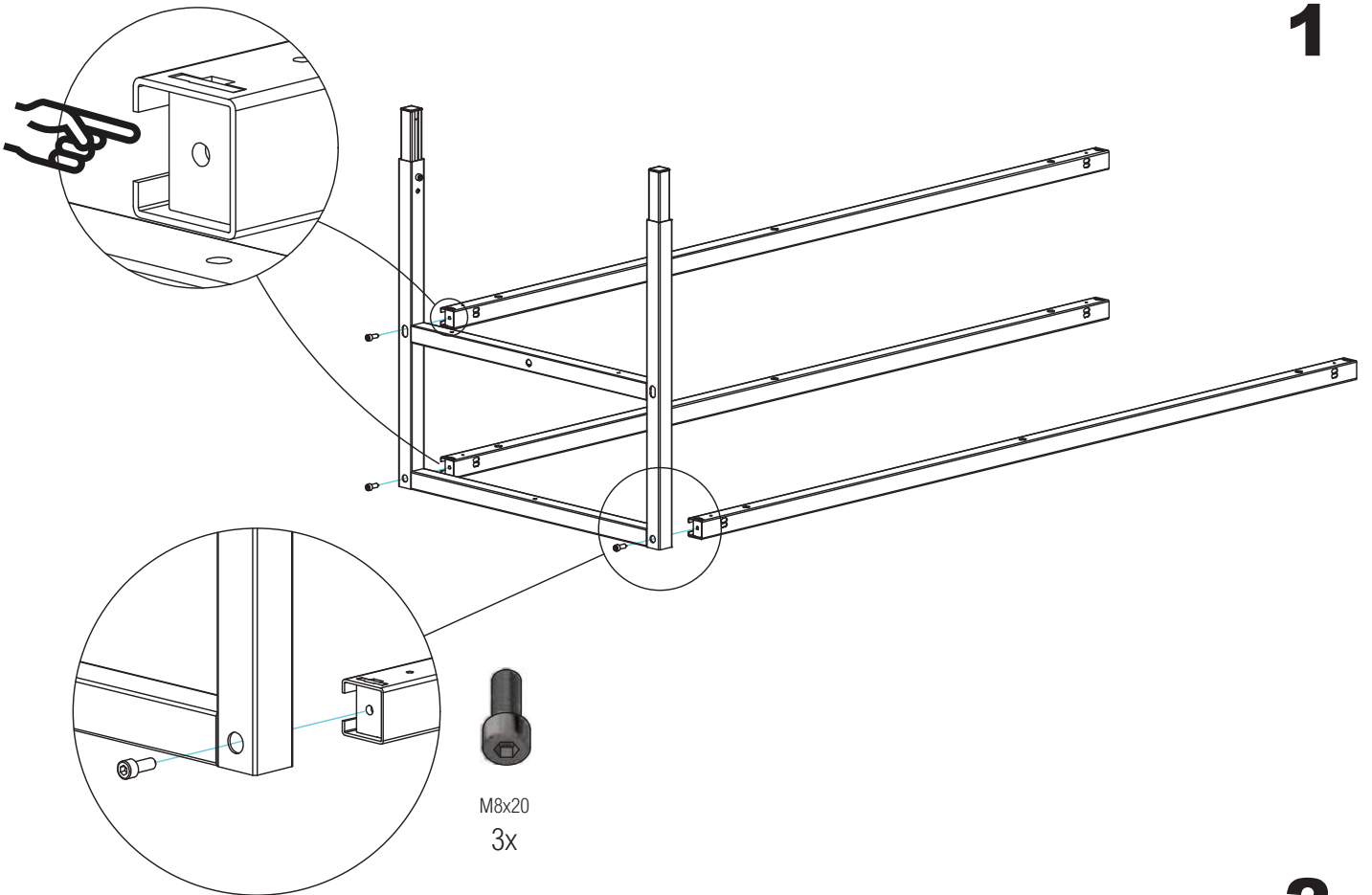
M8x20
6x



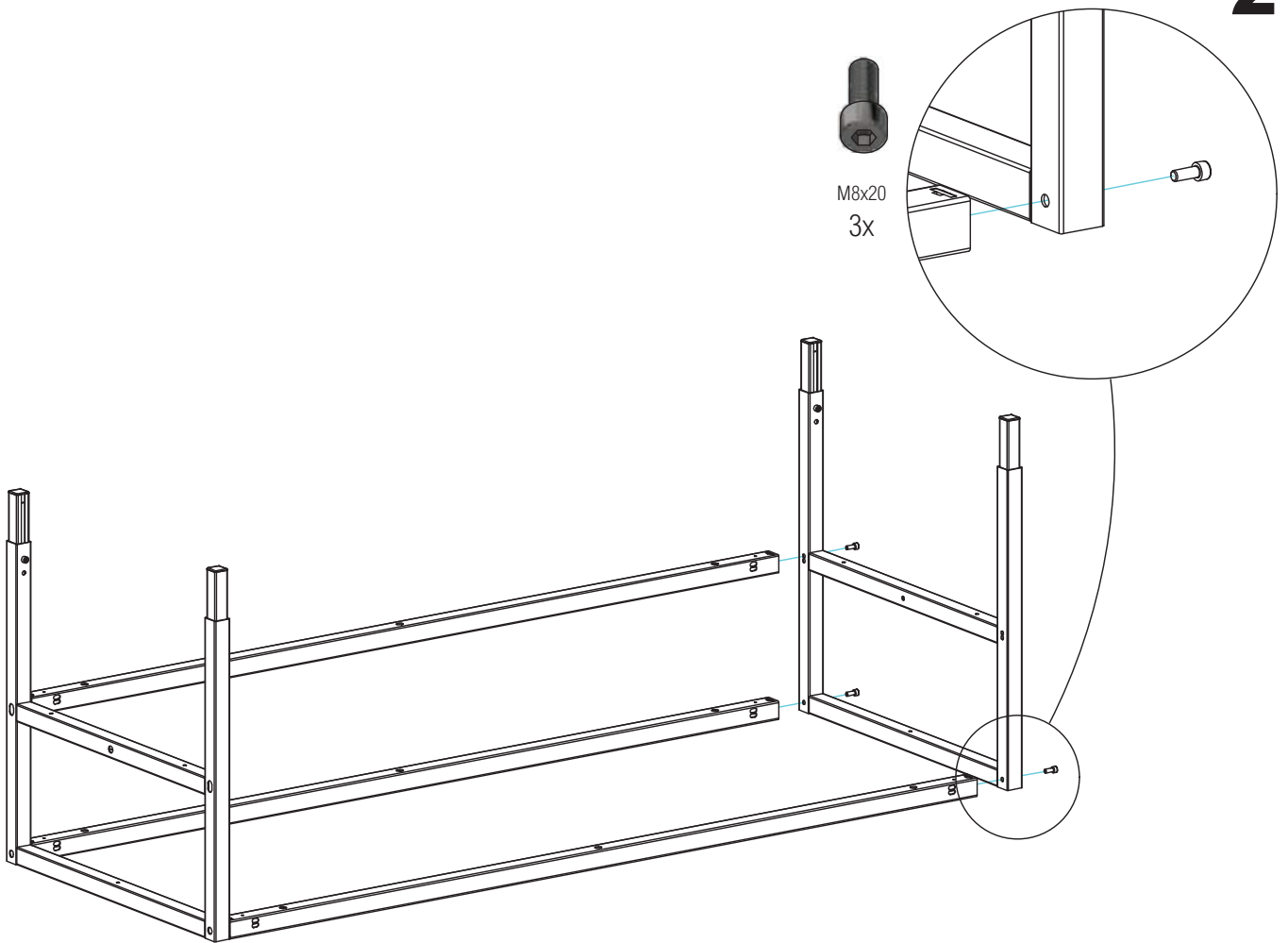
6,0x16
6x



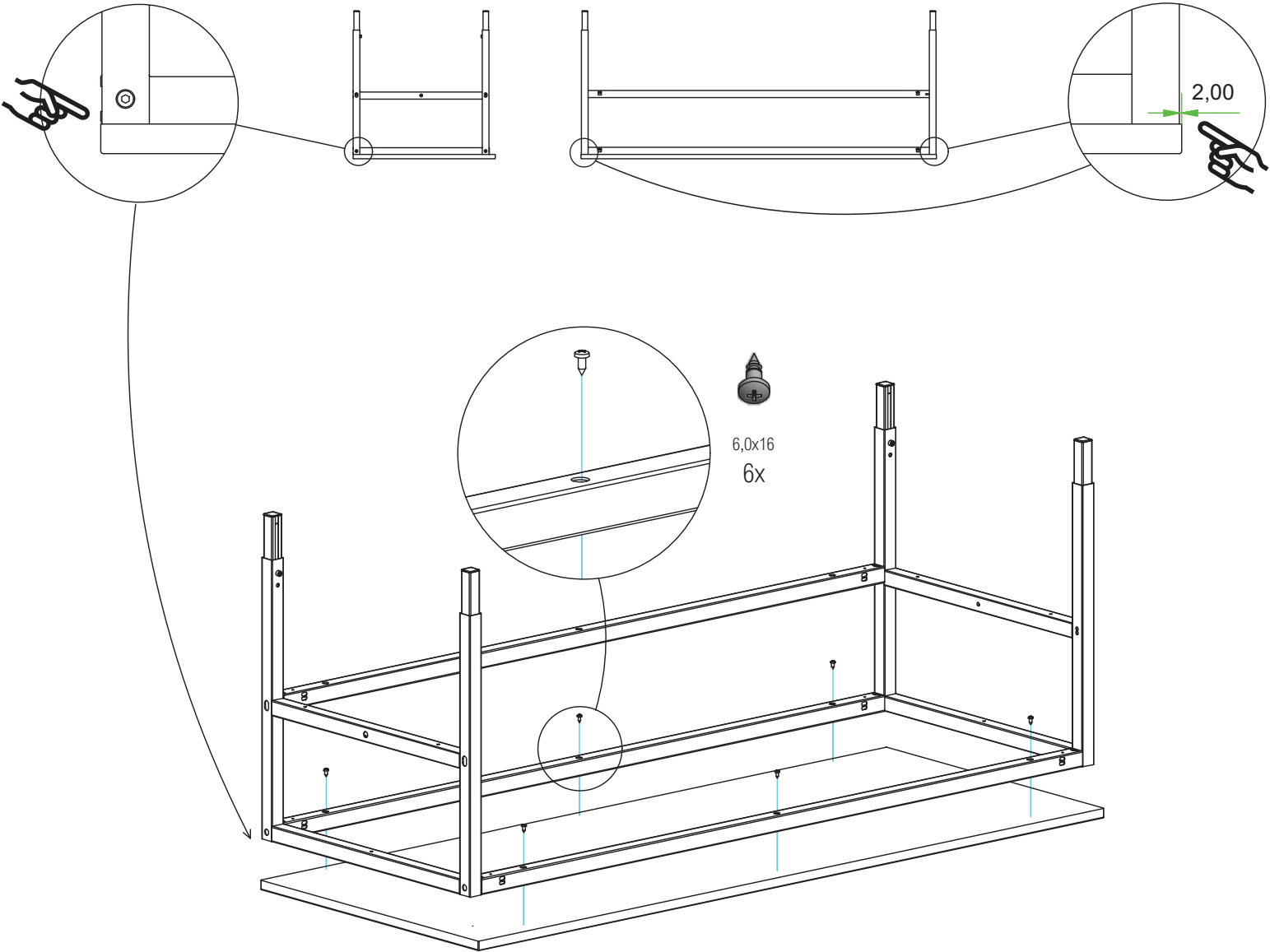
1



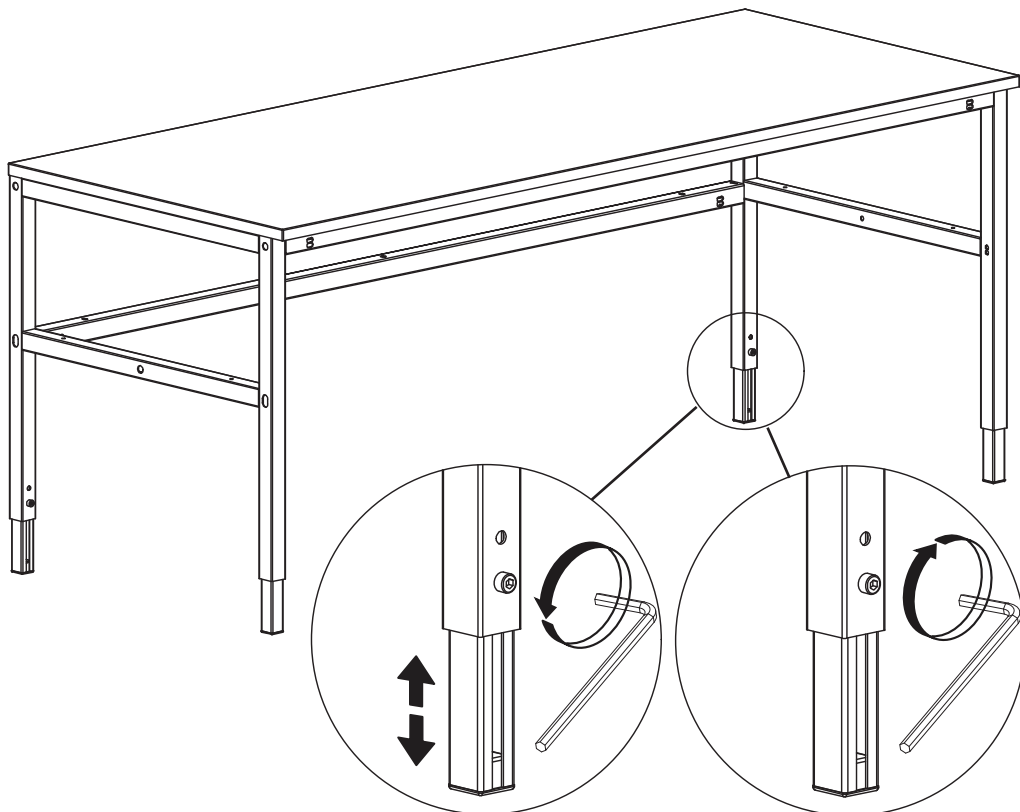
2



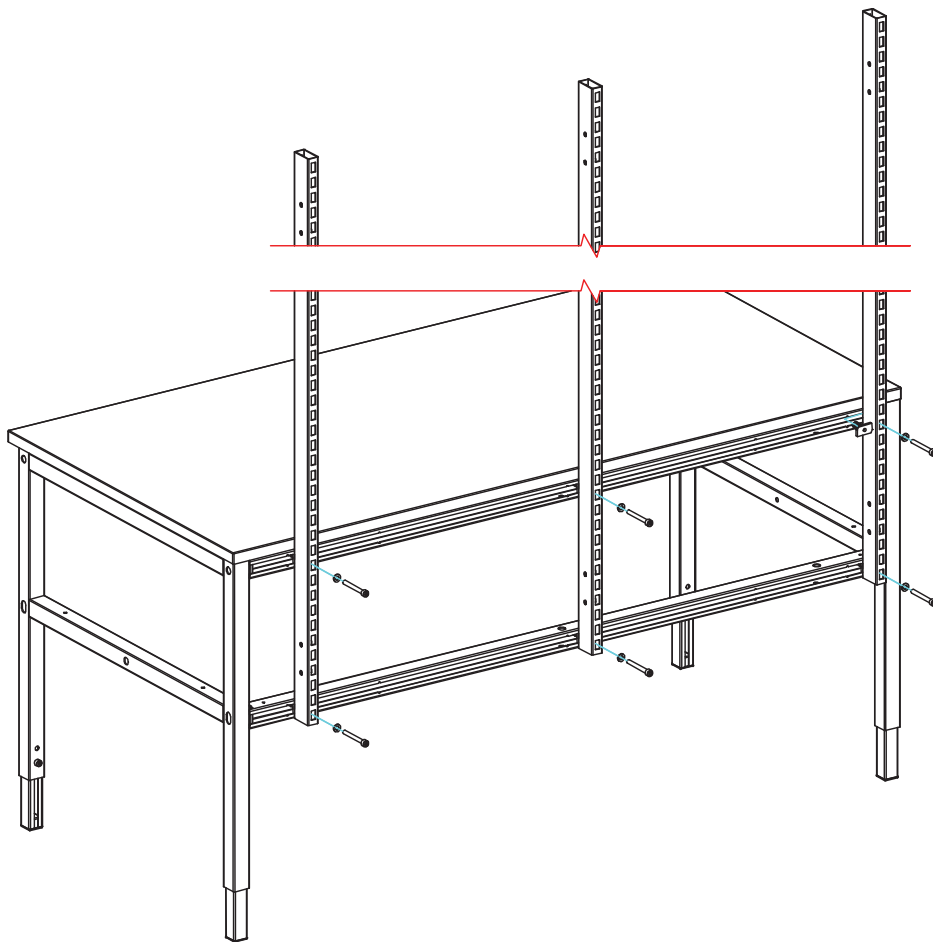
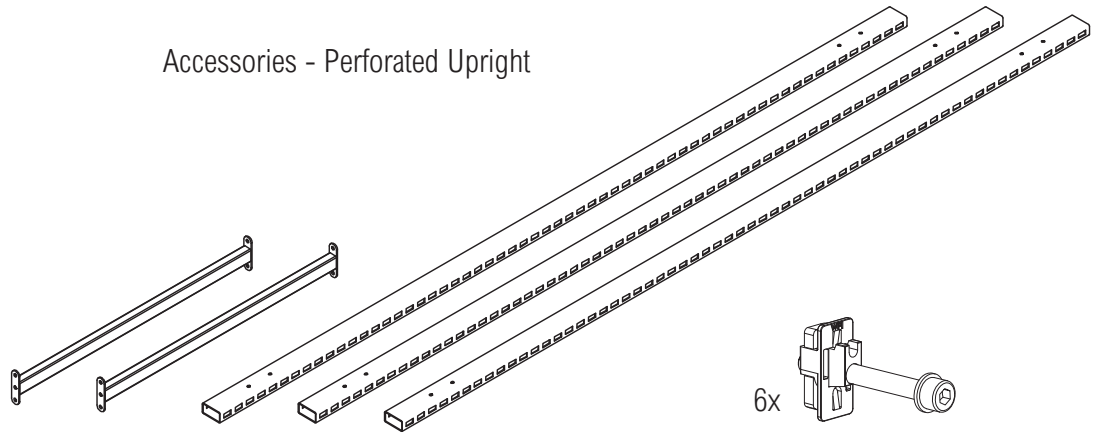
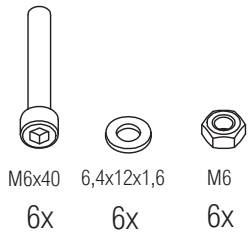
3



4



Accessories - Perforated Upright

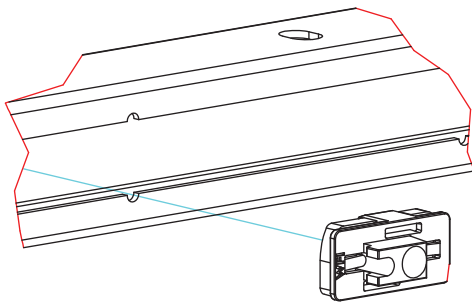


3-250-0

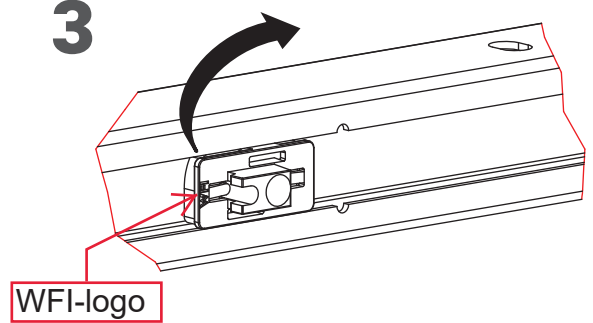
1



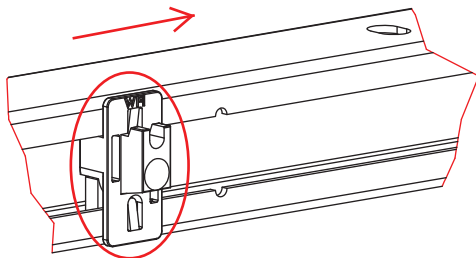
2



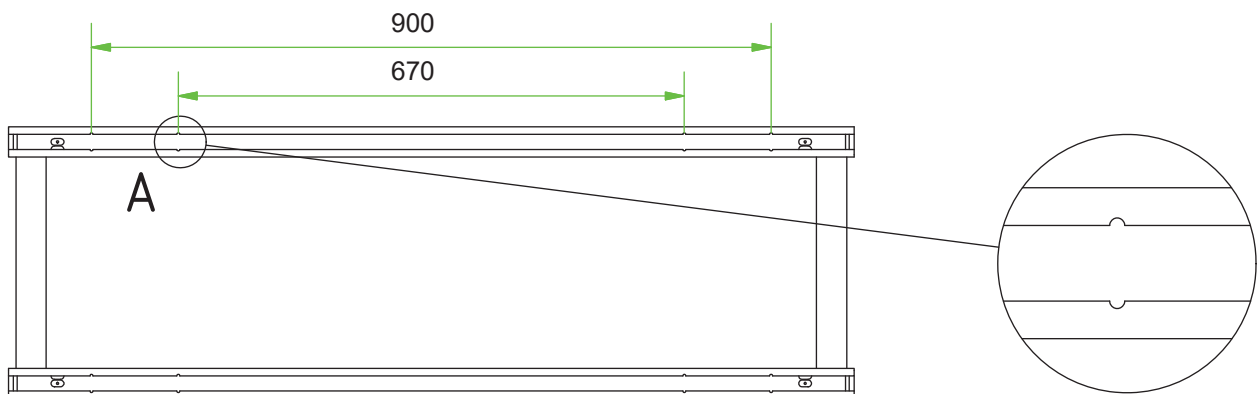
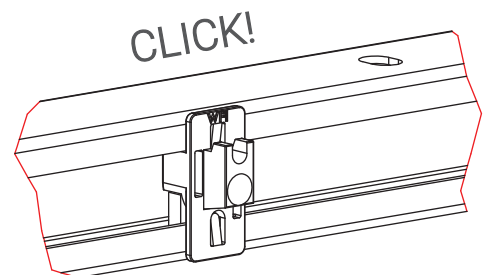
3



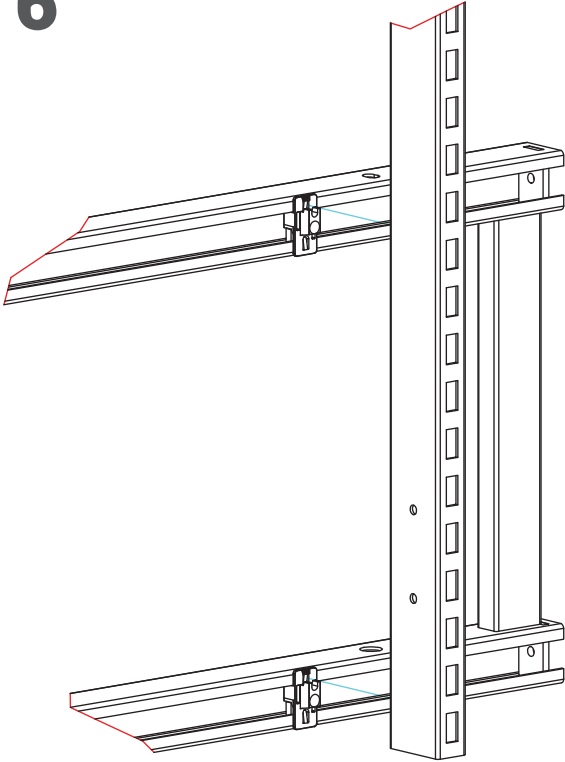
4



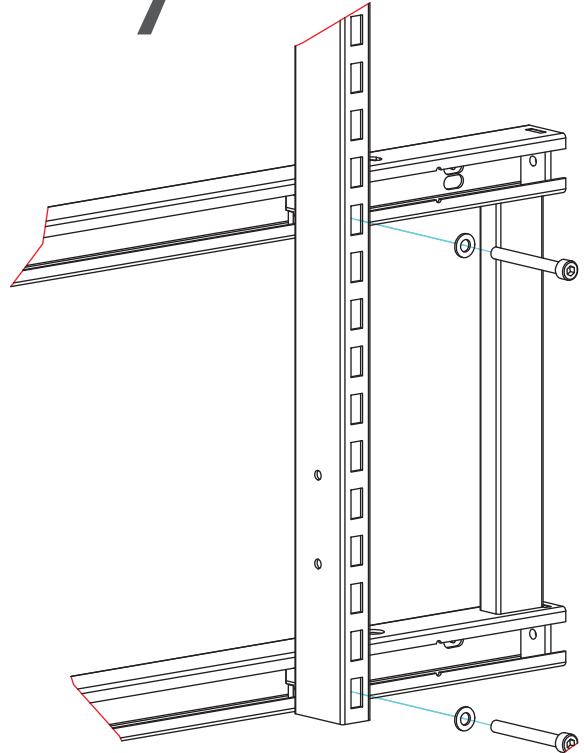
5



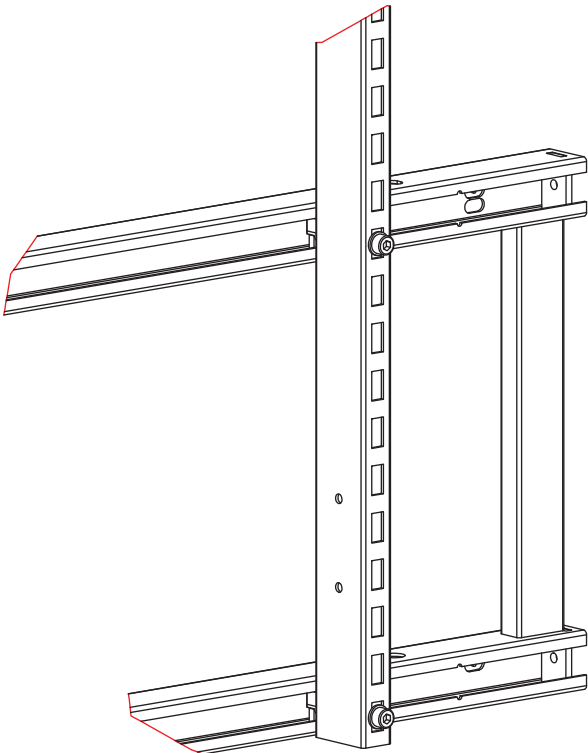
6



7






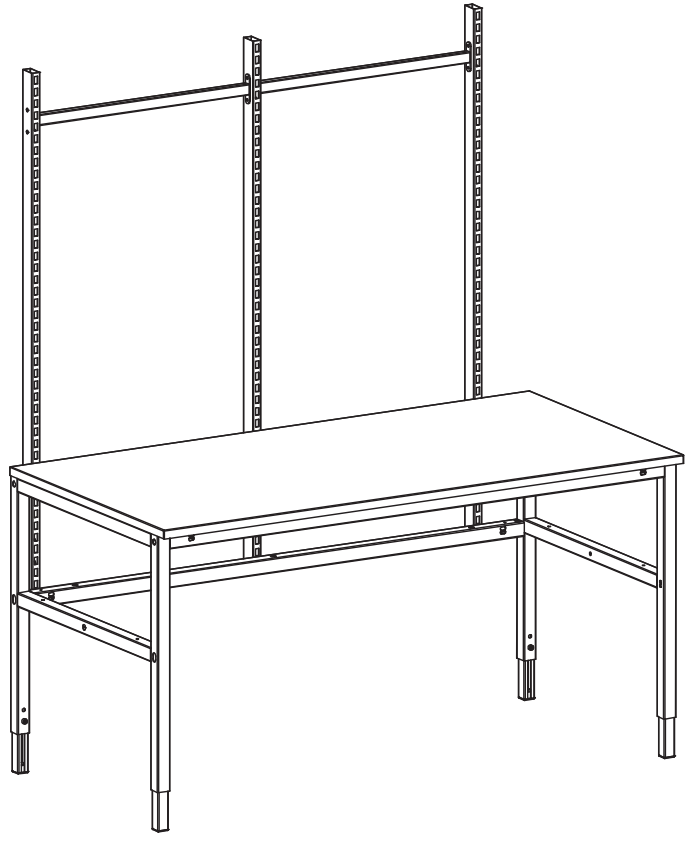
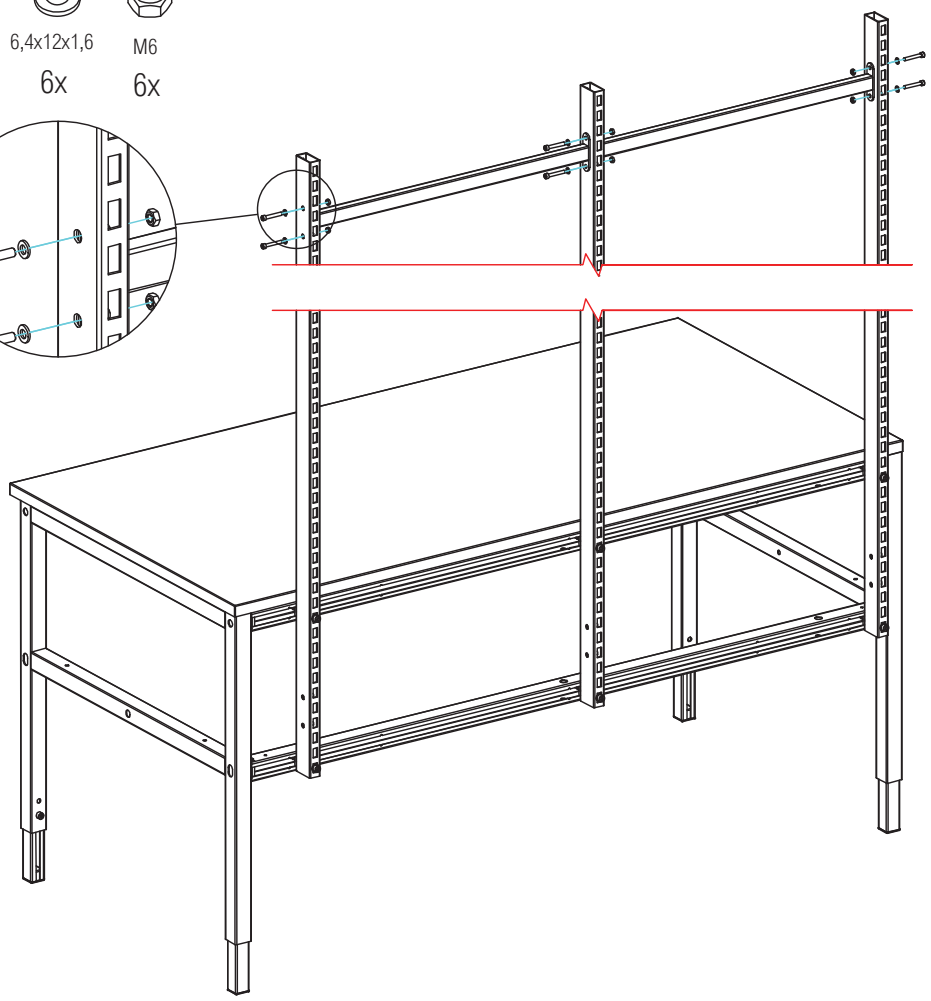
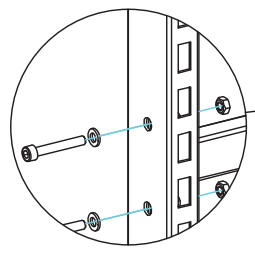
8



WFI AB
Lidängsvägen 5
335 32 Gnosjö, Sweden
+46 (0) 370 37 13 00
www.wfi.se



-  M6x40
 -  6,4x12x1,6
 -  M6
- 6x 6x 6x



Accessories - Extra shelf



4x

