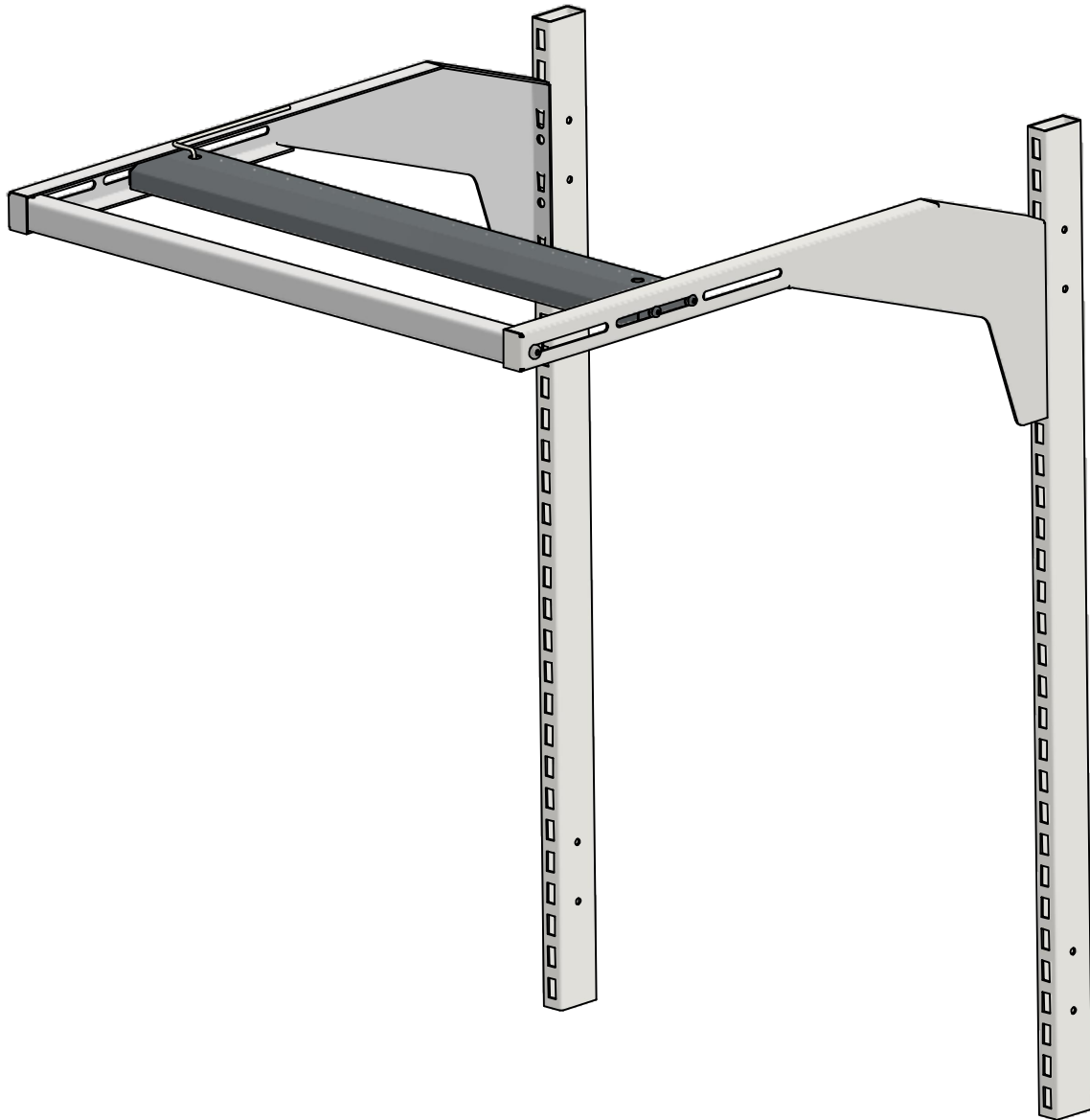
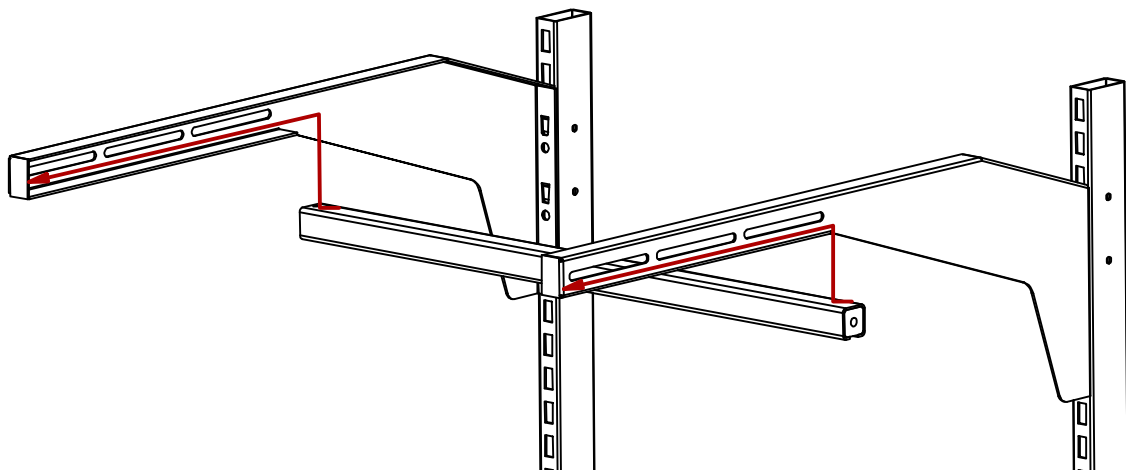
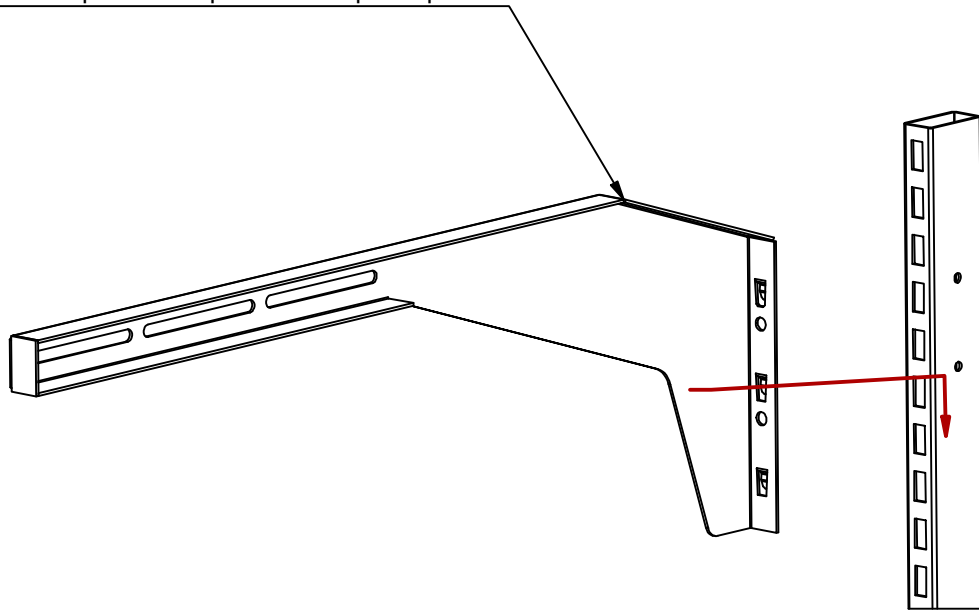


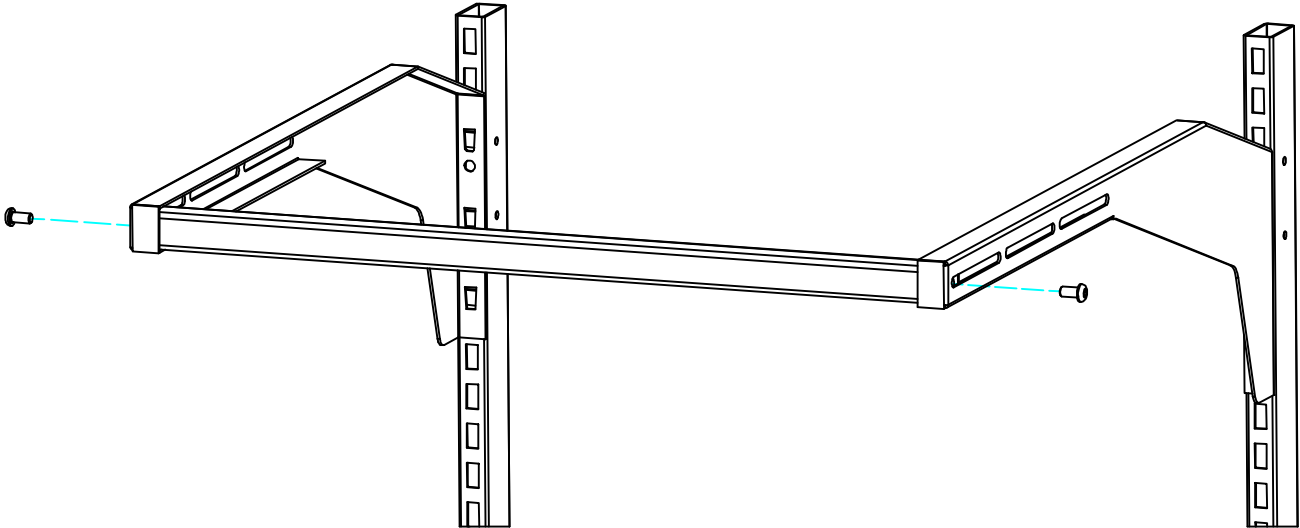
3-600-136

Superstructure with  
c-profile rail

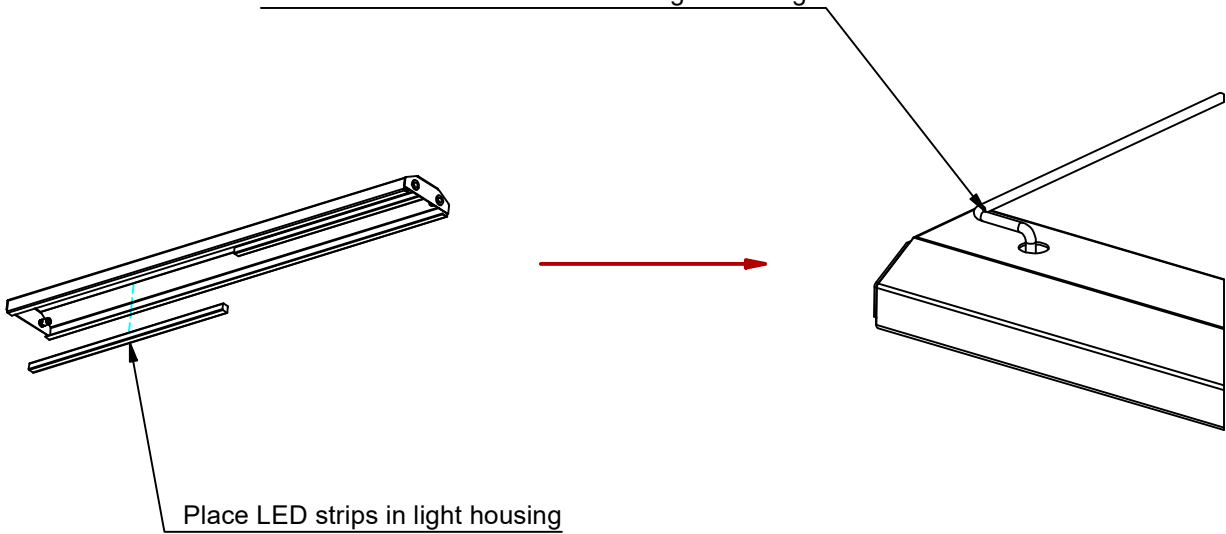


Insert into perforated panel and tap into place

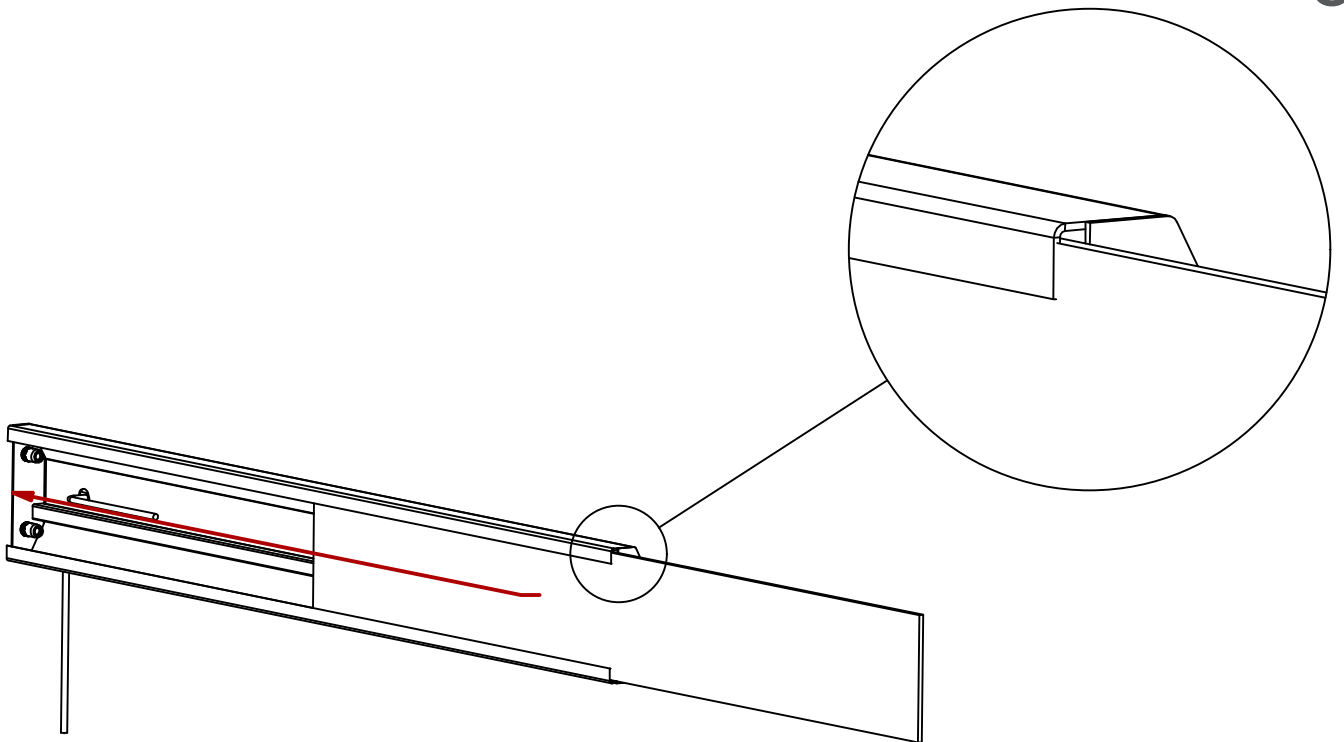




Feed the LED cable through the holes on each side of the light housing



5



6

