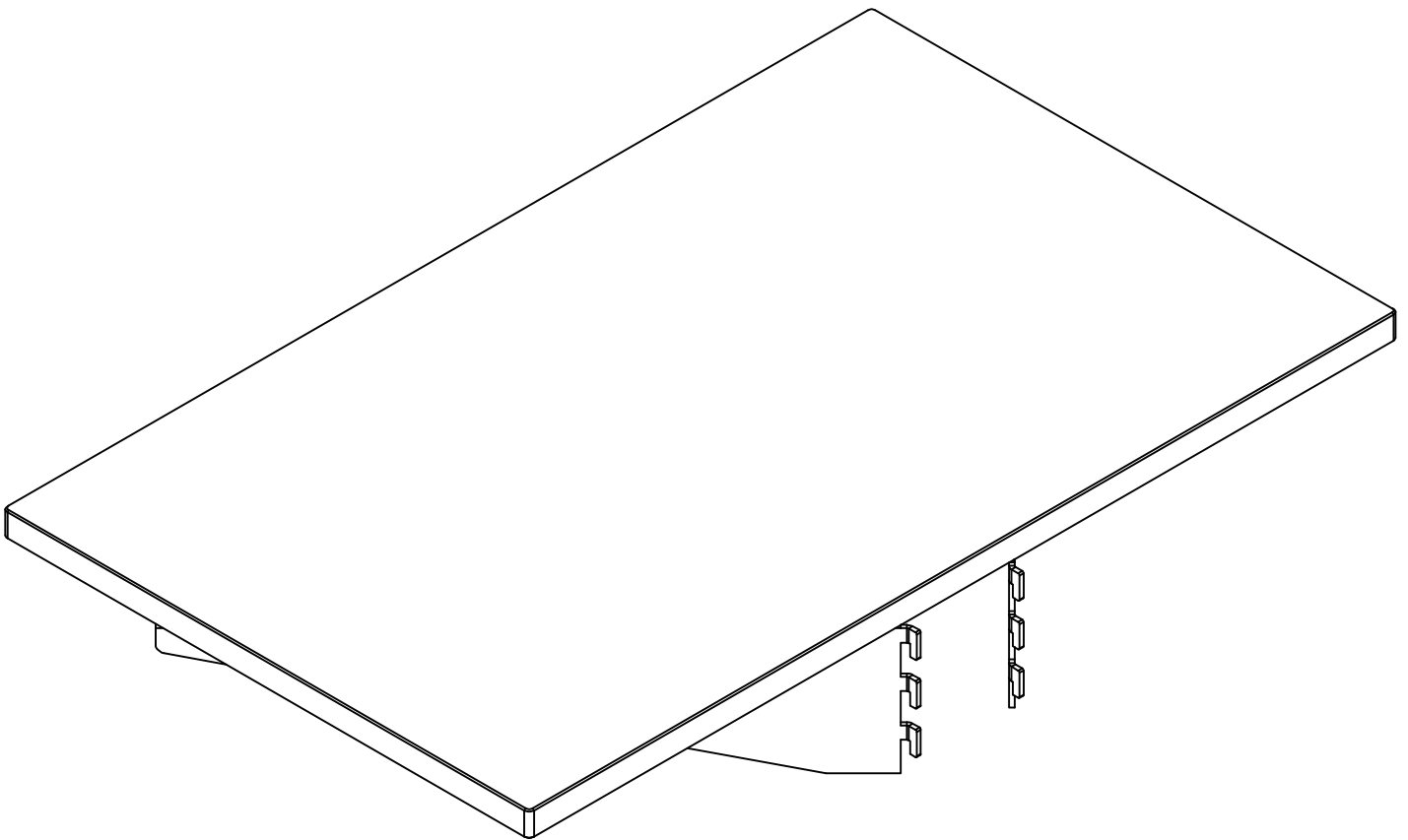


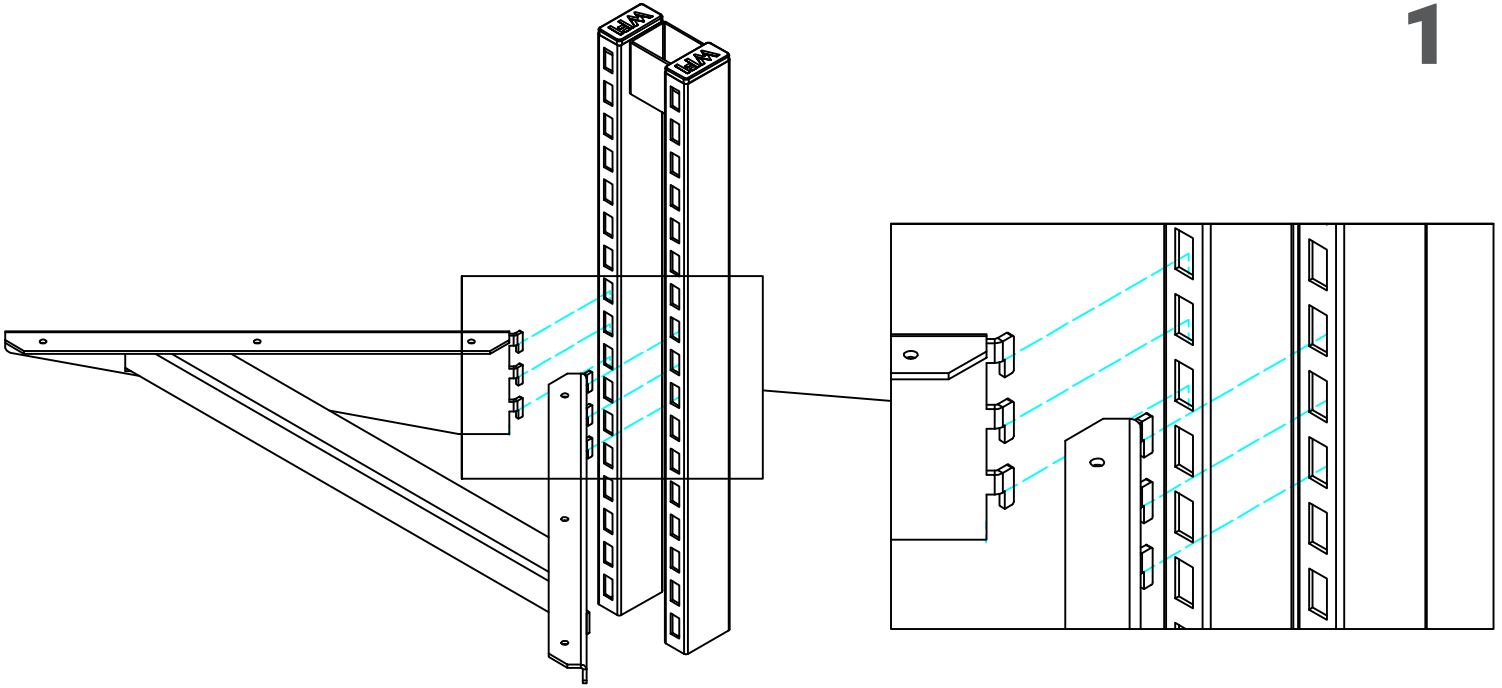


**9-307**

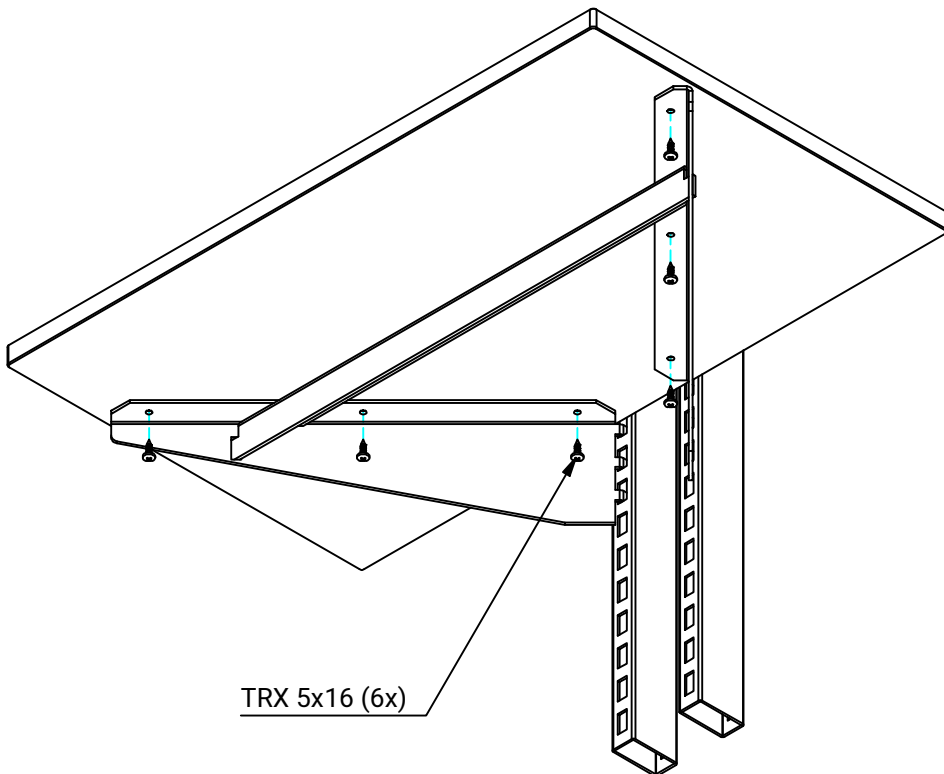
**Shelf Mobile Workstation**



1



2



TRX 5x16 (6x)

