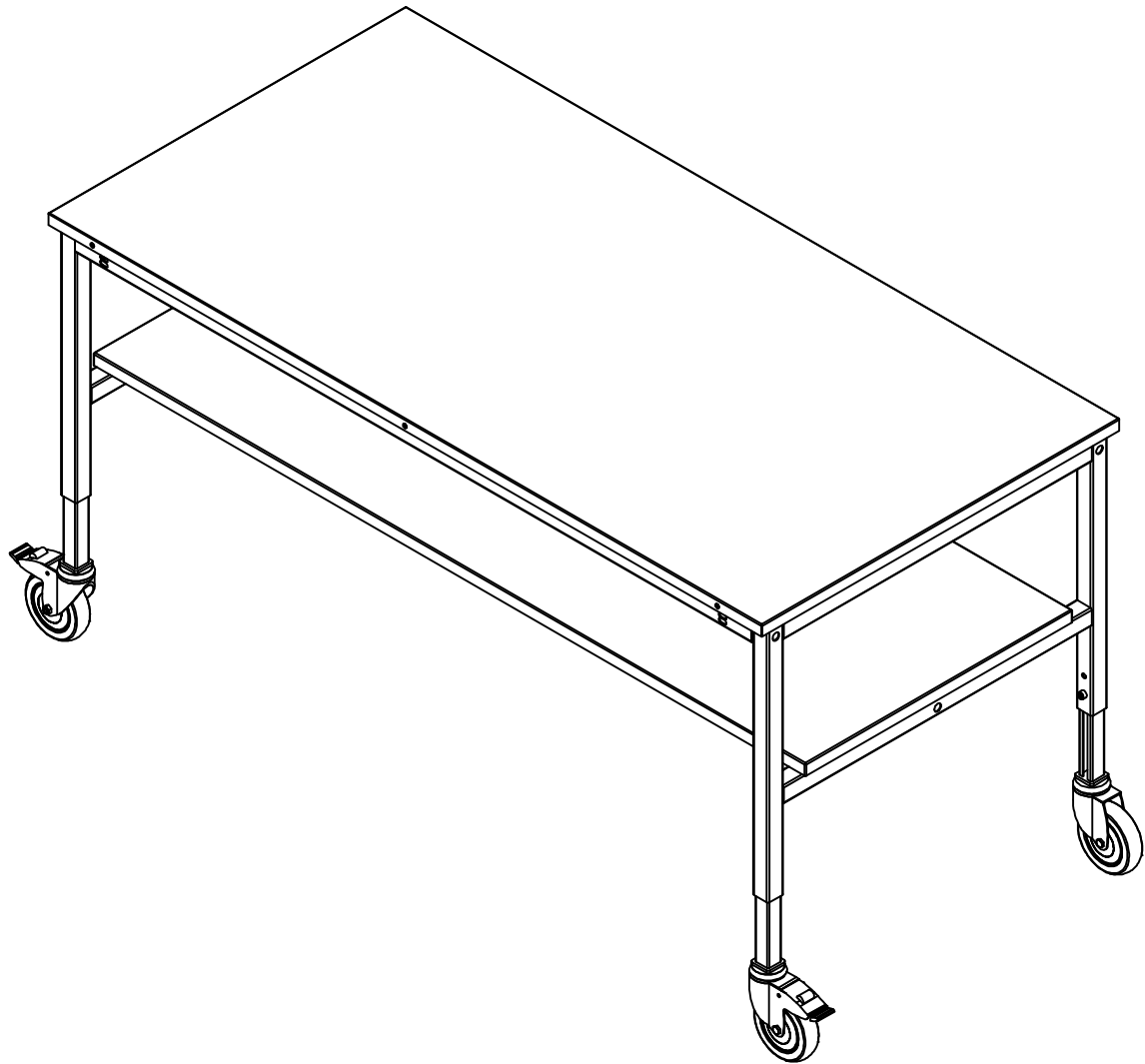




1-890/1-891

Workbench LD Mobile Sheet Metal



Side shelf (optional)

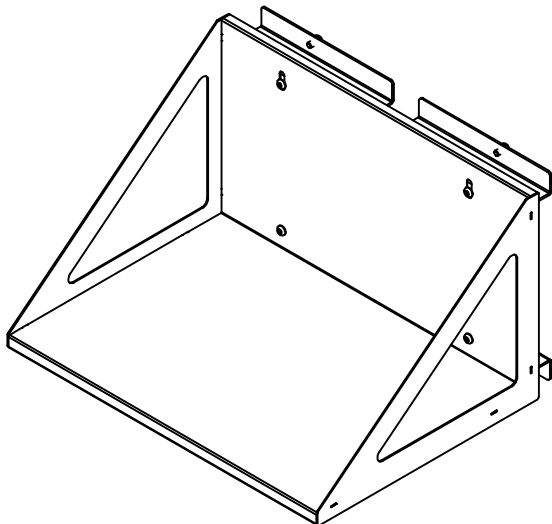
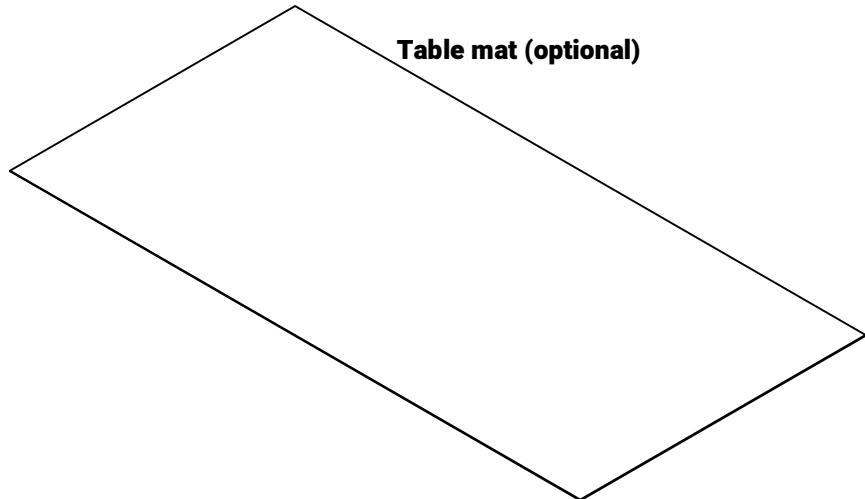
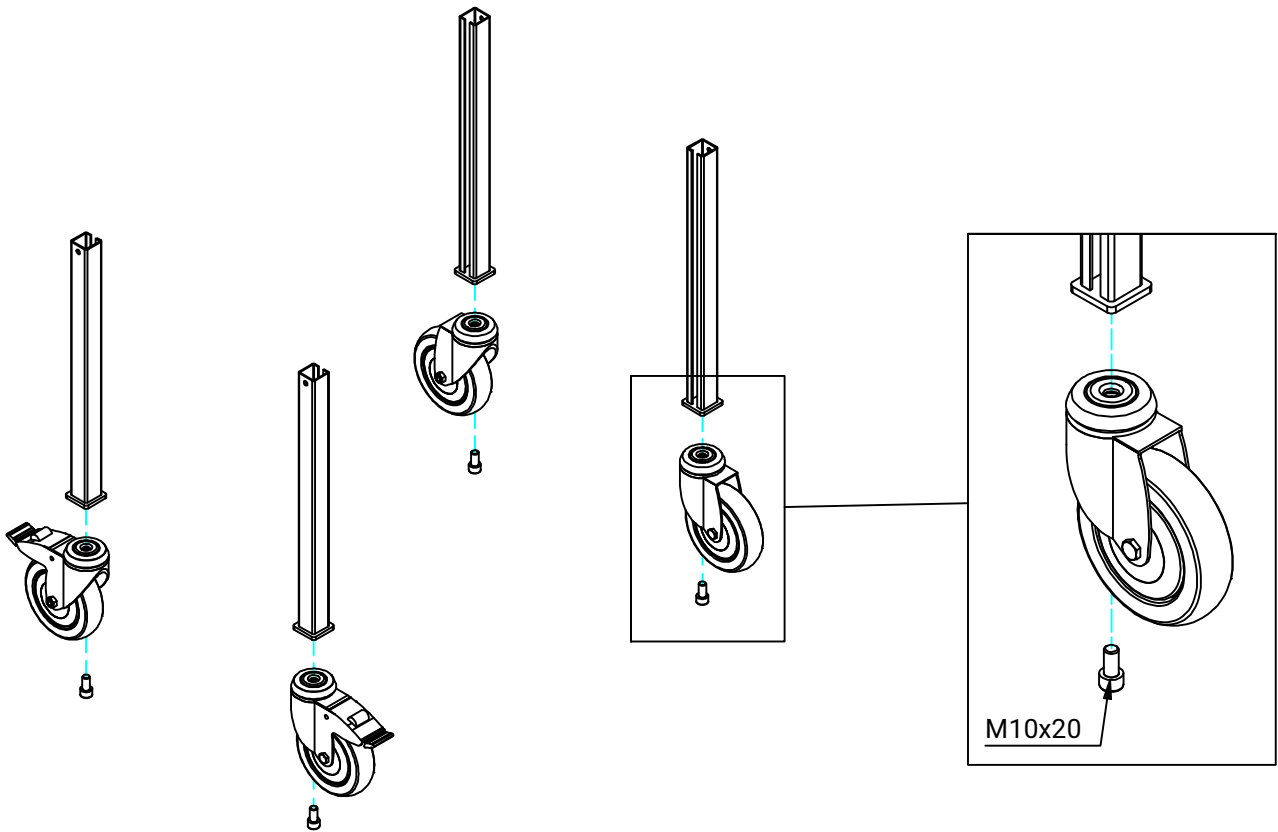


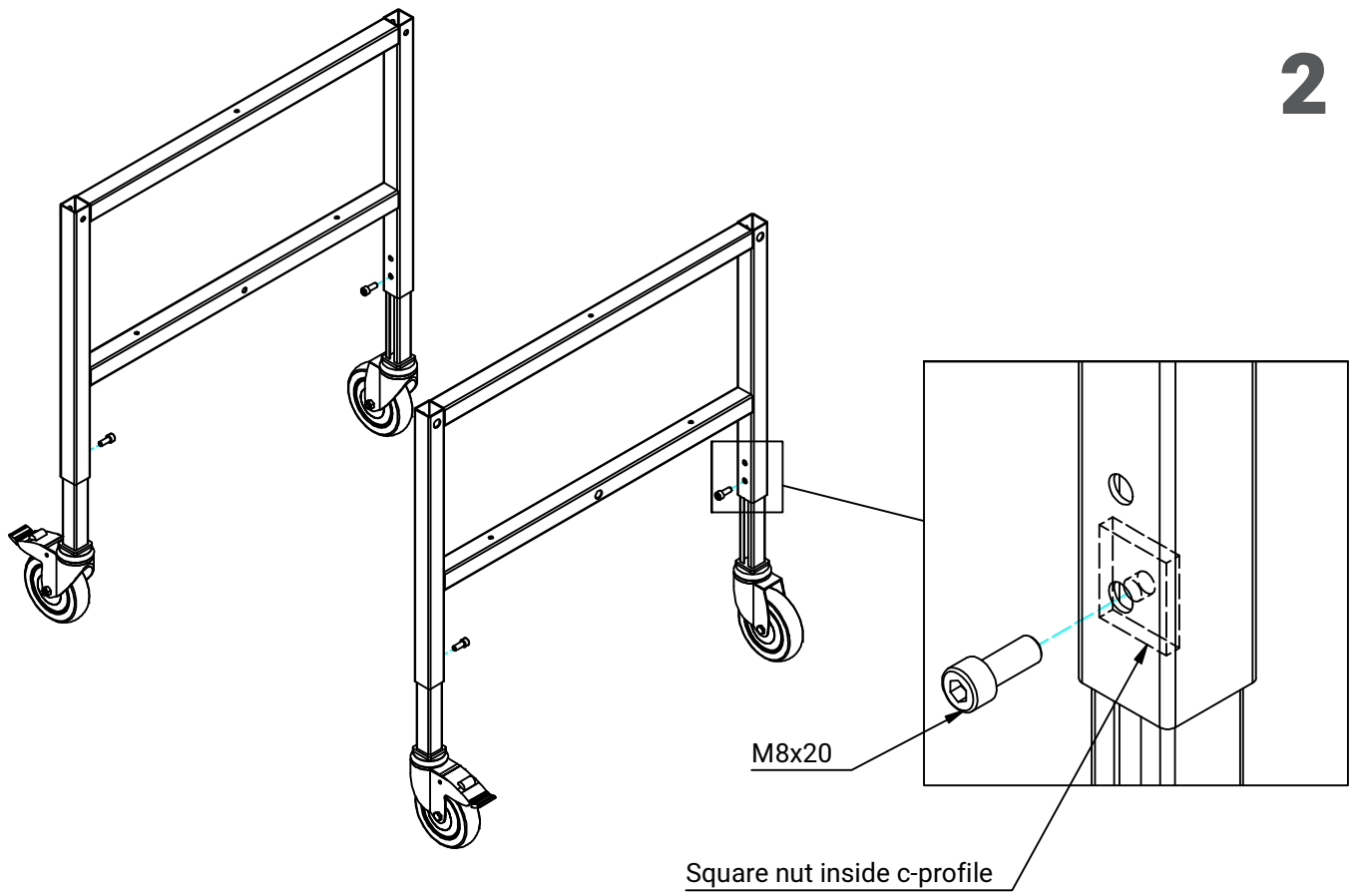
Table mat (optional)



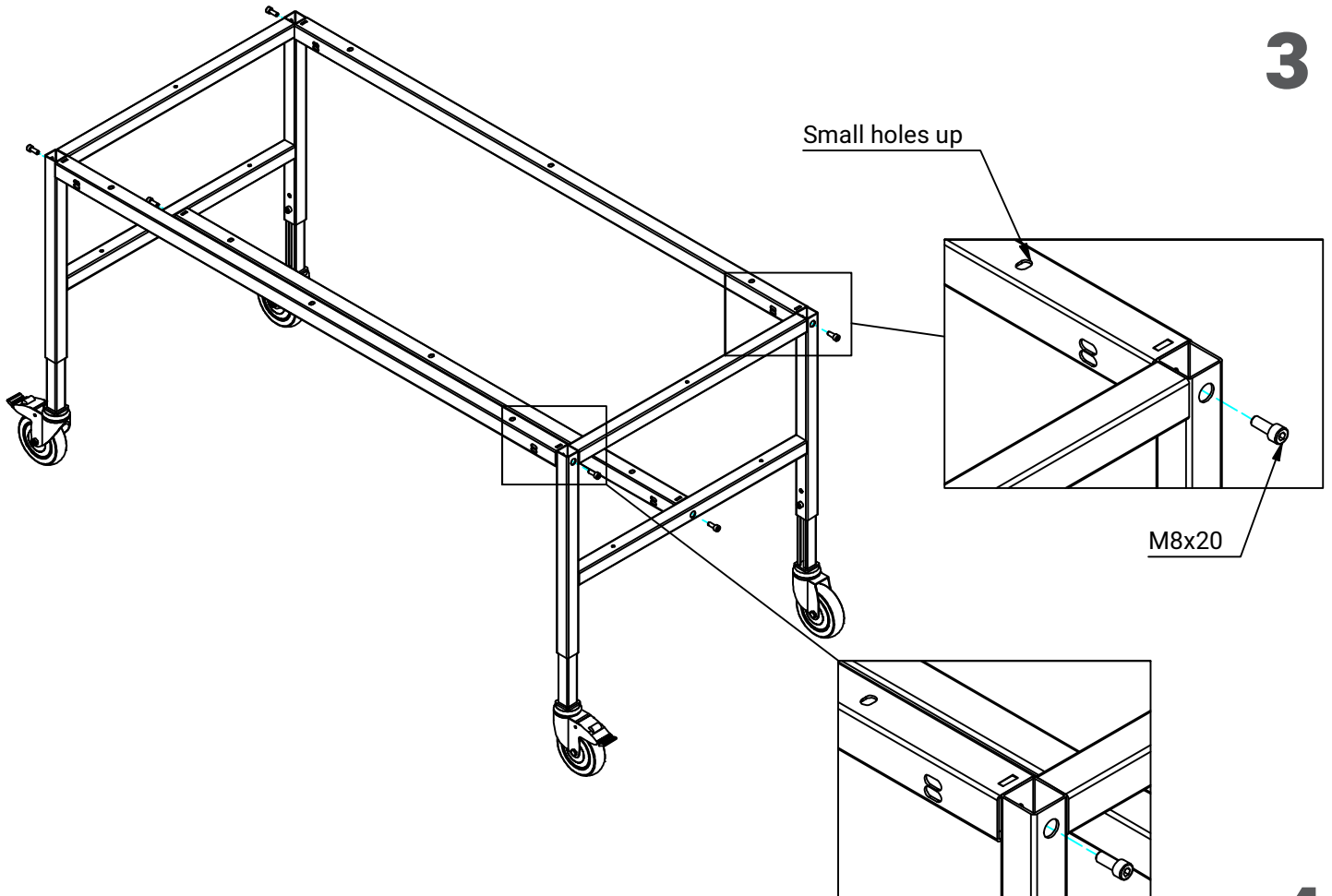
1



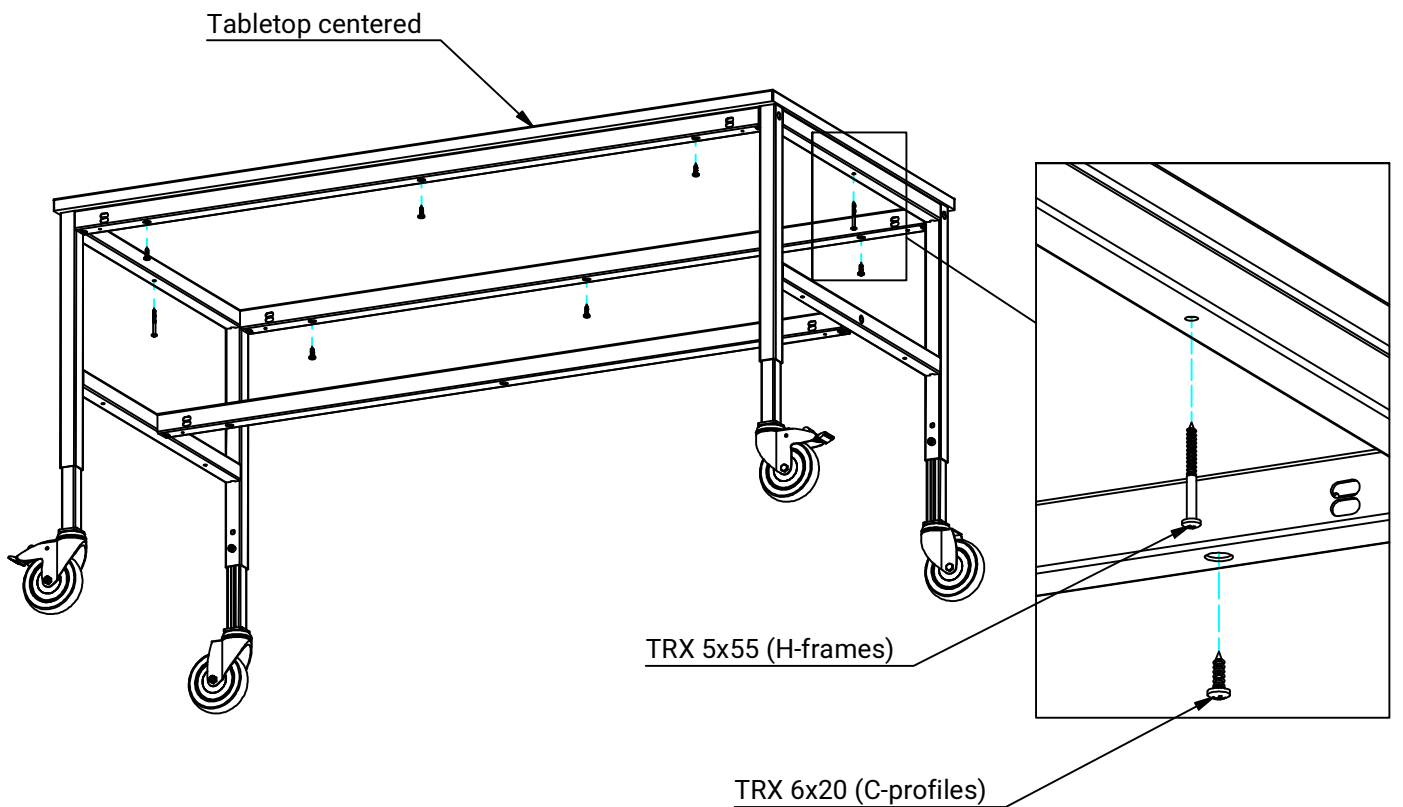
2

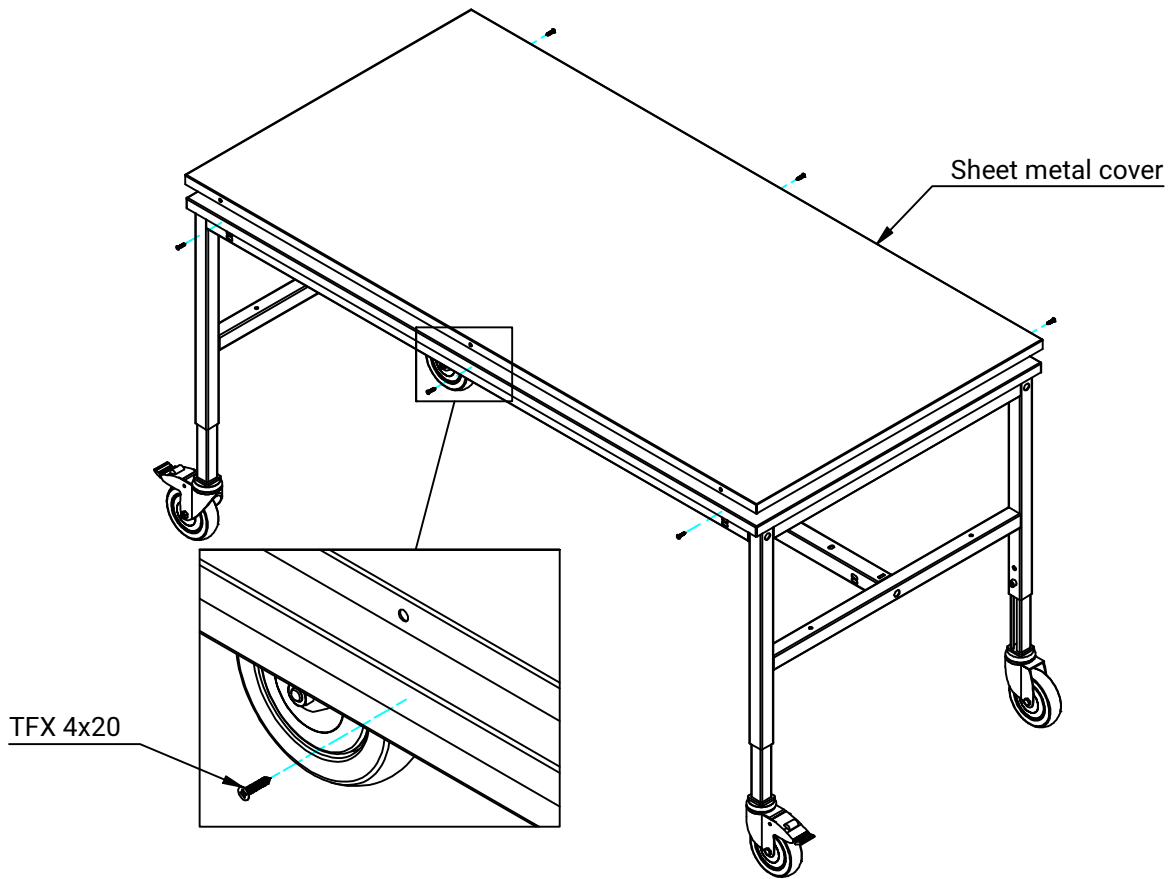


3

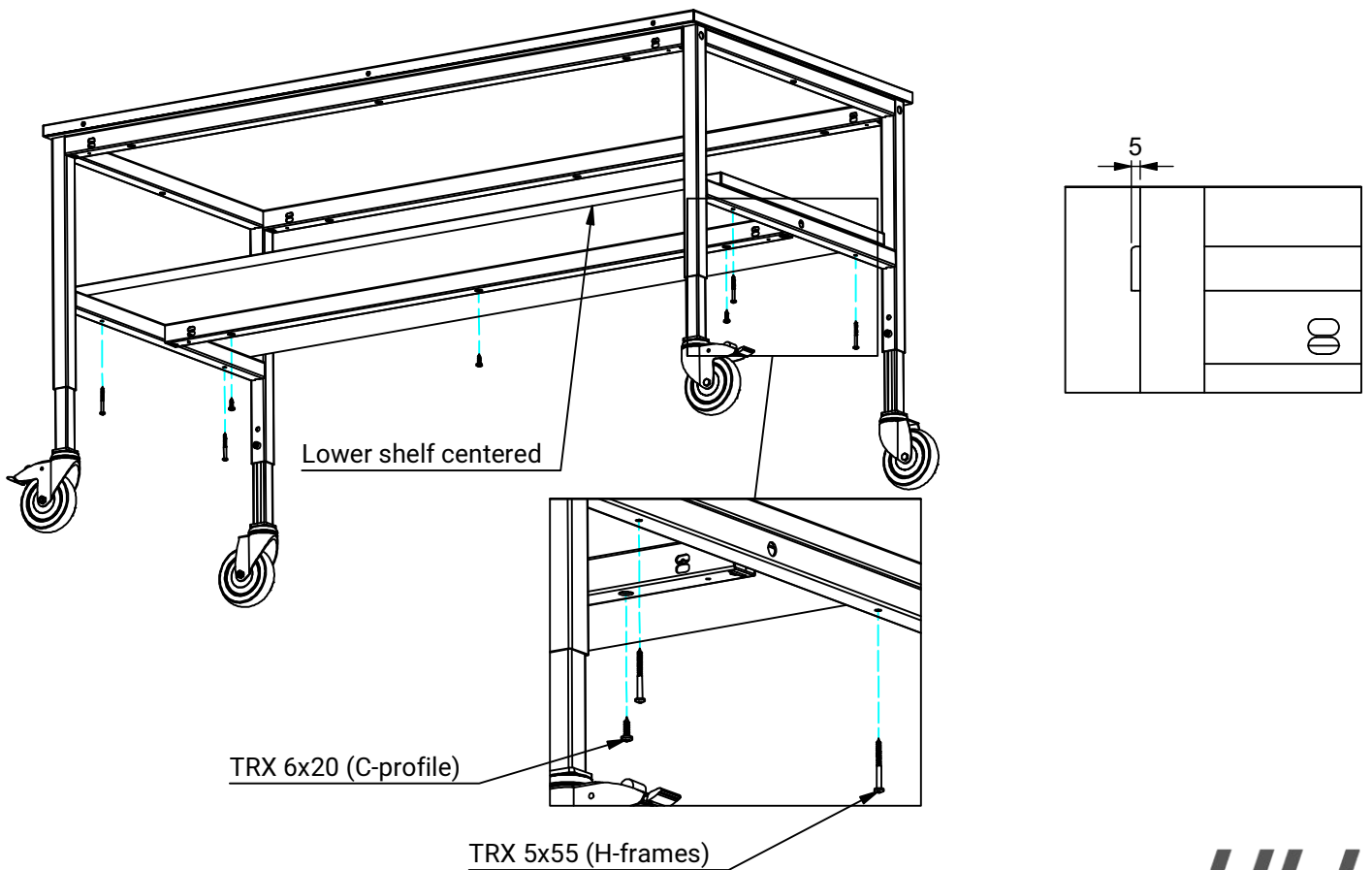


4

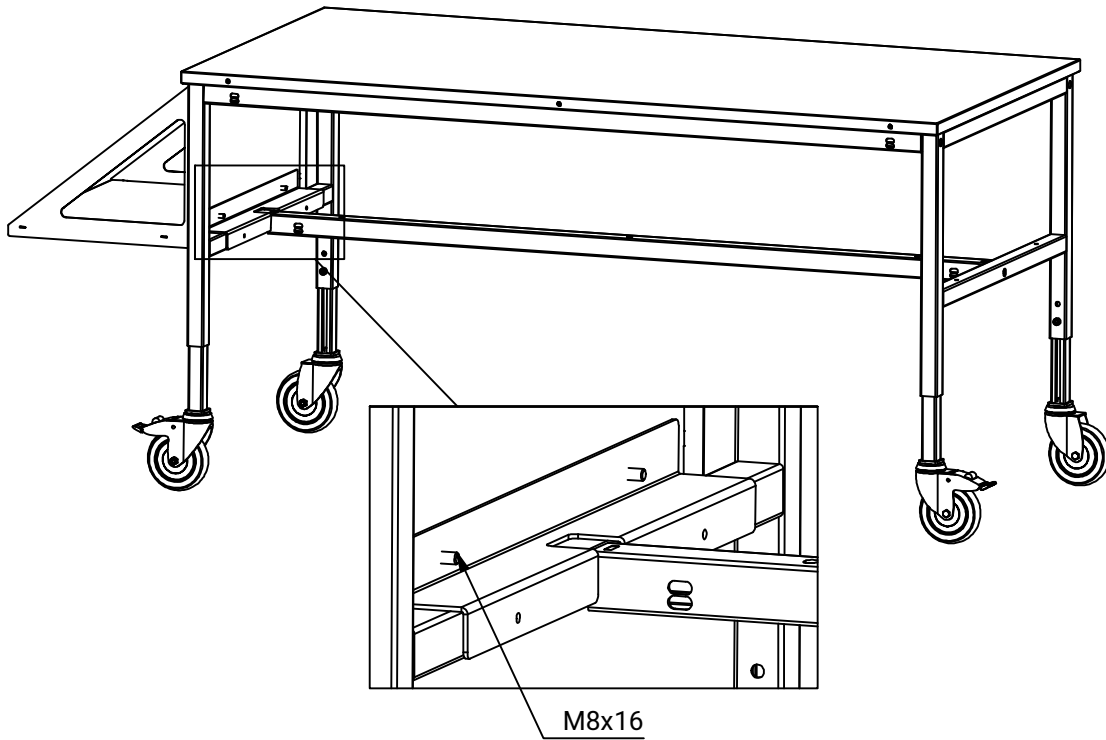




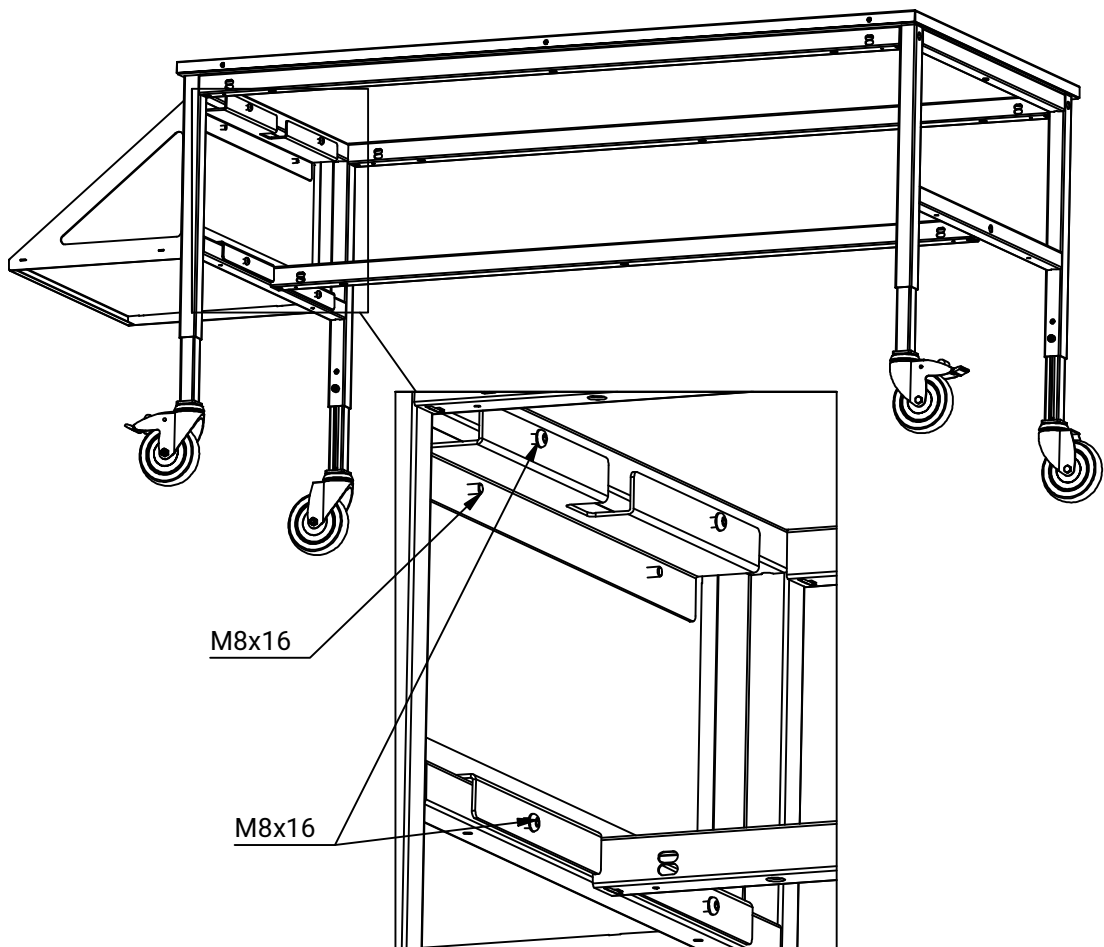
If optional side shelf is used. Ignore this step and continue with next.



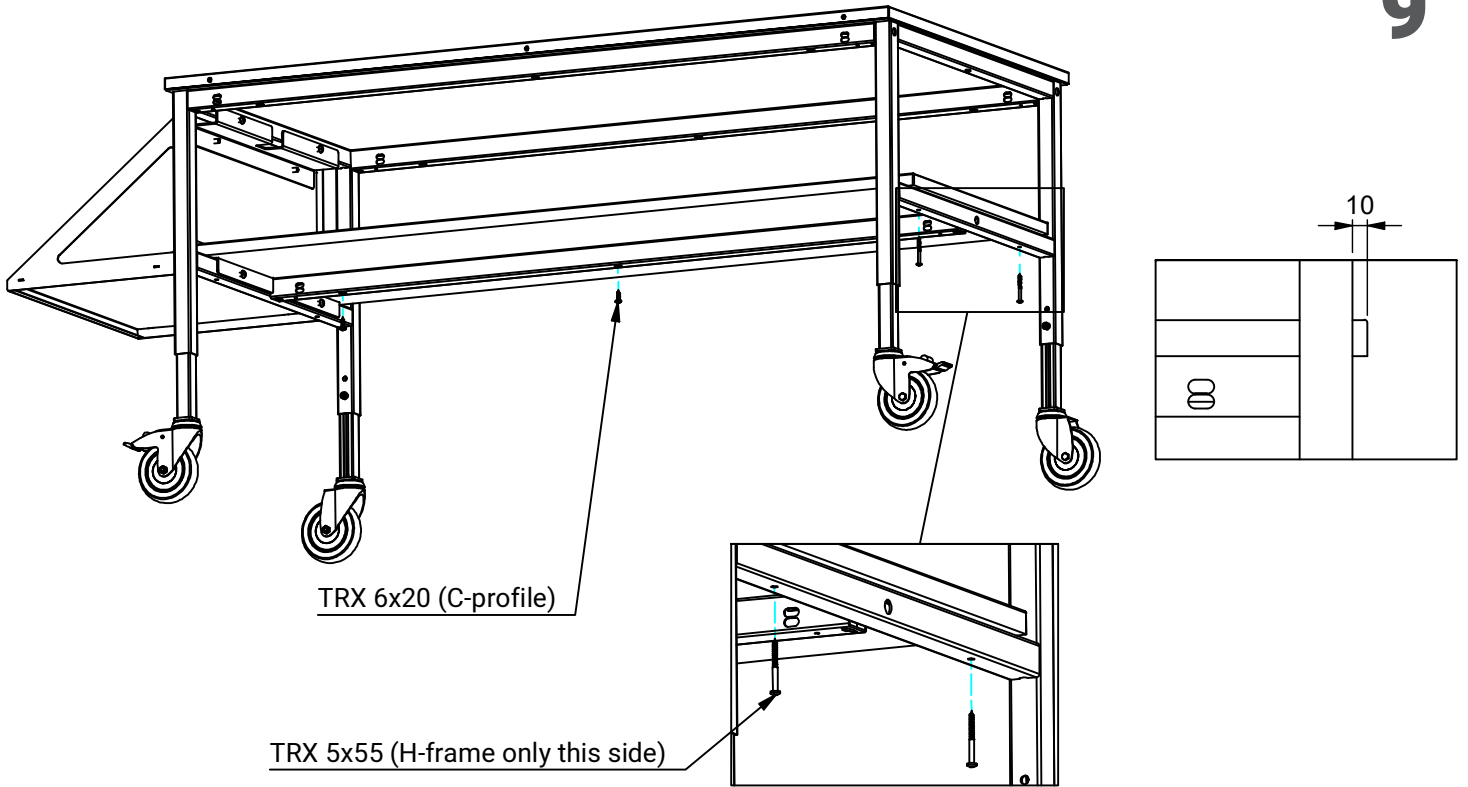
7



8



9



10

