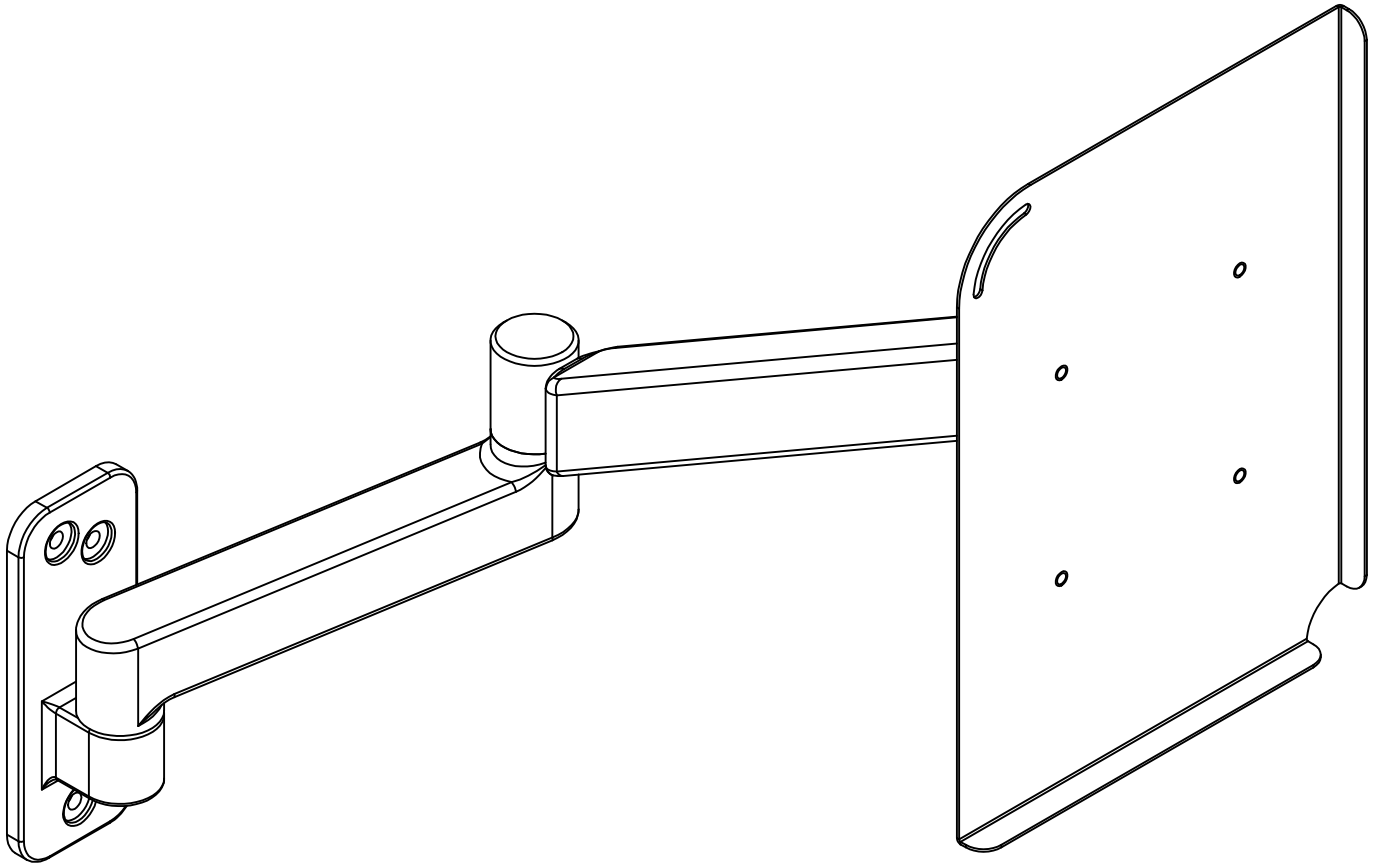
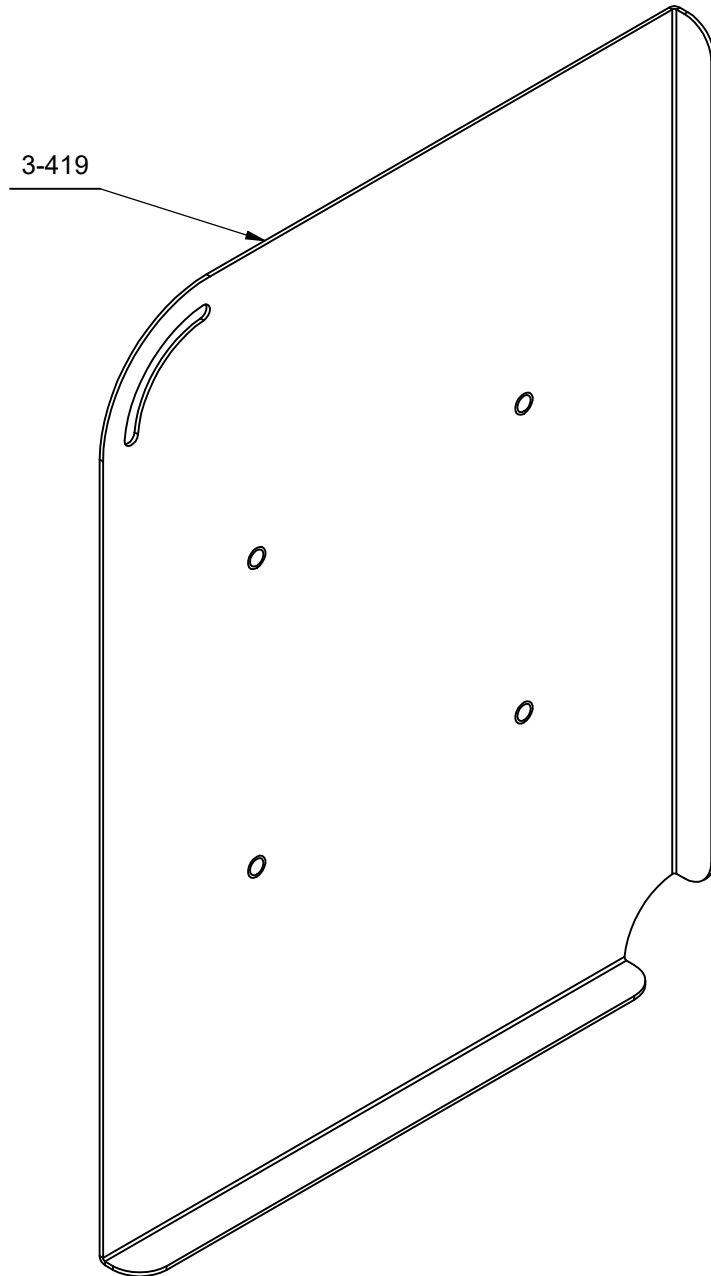


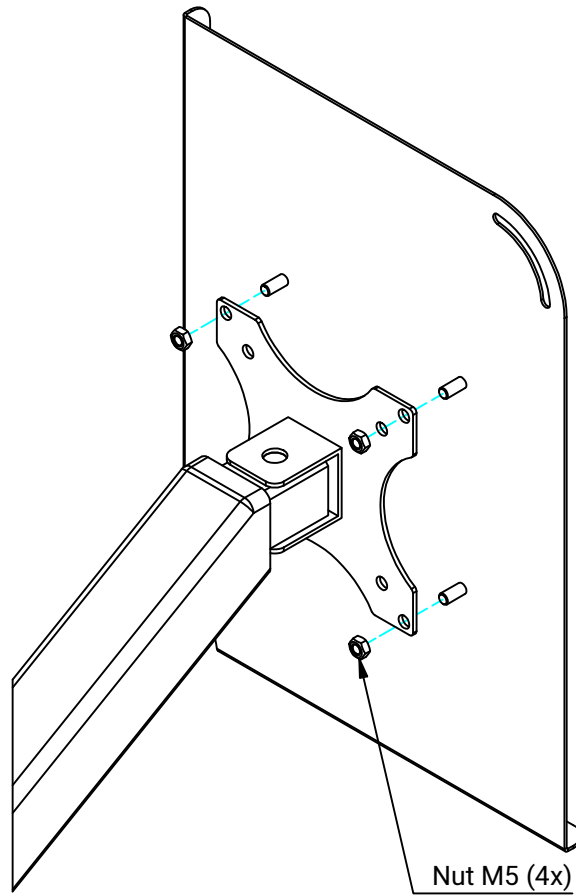
3-419

Document holder A4





1



2

