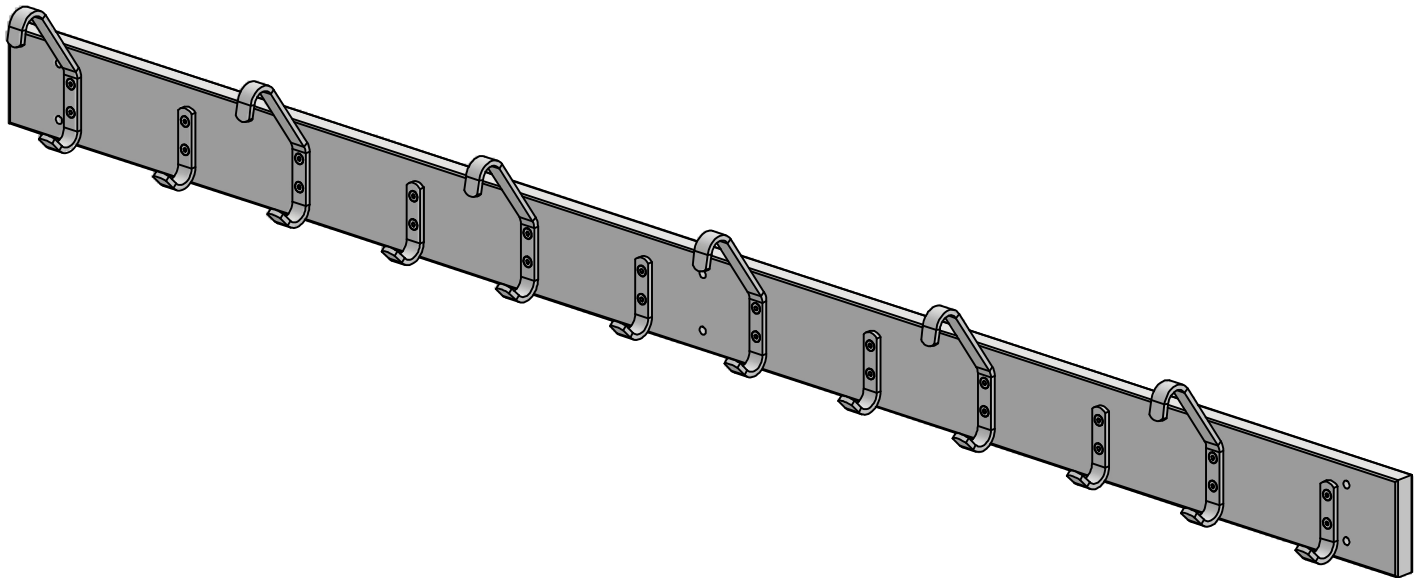


# KUMI

Assembly instructions

## 2-612-XX

Kroklister inklusive 12  
Krokar 2000 mm



Telefon: +46 (0) 370 37 13 00  
Epost: [info@kumi.se](mailto:info@kumi.se)

