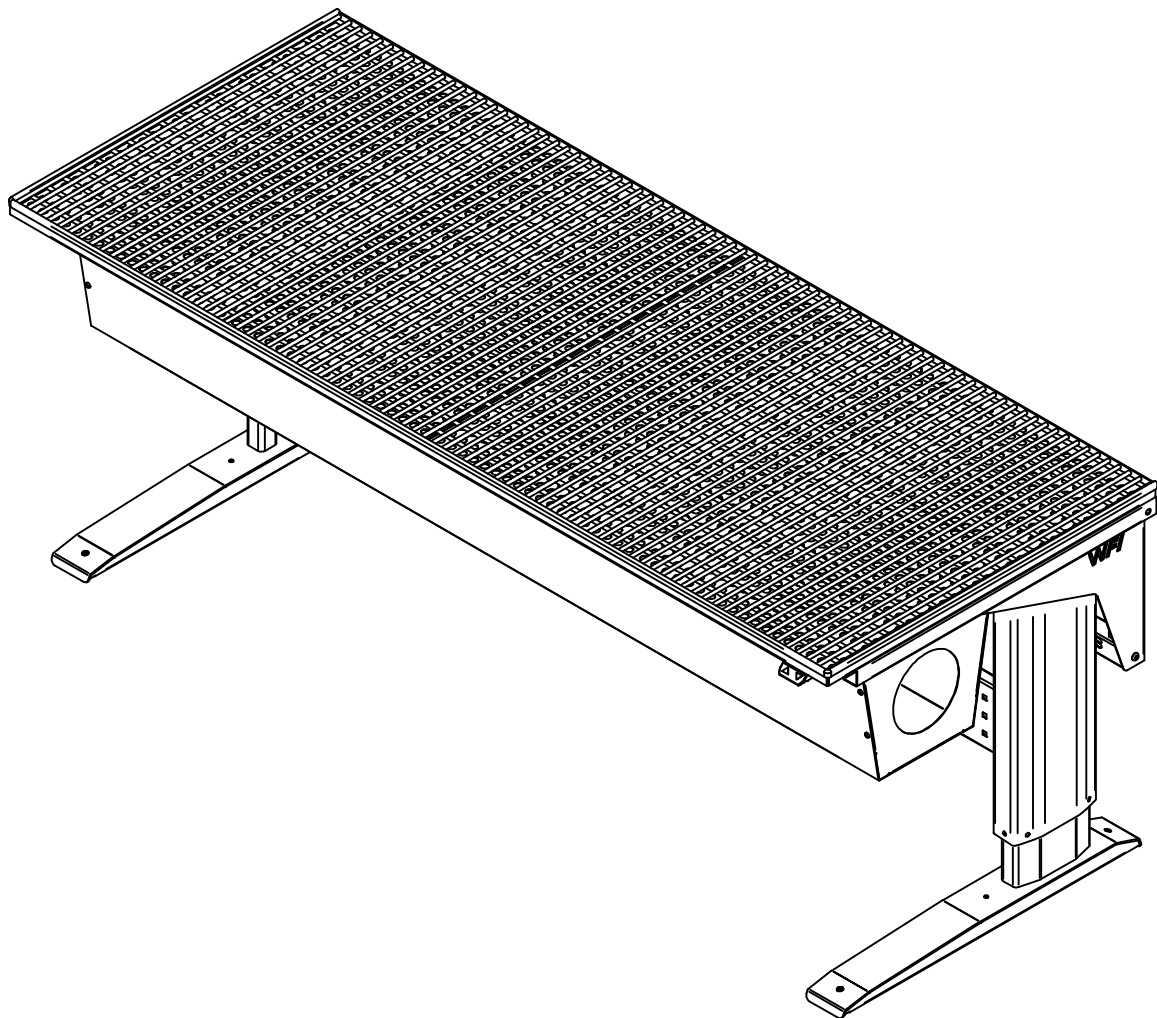
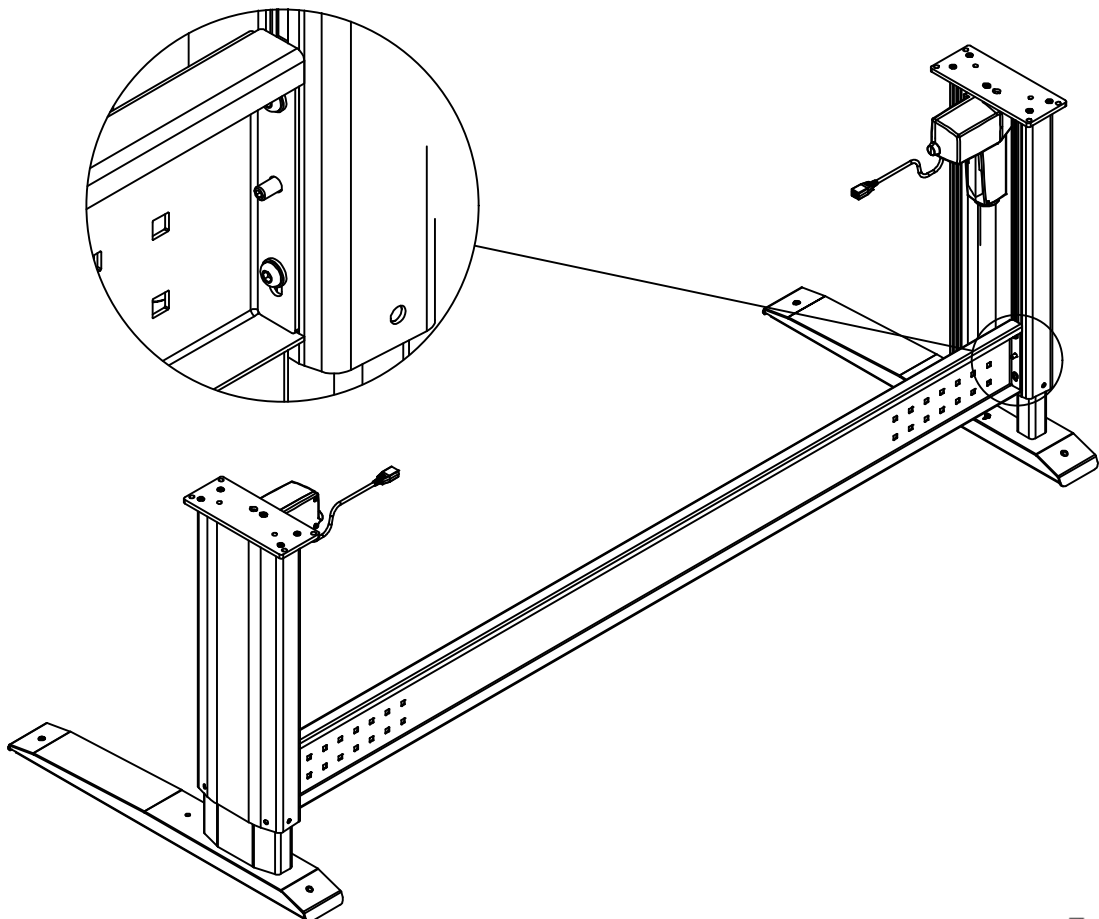
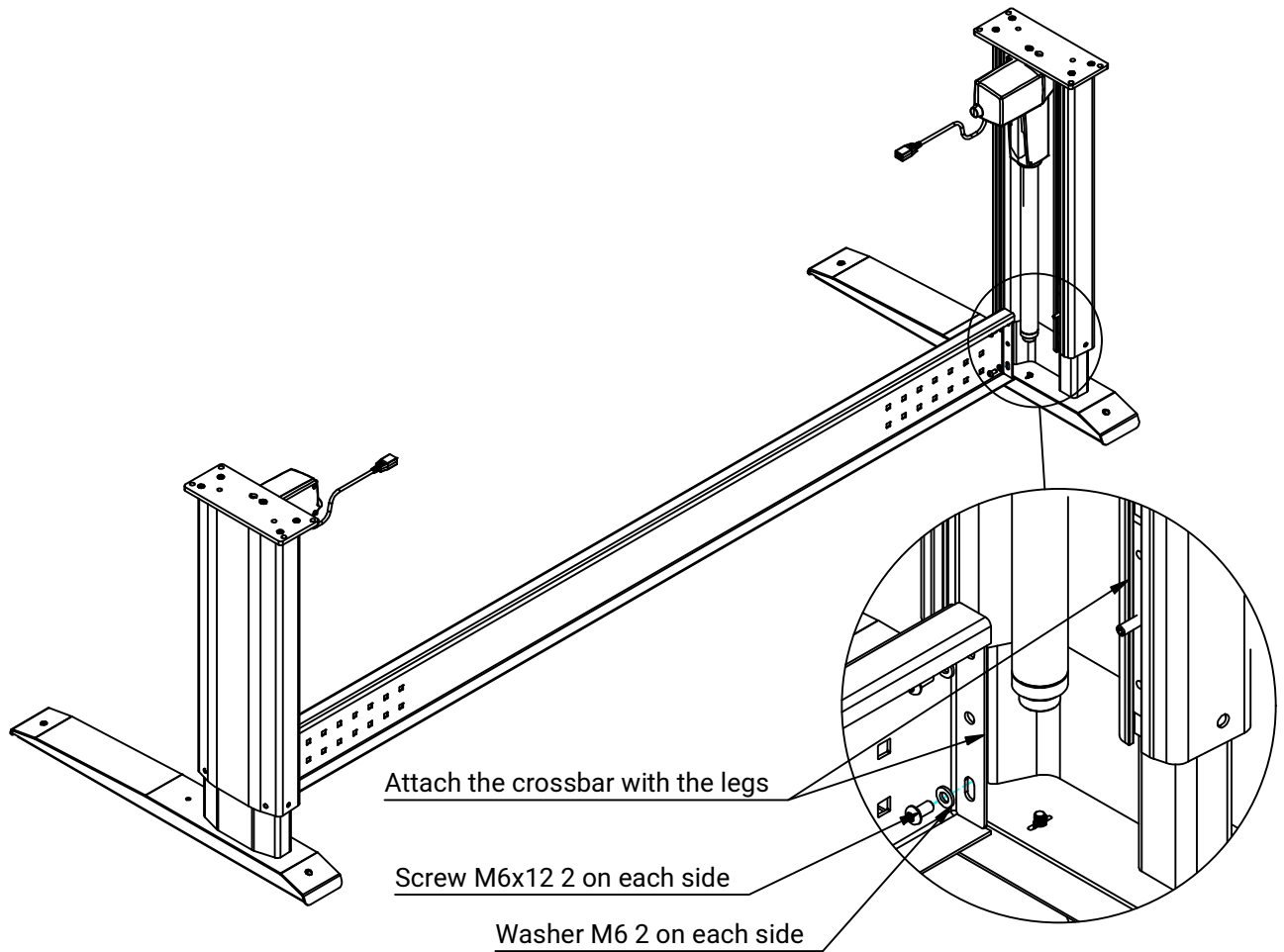
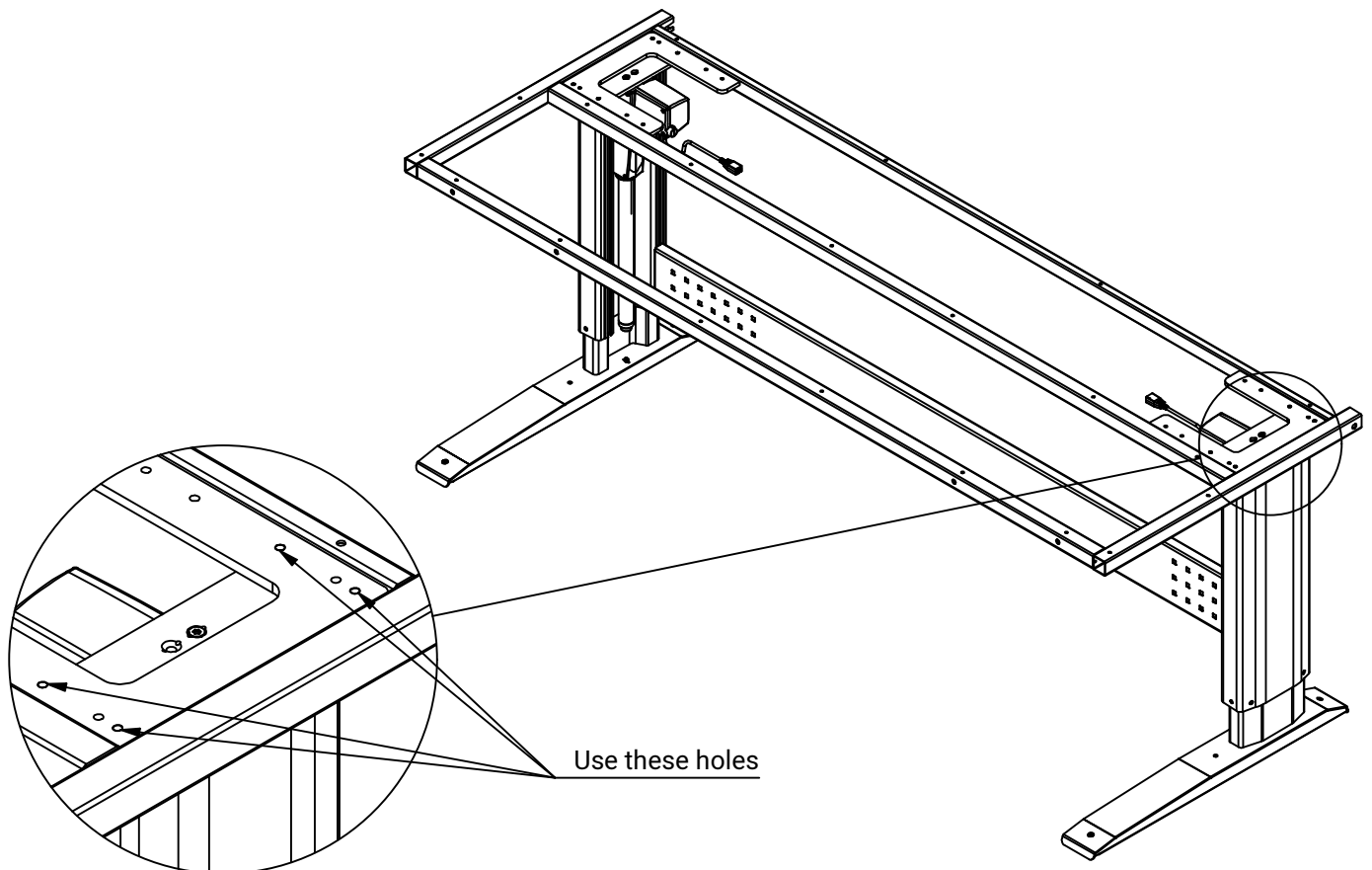
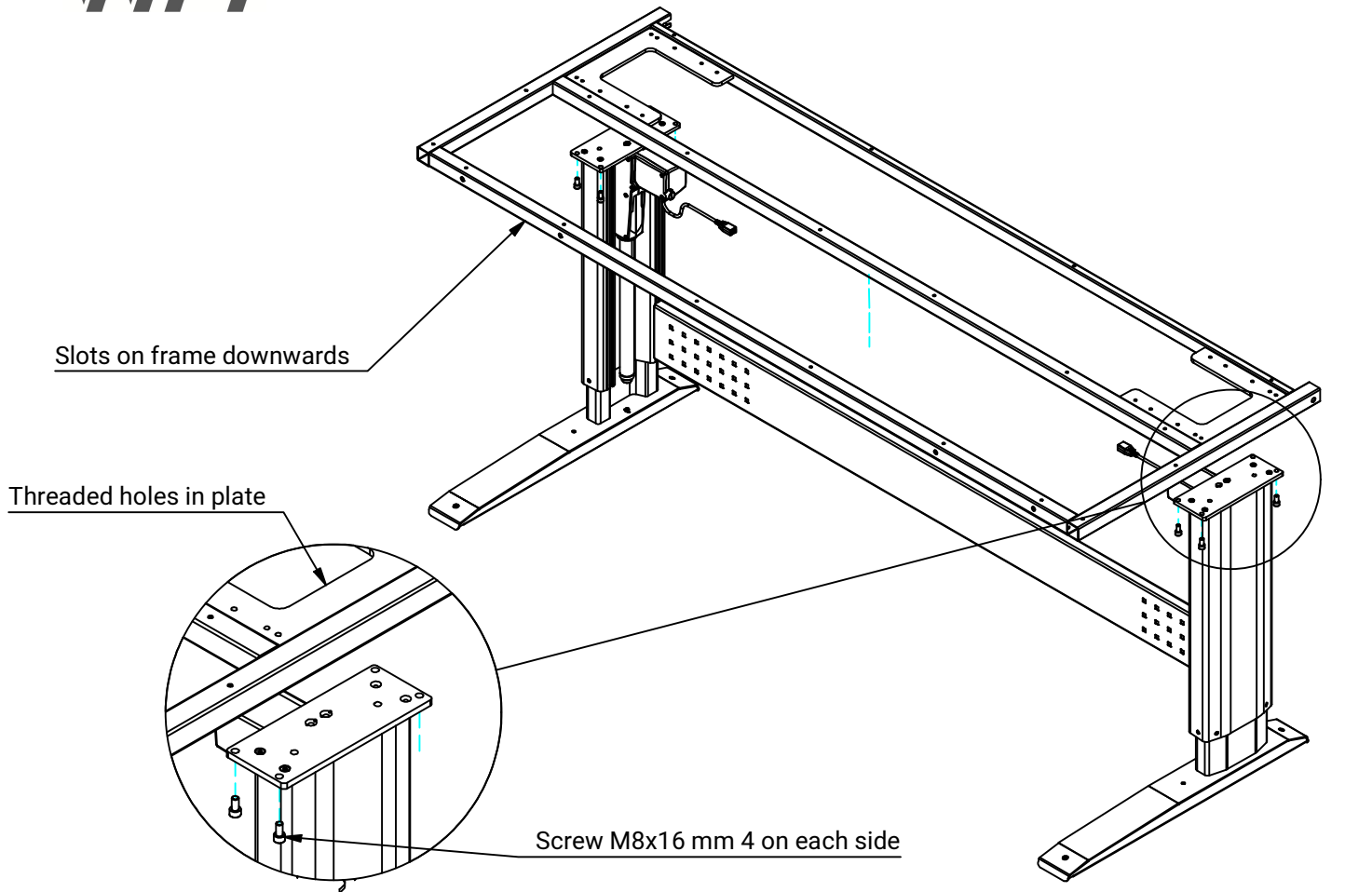


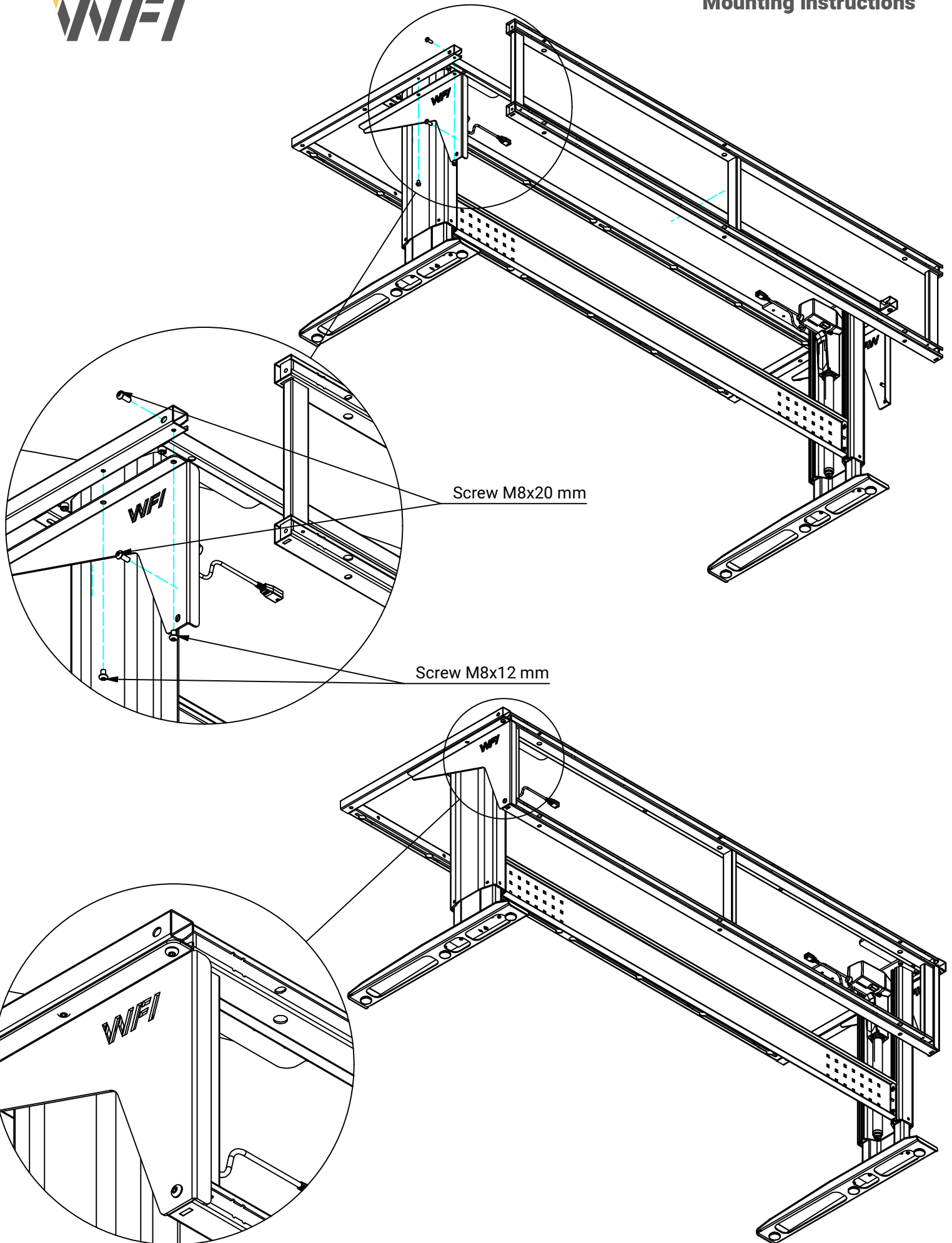
Extraction table

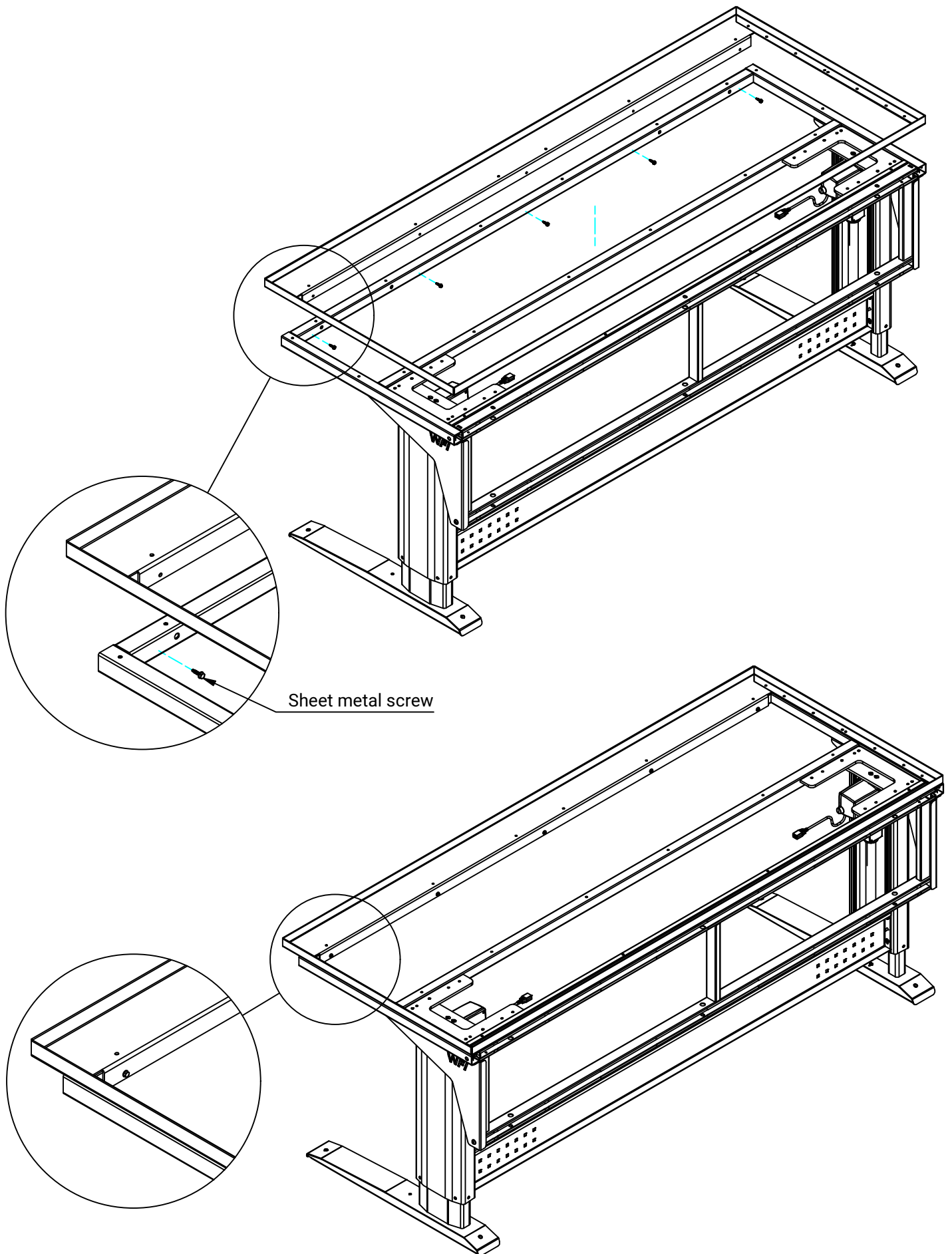
1-43X-X

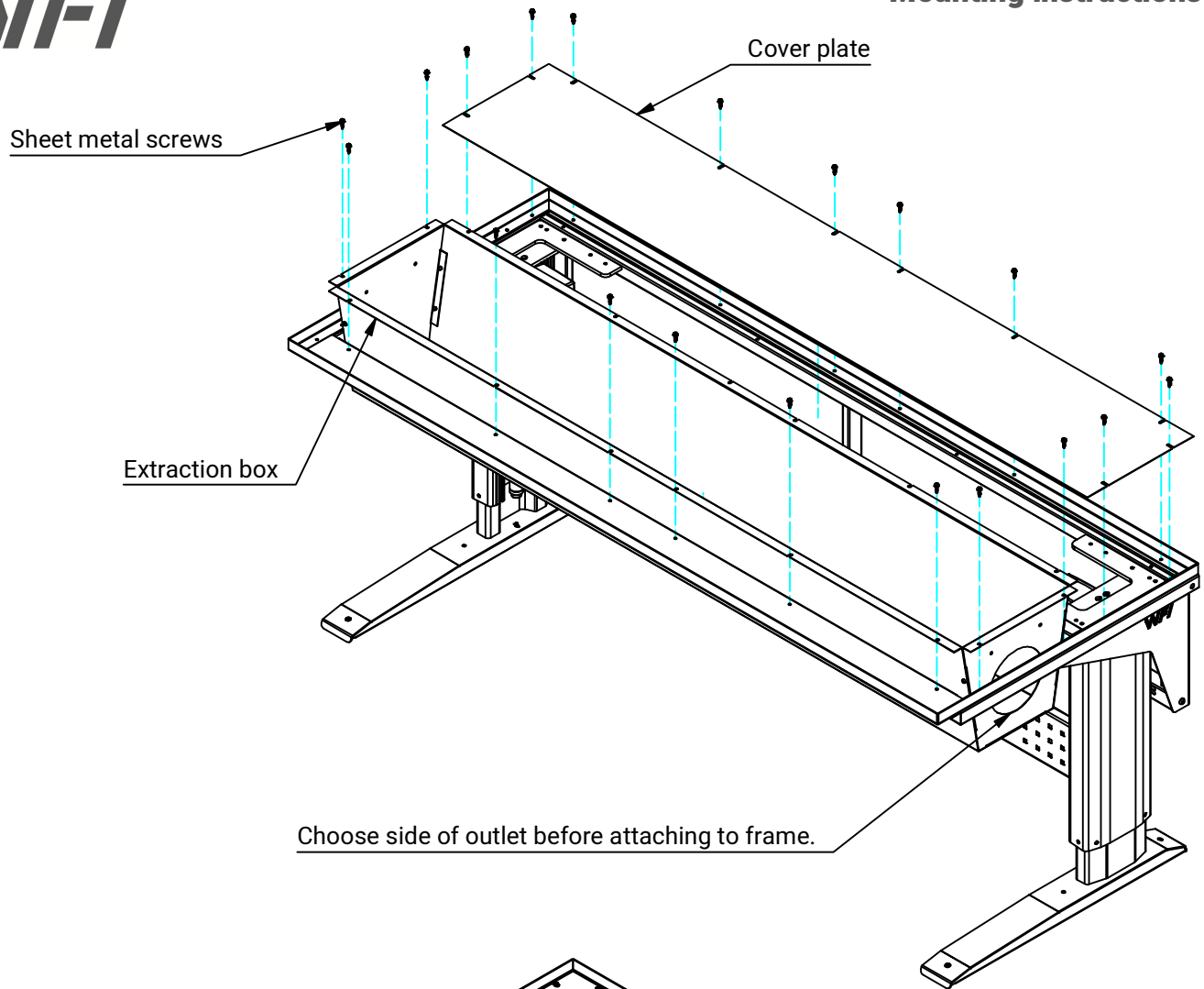




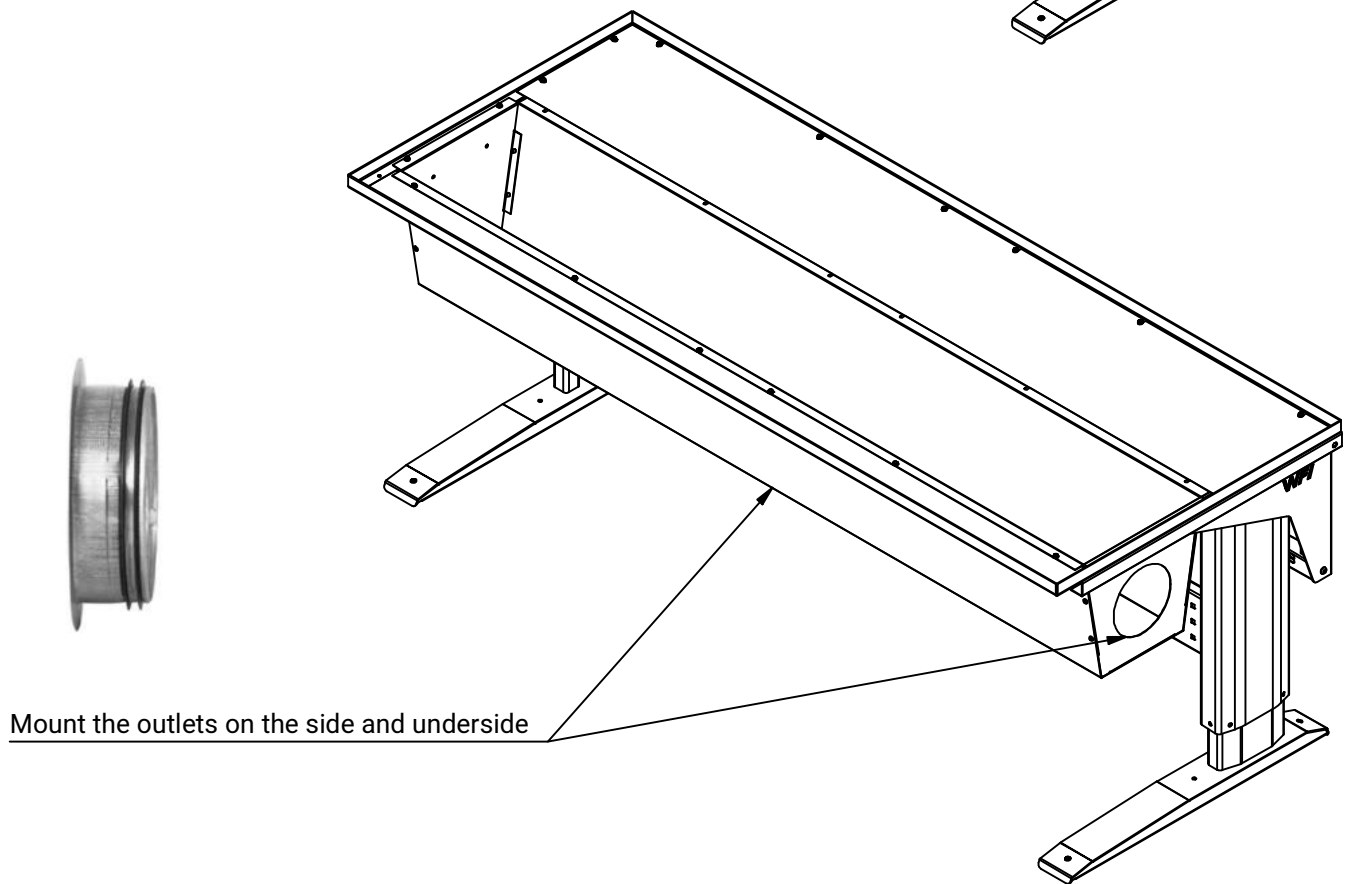


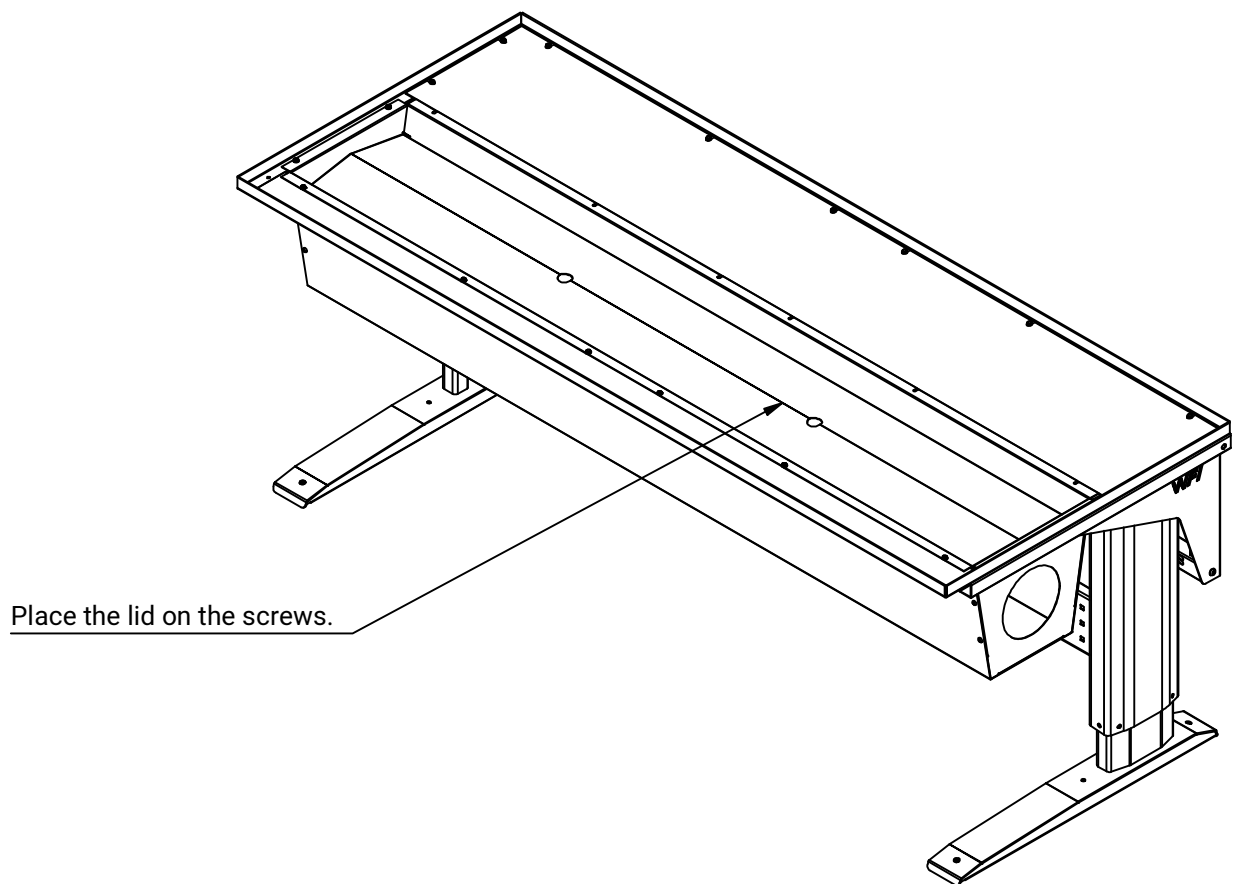
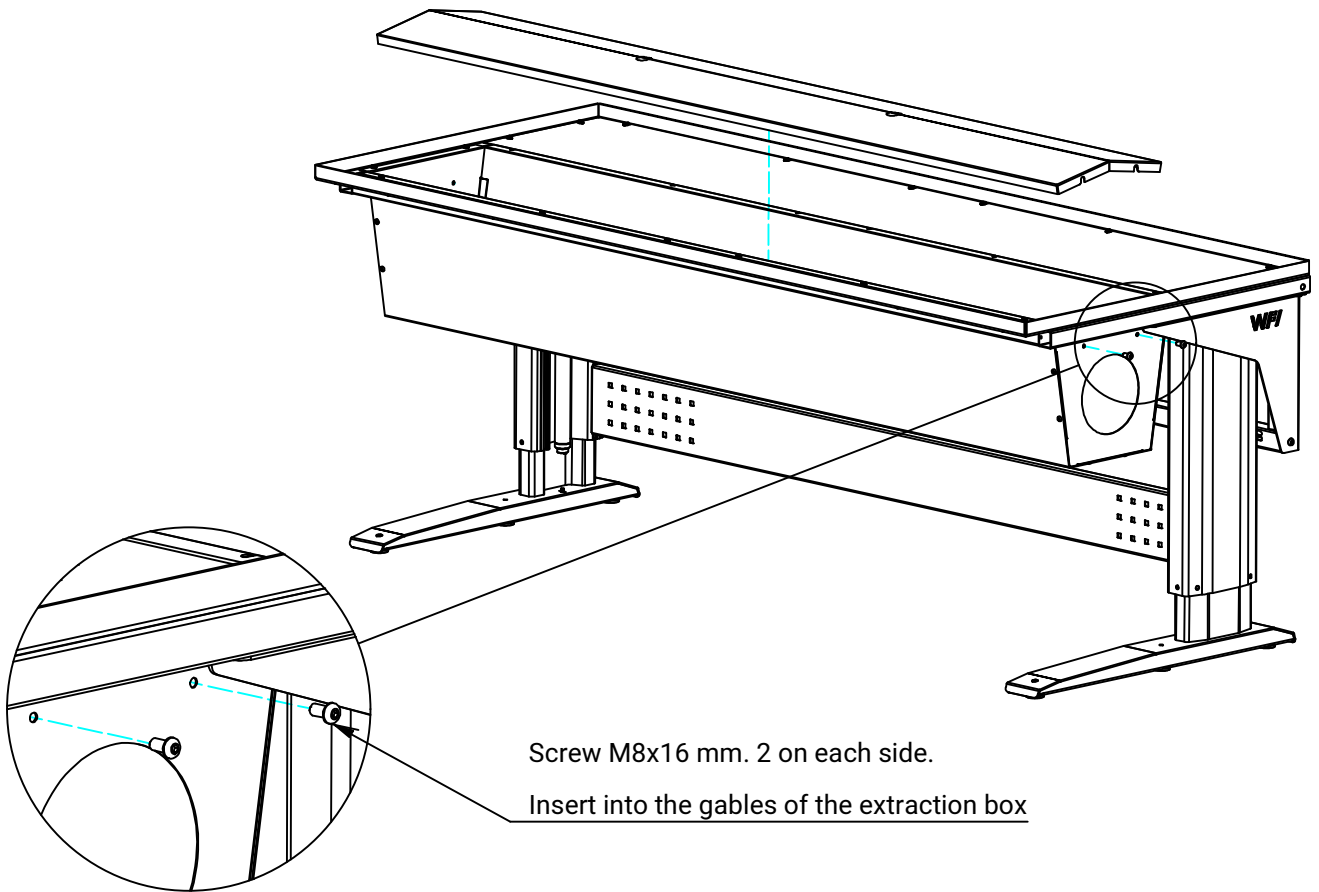


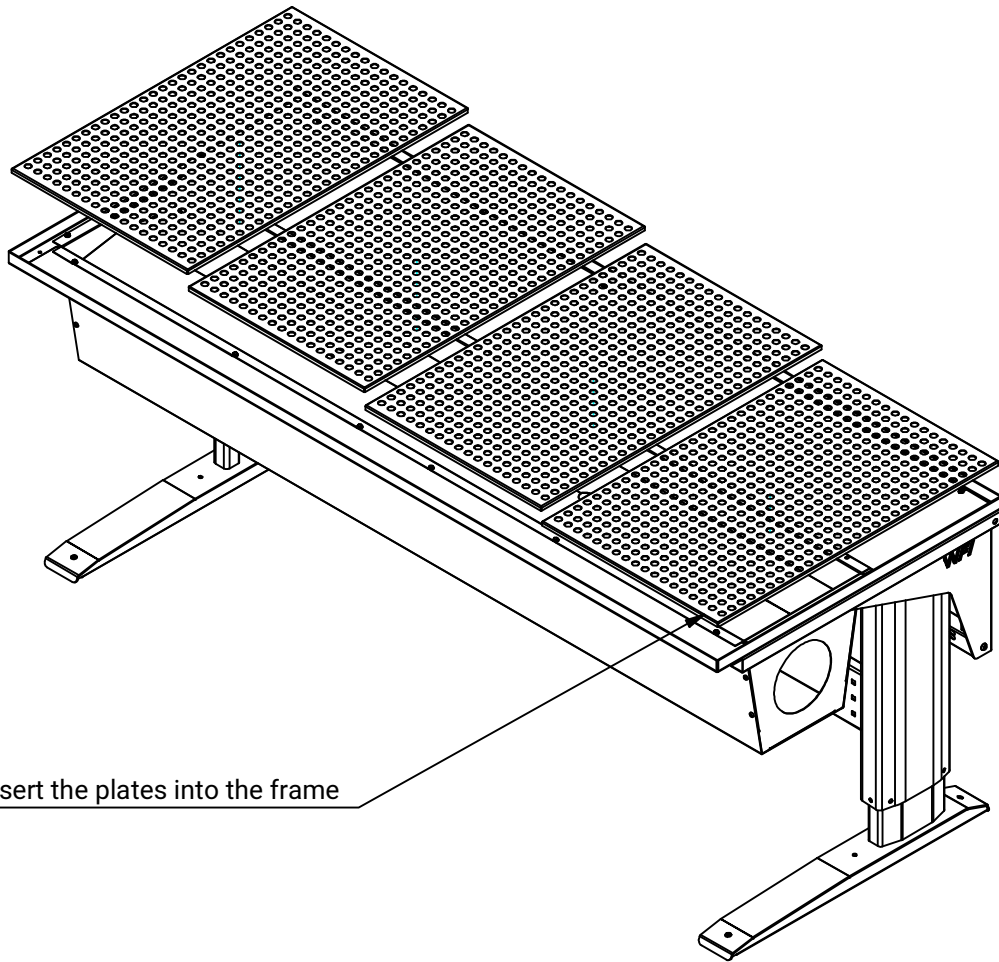




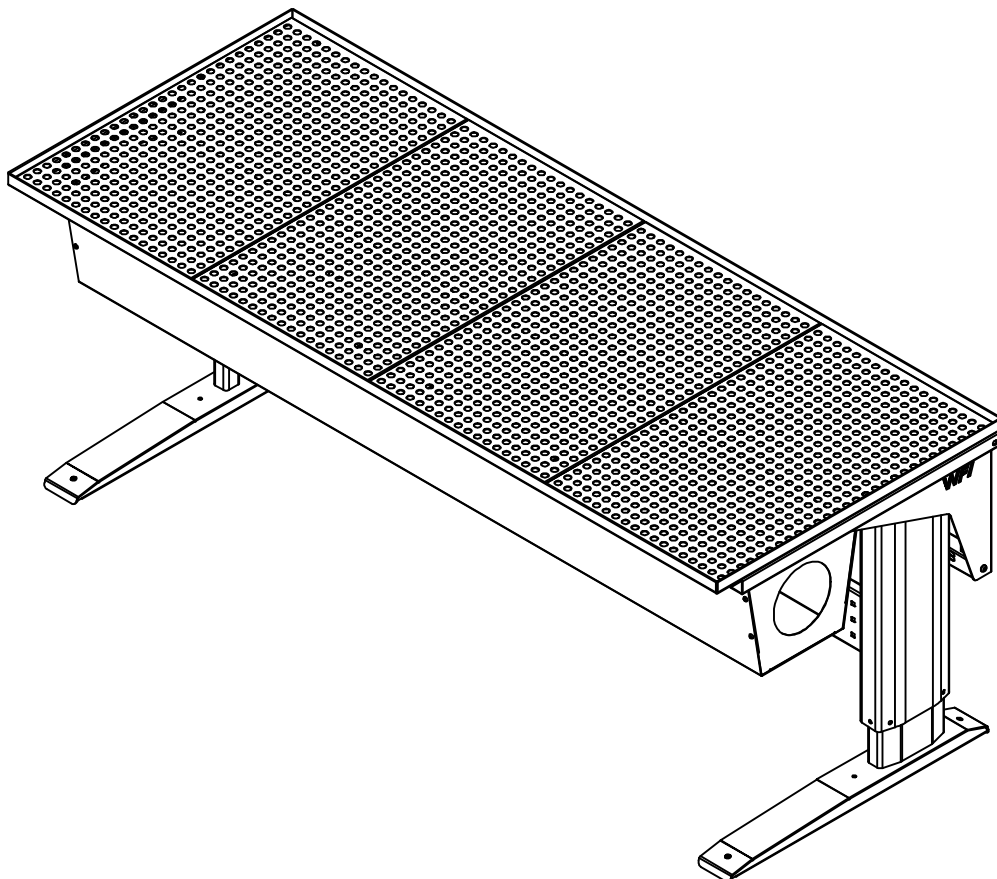
Choose side of outlet before attaching to frame.



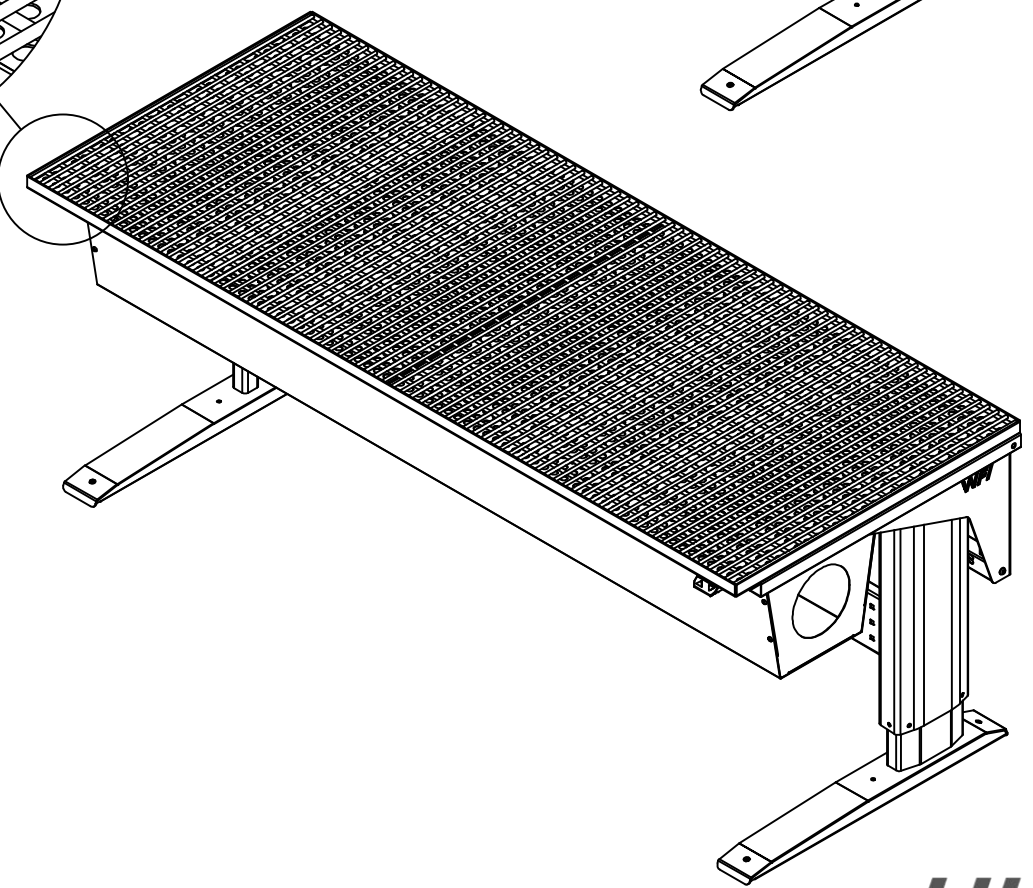
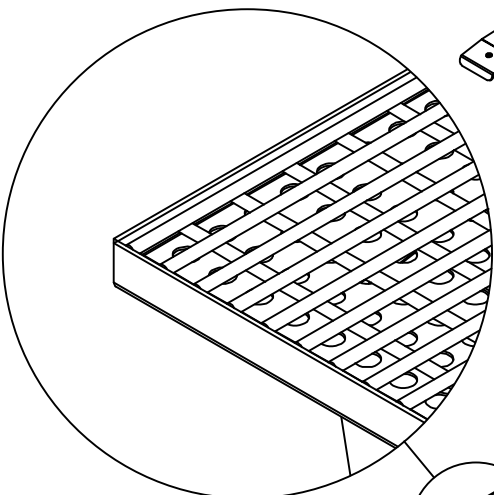
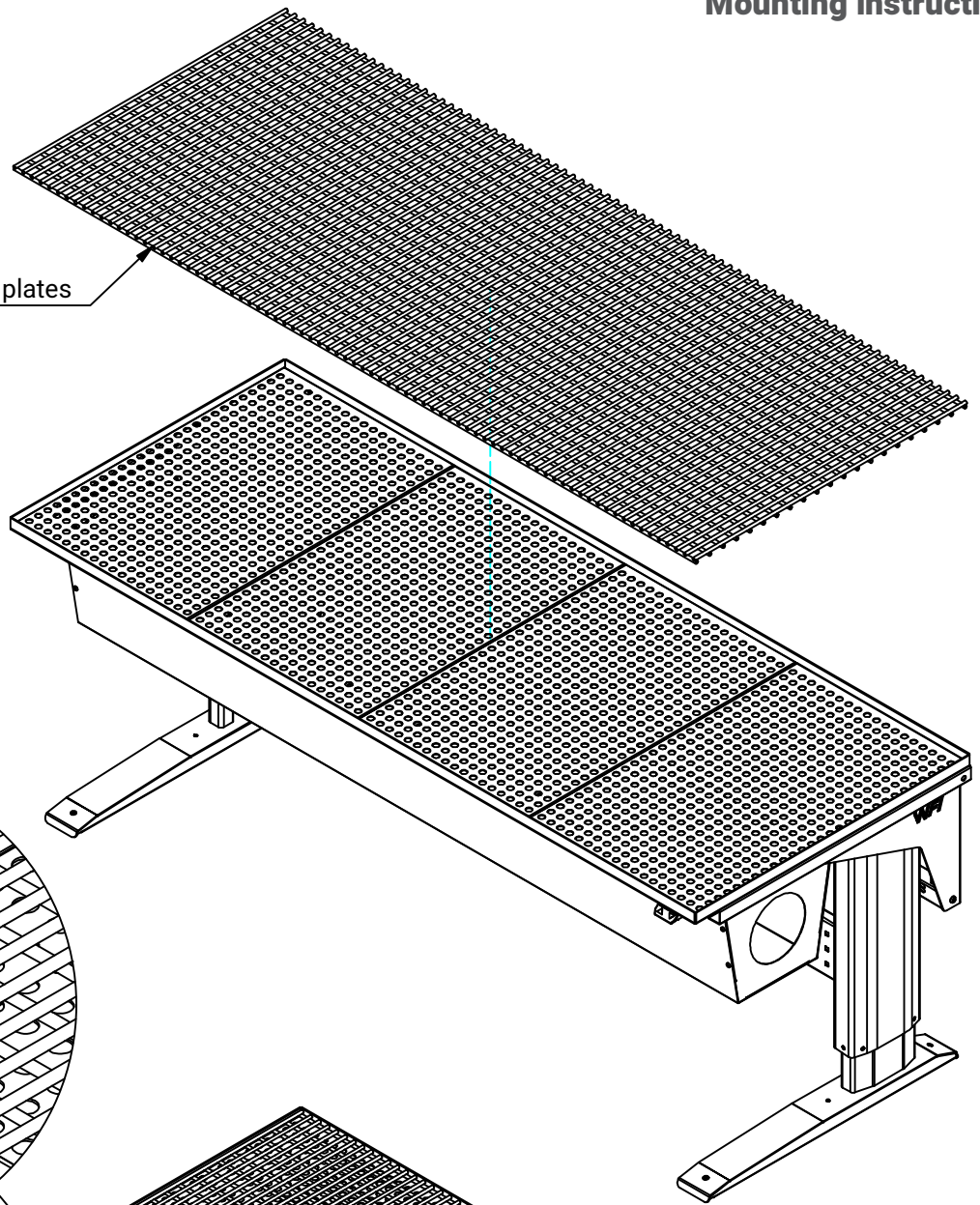




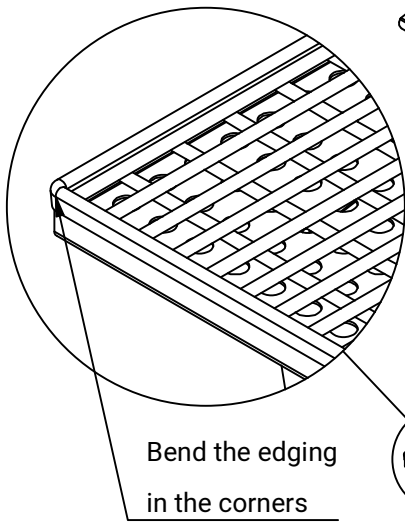
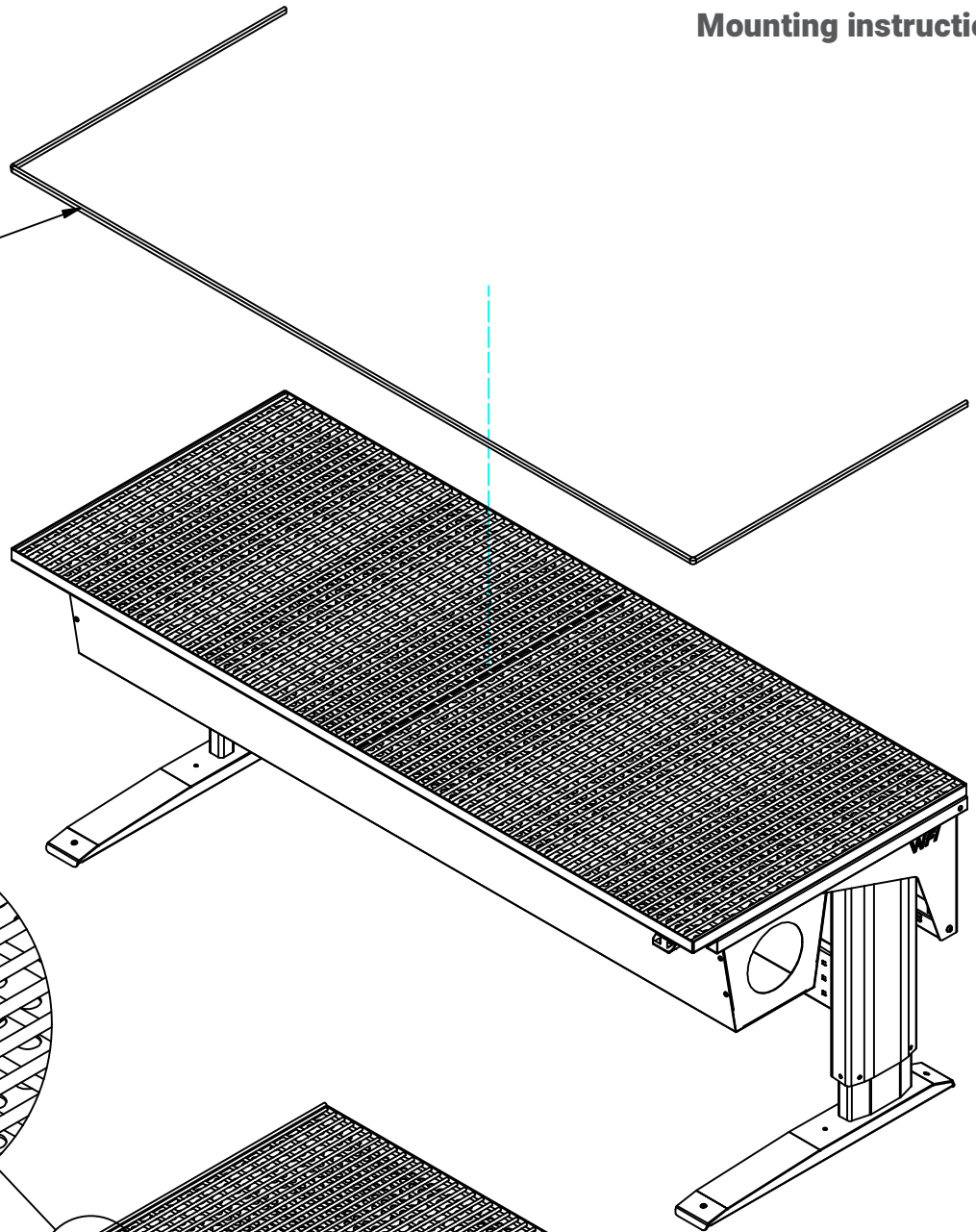
Insert the plates into the frame



Place the mat on the strainer plates



Place the PVC edging on the edges of the top frame.



Bend the edging in the corners

