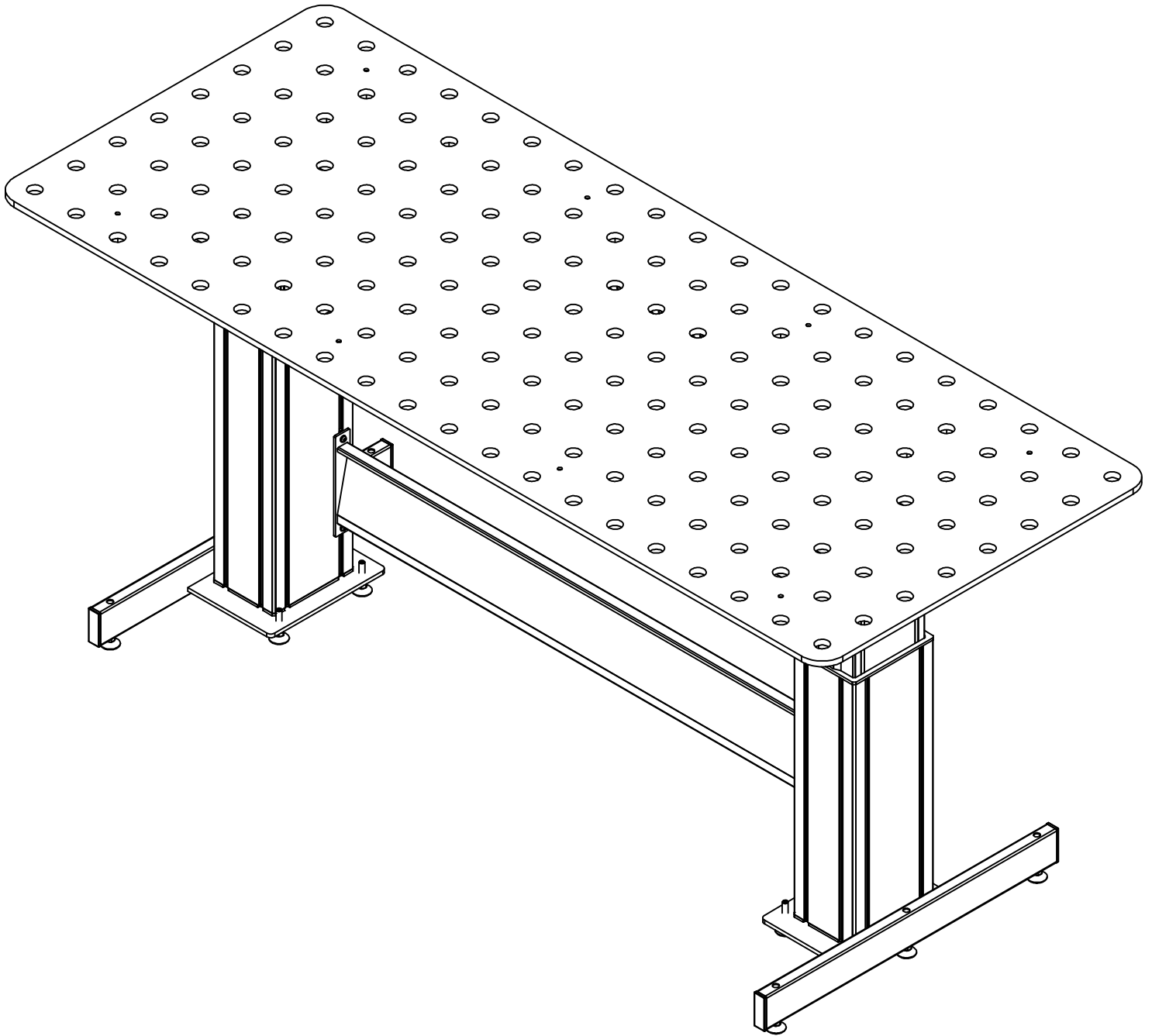
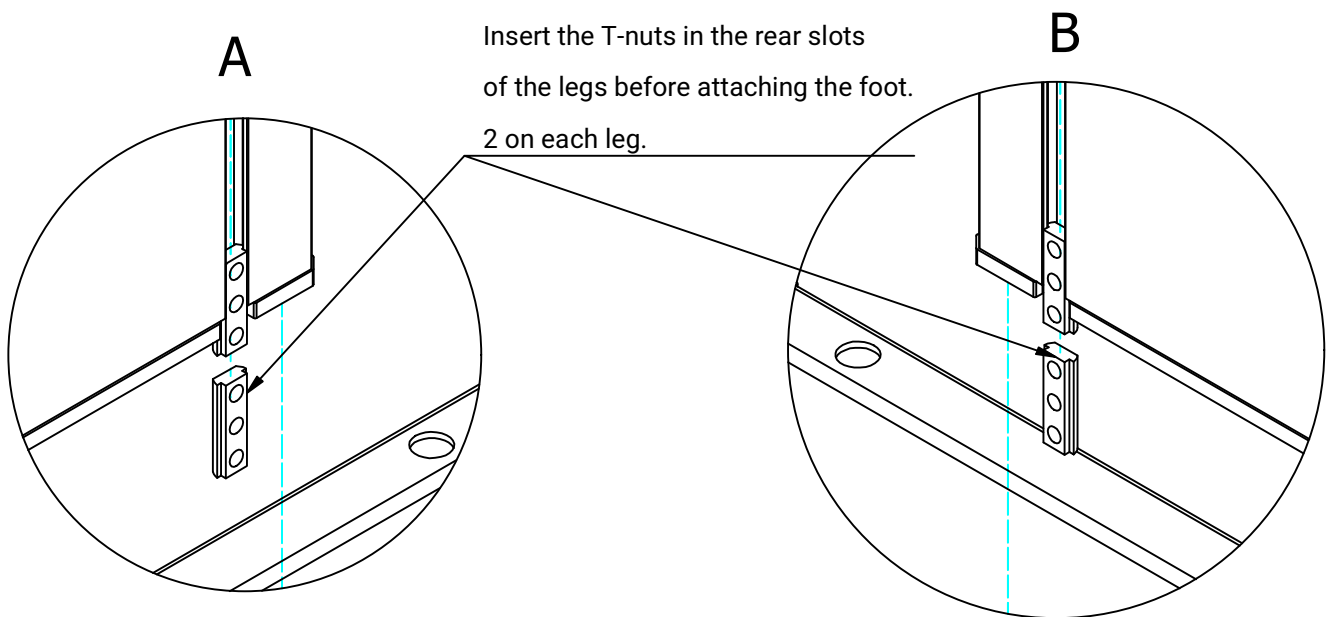
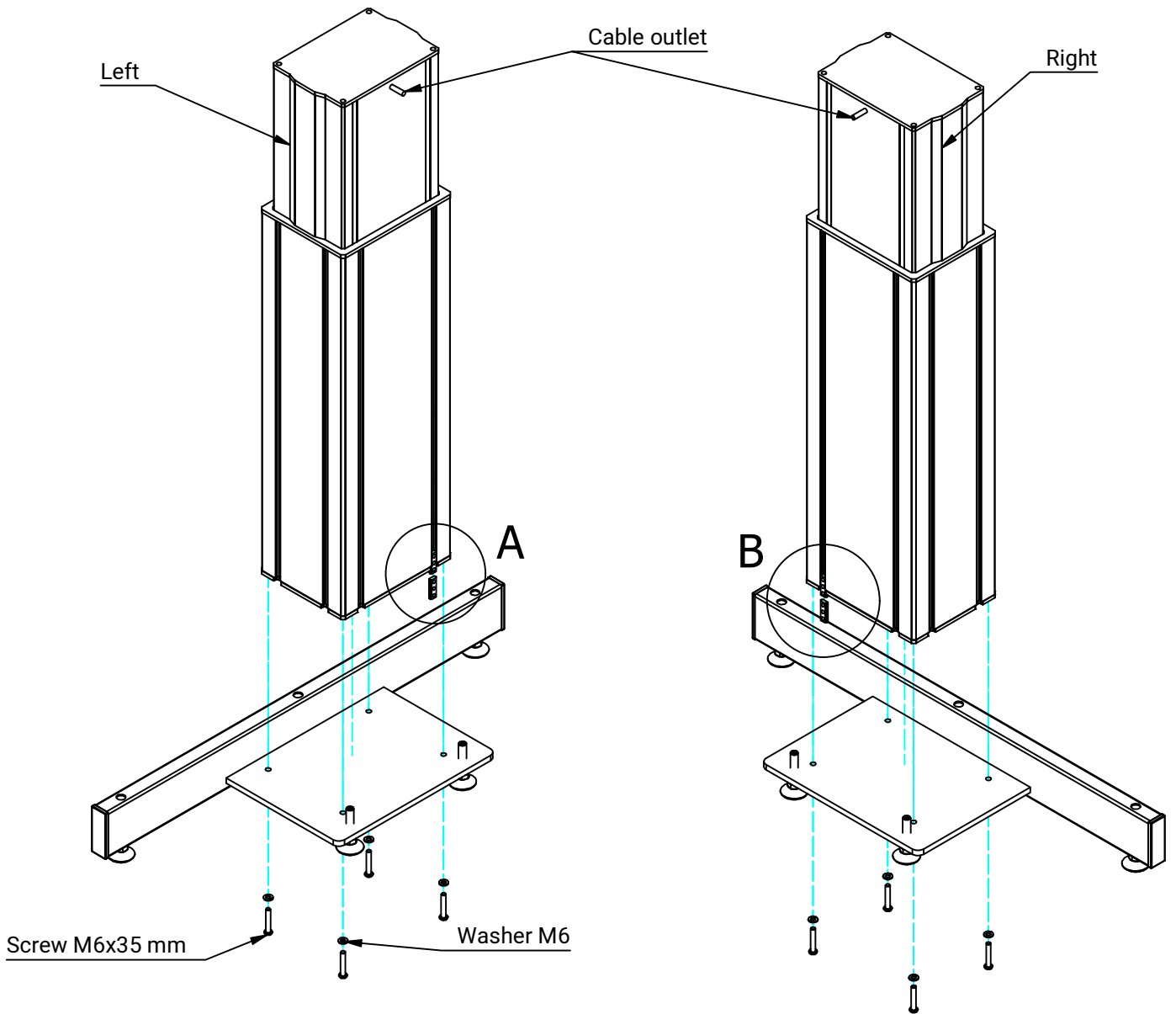


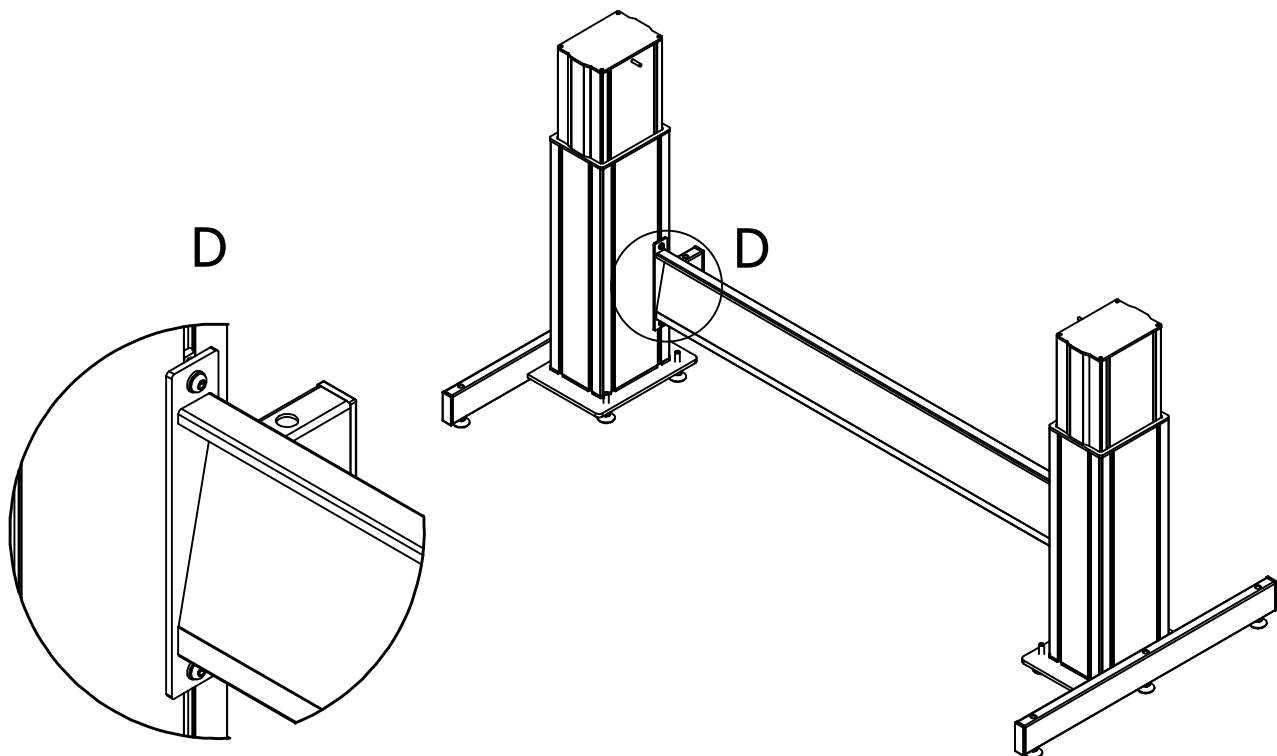
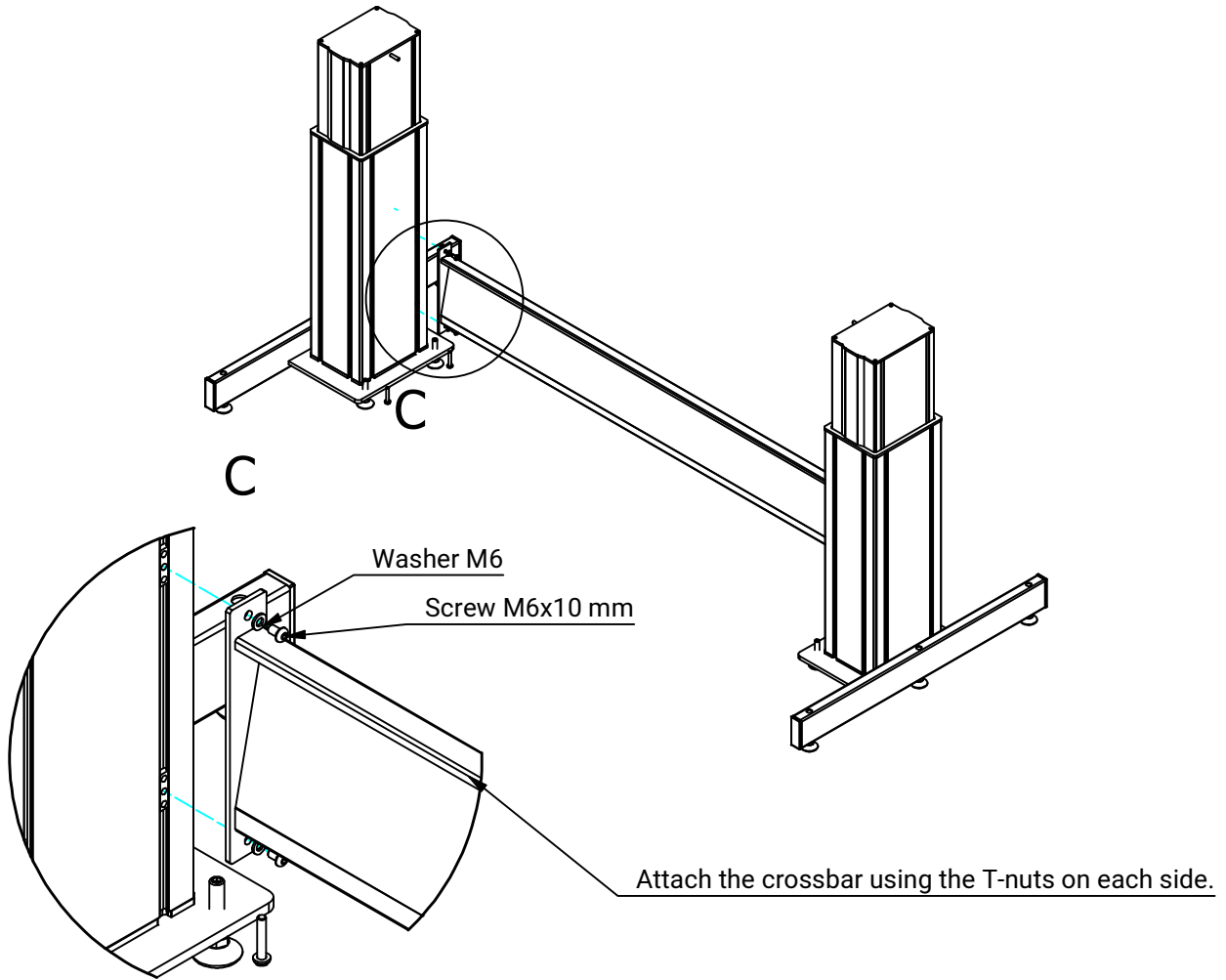


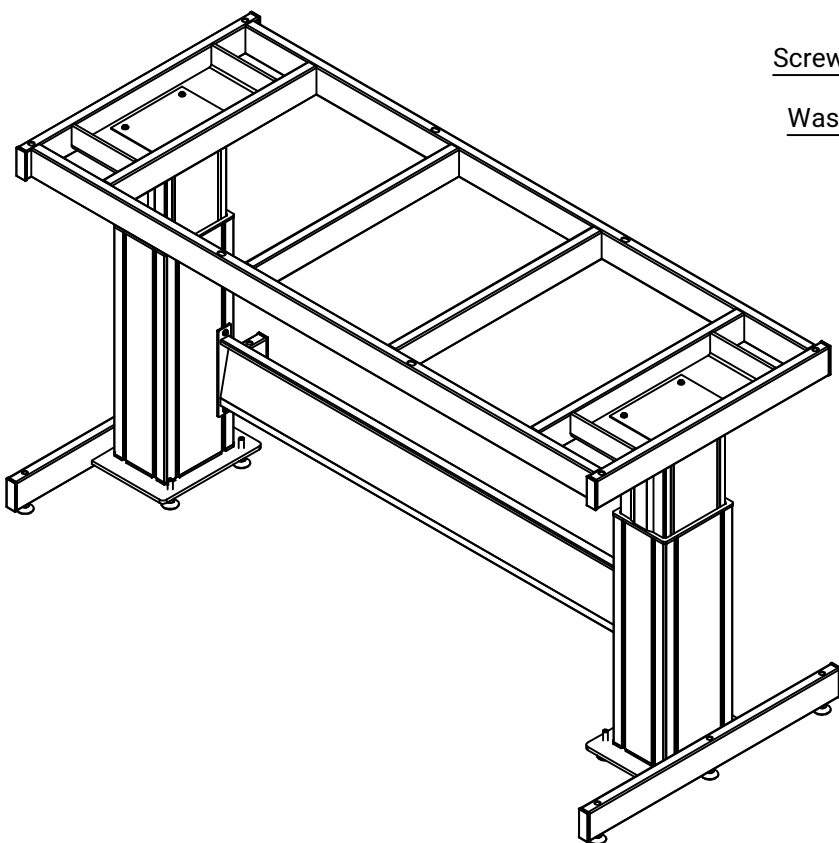
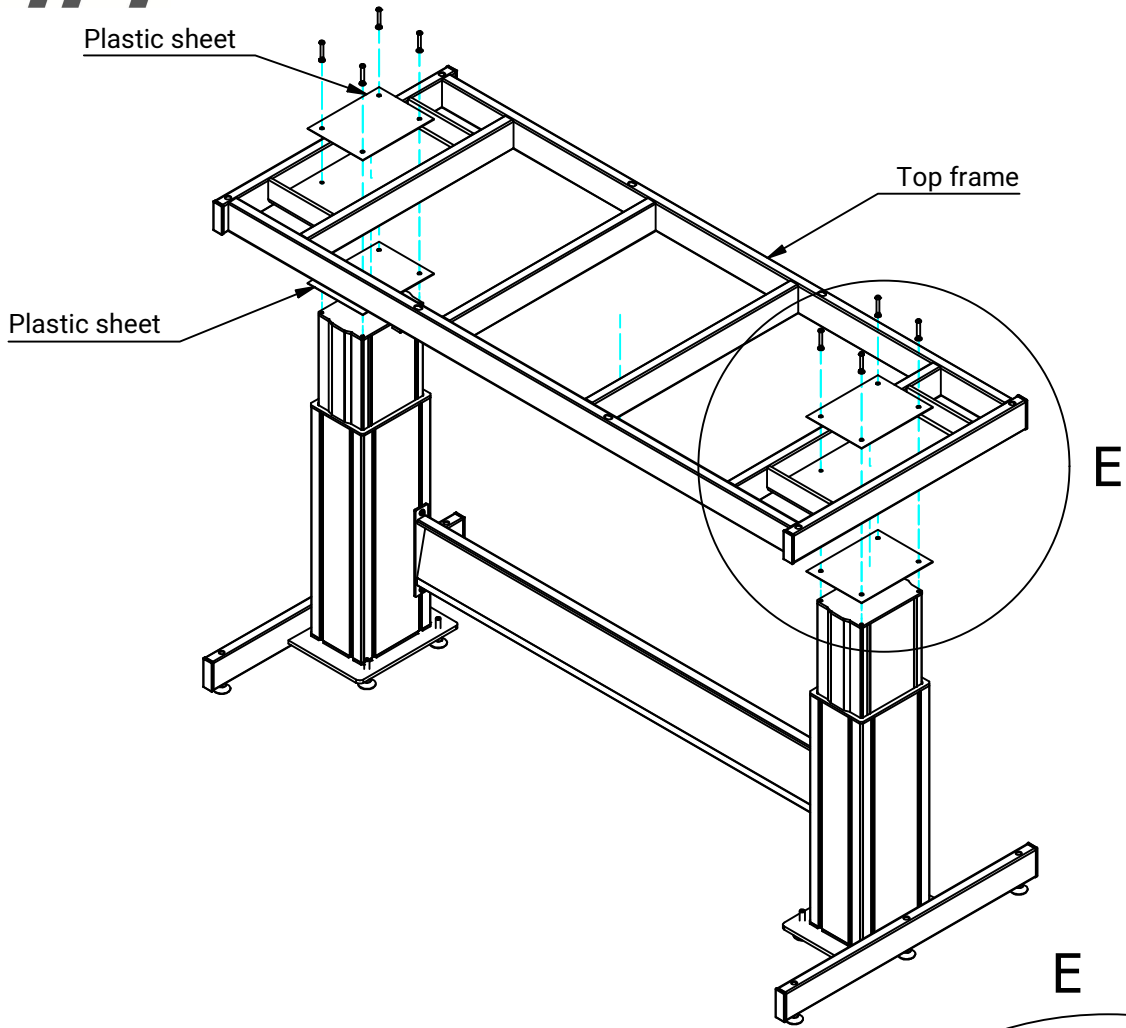
Welding table

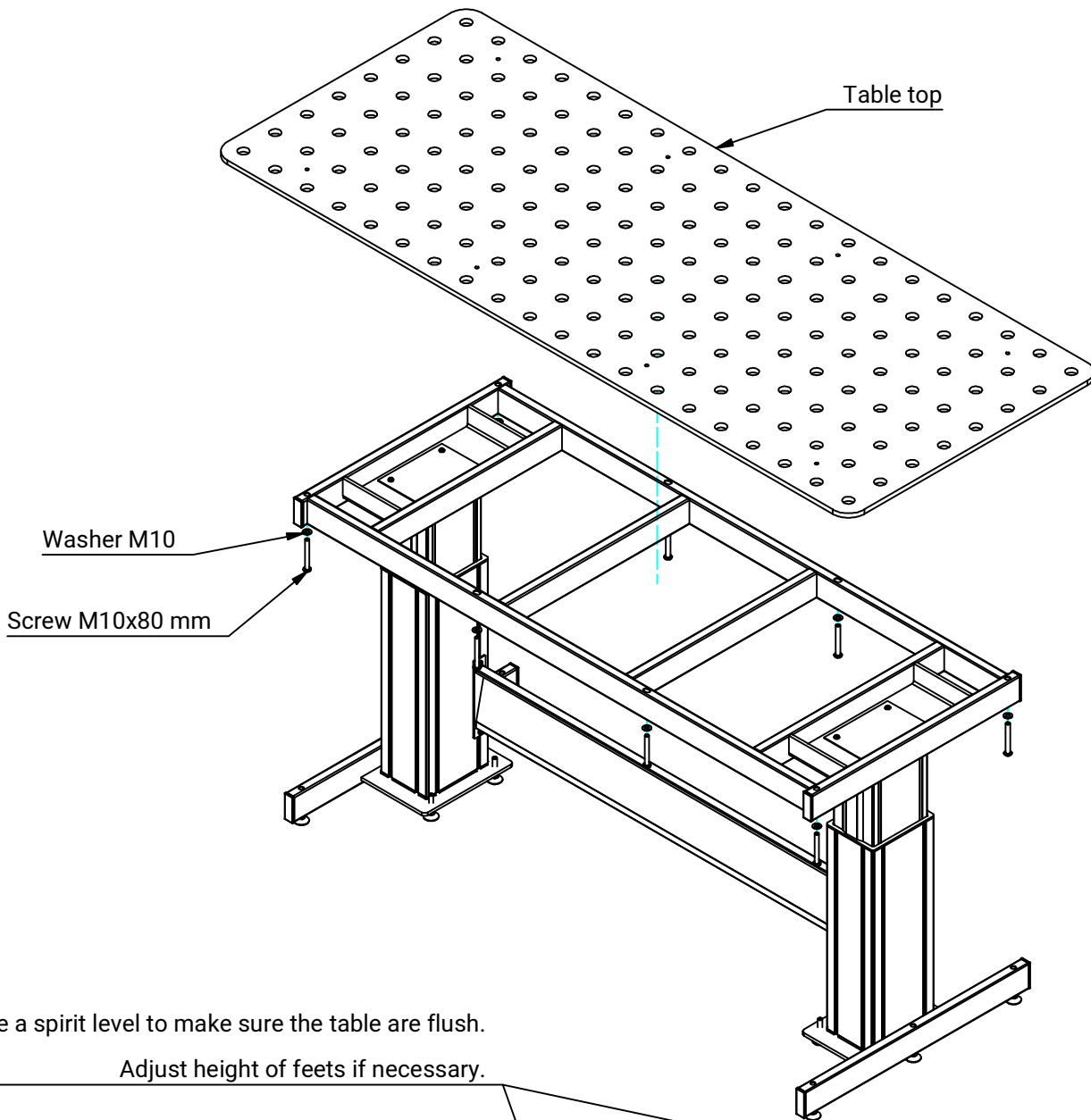
1-43X-X





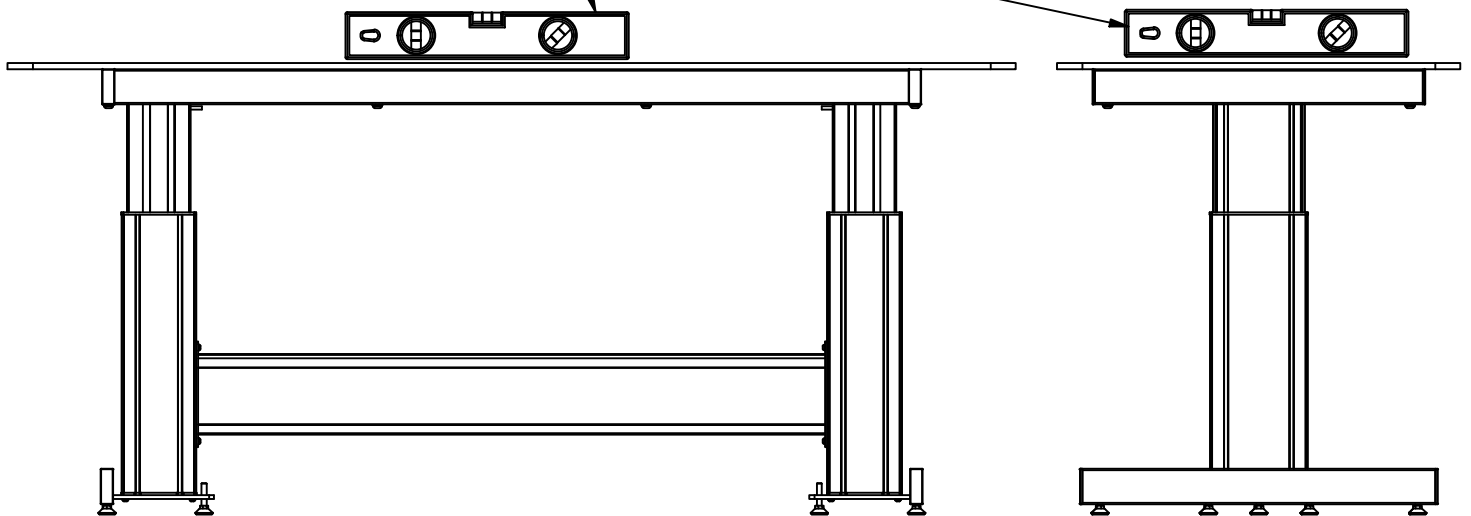


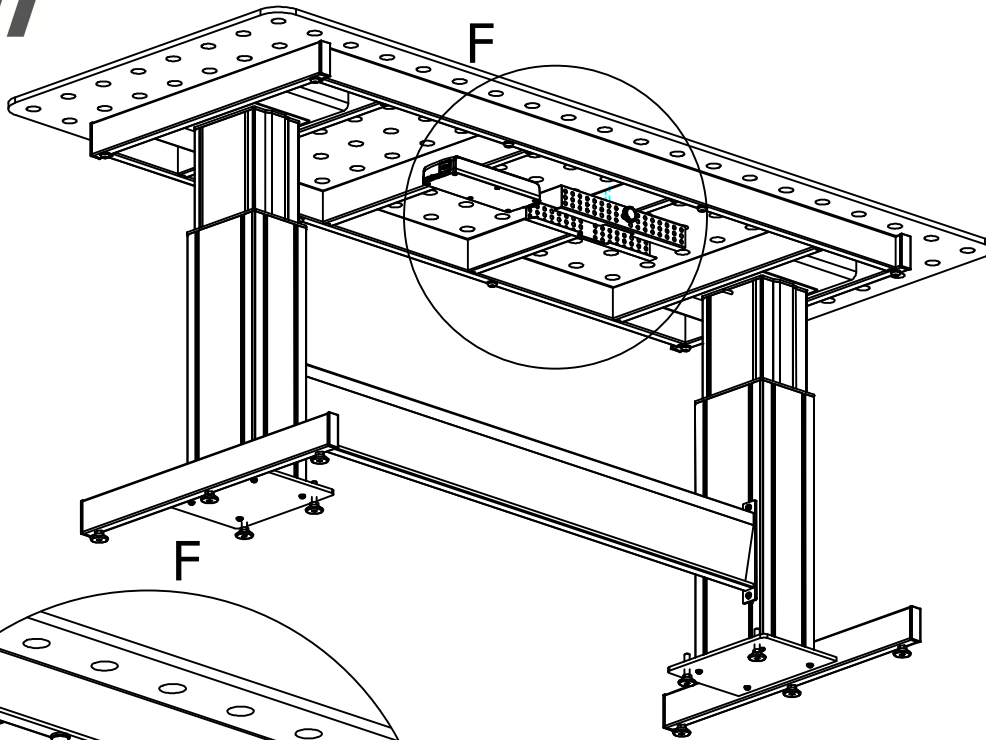




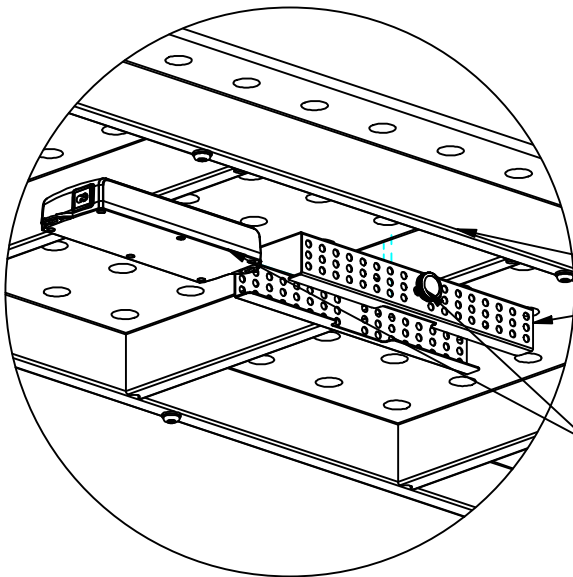
Use a spirit level to make sure the table are flush.

Adjust height of feets if necessary.

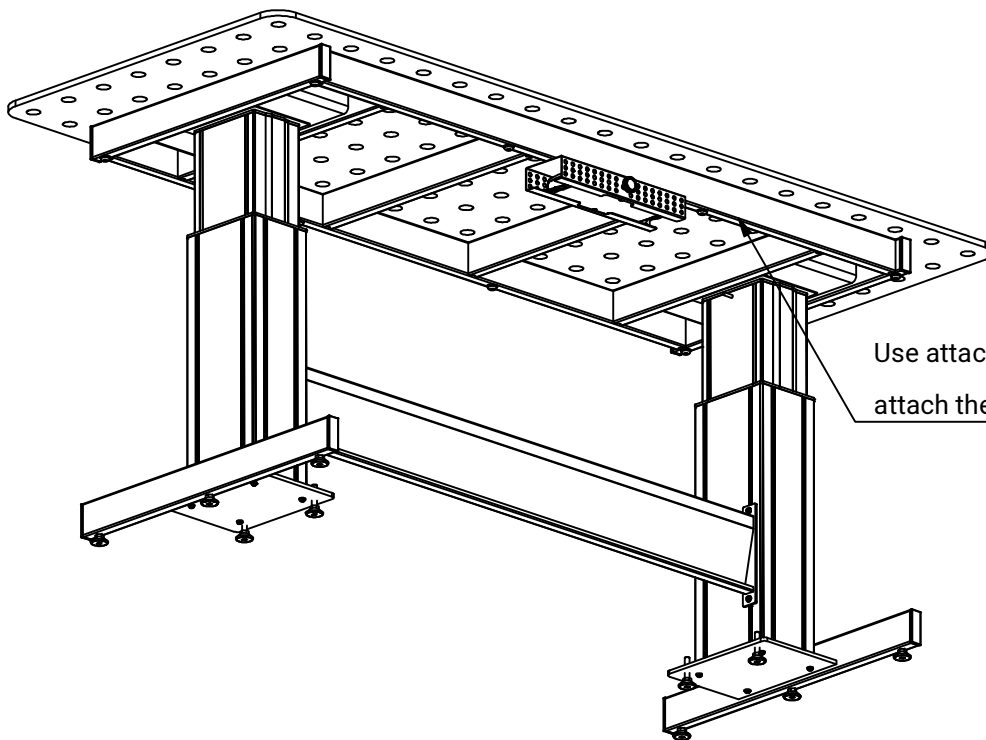




Attach the control box holder to the frame using the magnet.



Slide the control box into the holder and use the screw to lock the control box



Use attached Cable clips to attach the cables to the underside of the frame.

