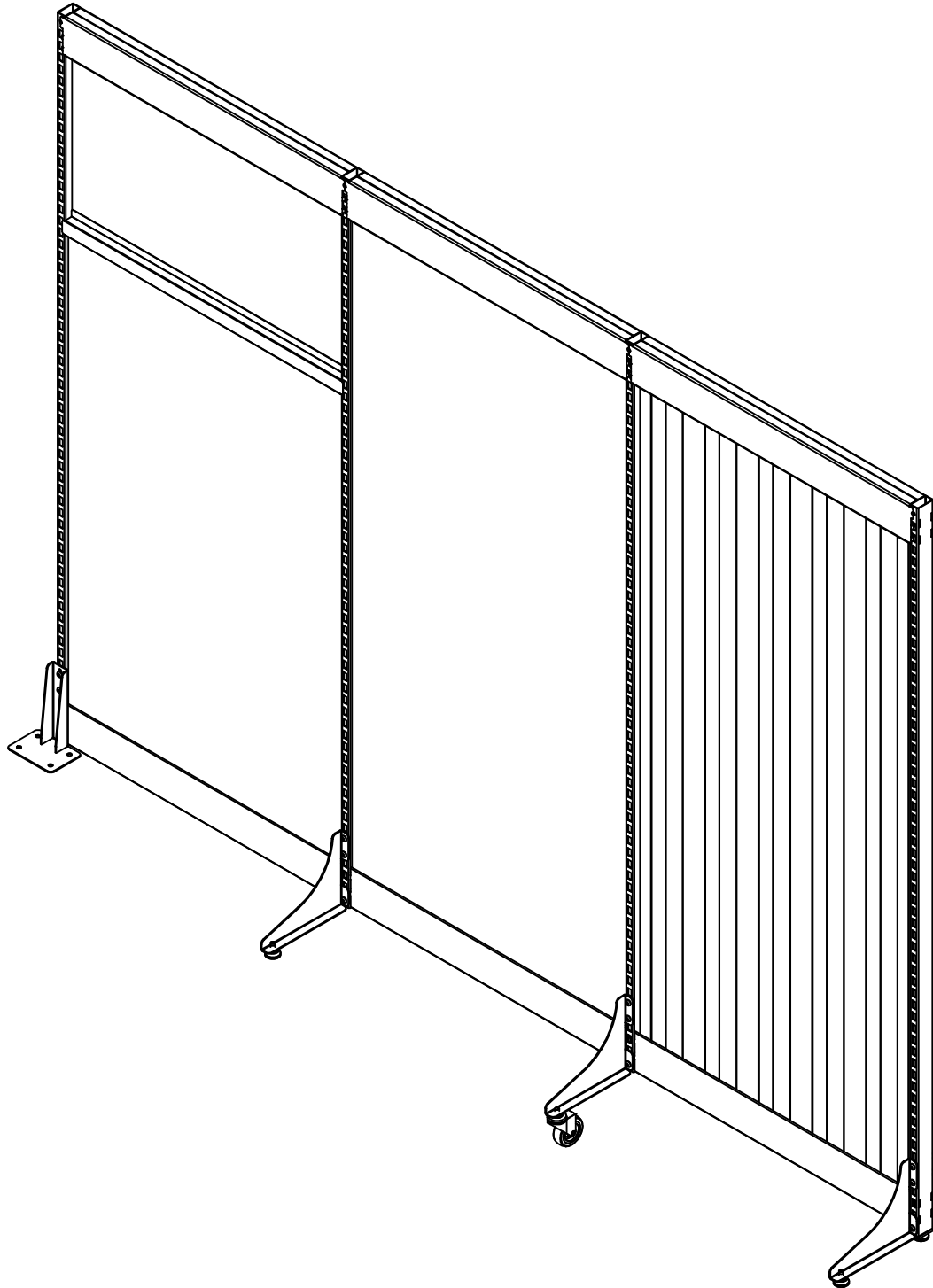


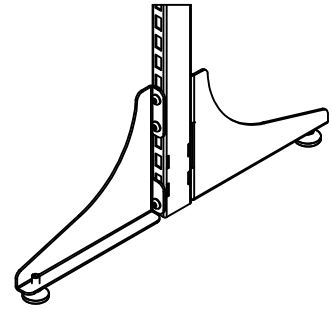


615XXX

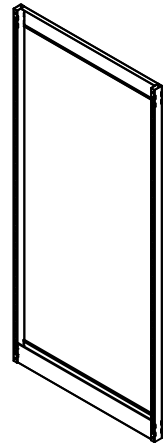
Partitioning Wall



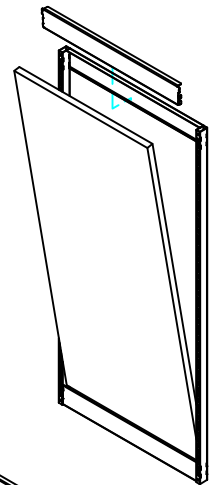
Step 1: Mount chosen feet on all of the uprights



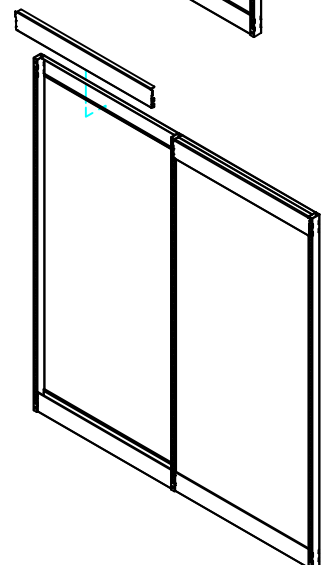
Step 2: Mount the start-section as shown in this instruction



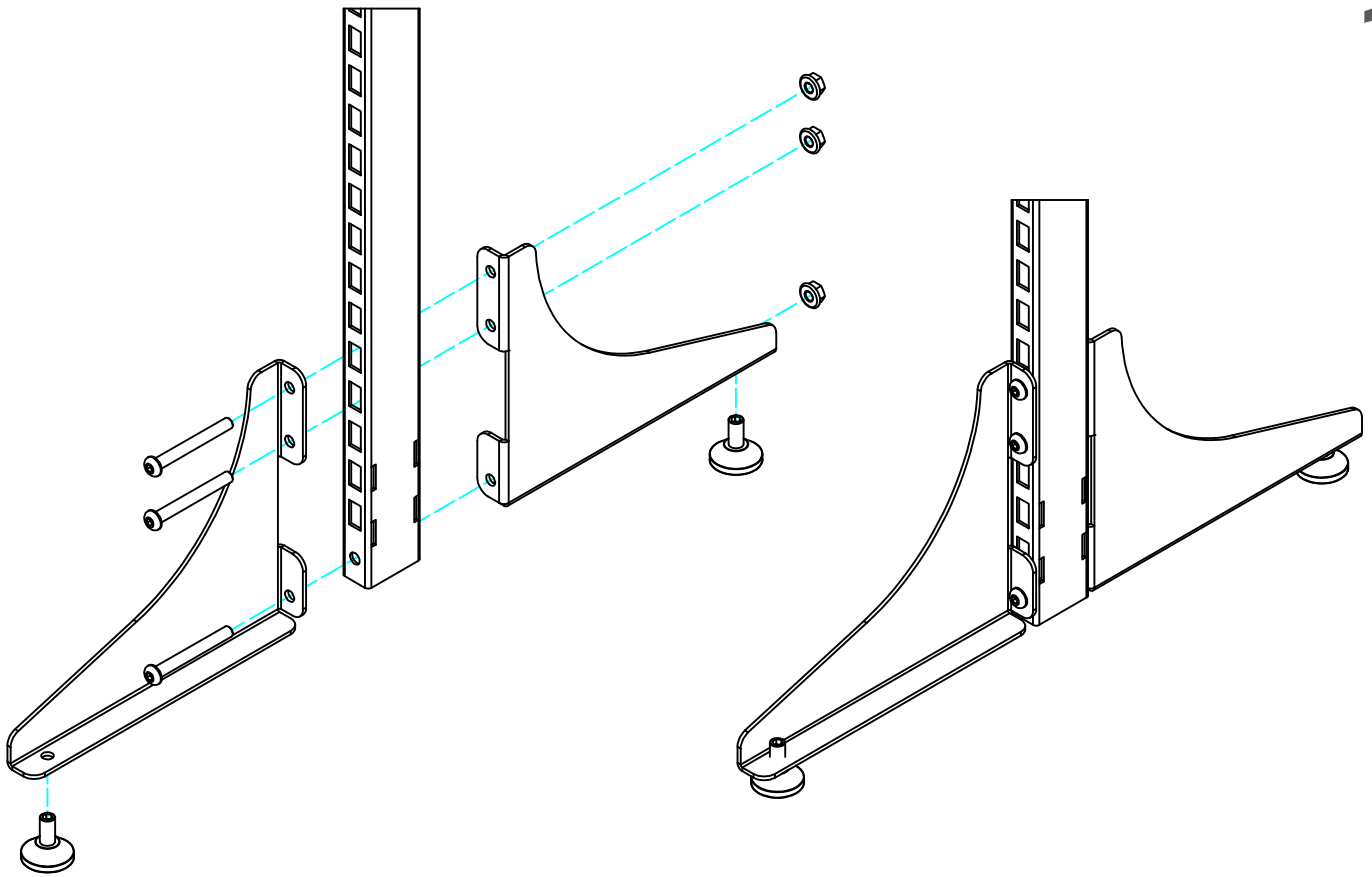
Step 3: Mount chosen insert as shown in this instruction



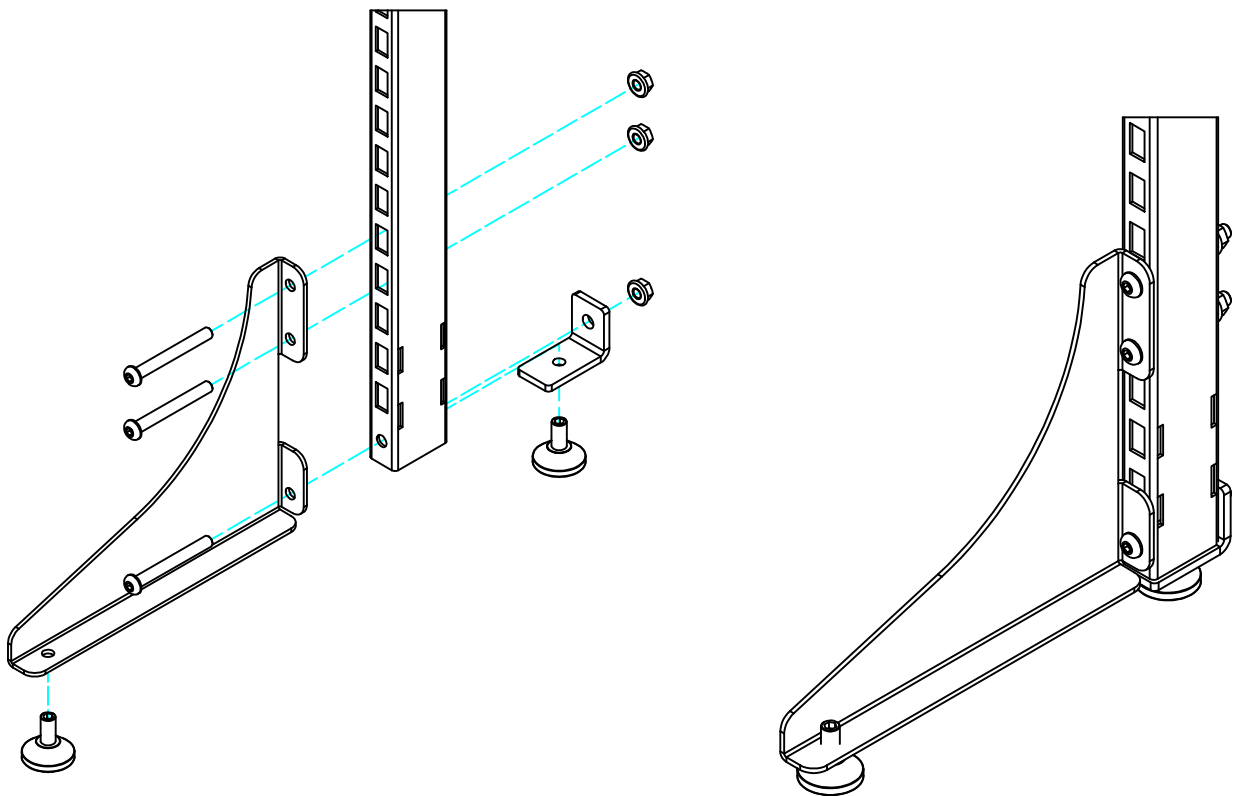
Step 4: Mount the following sections with chosen insert



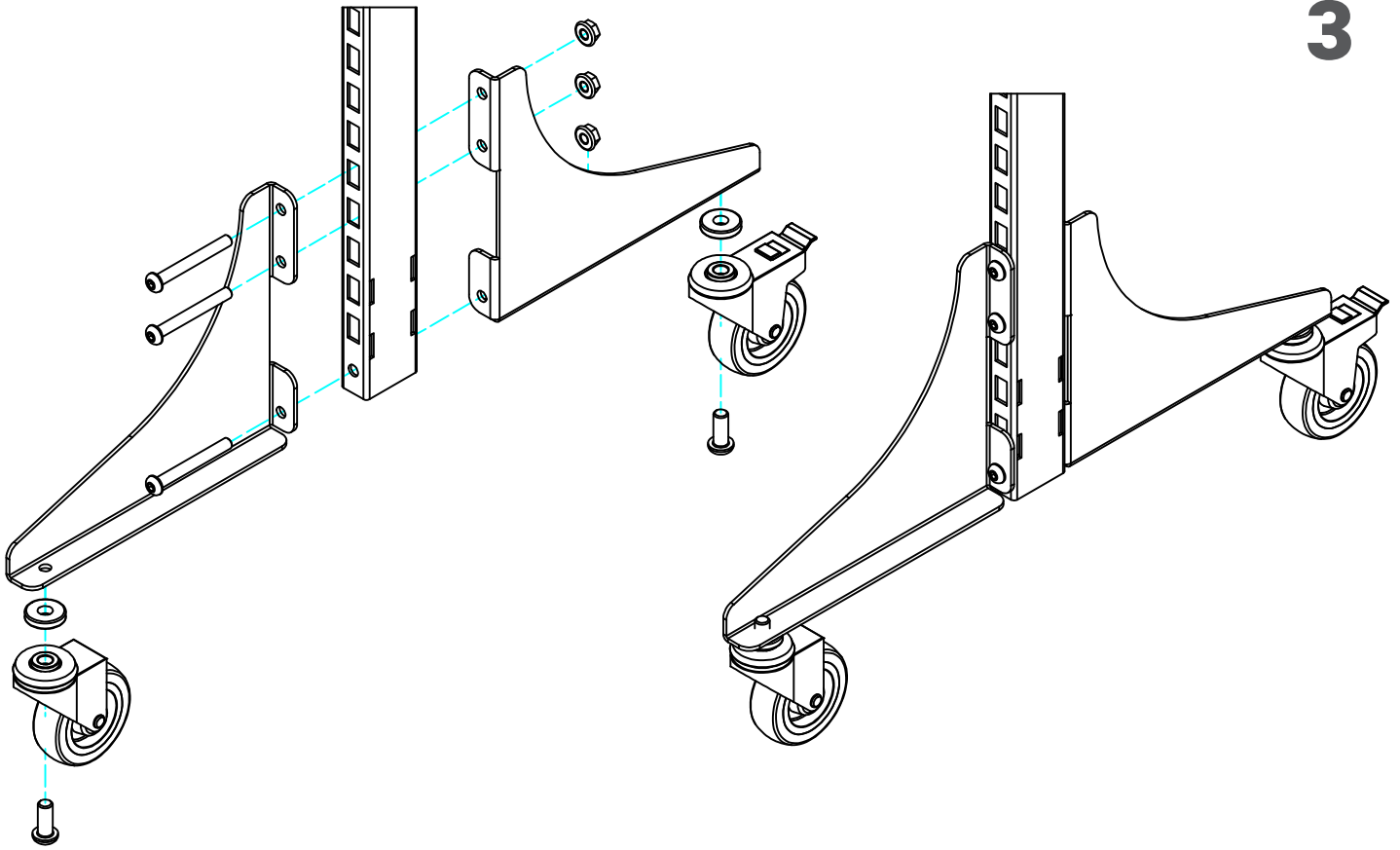
1



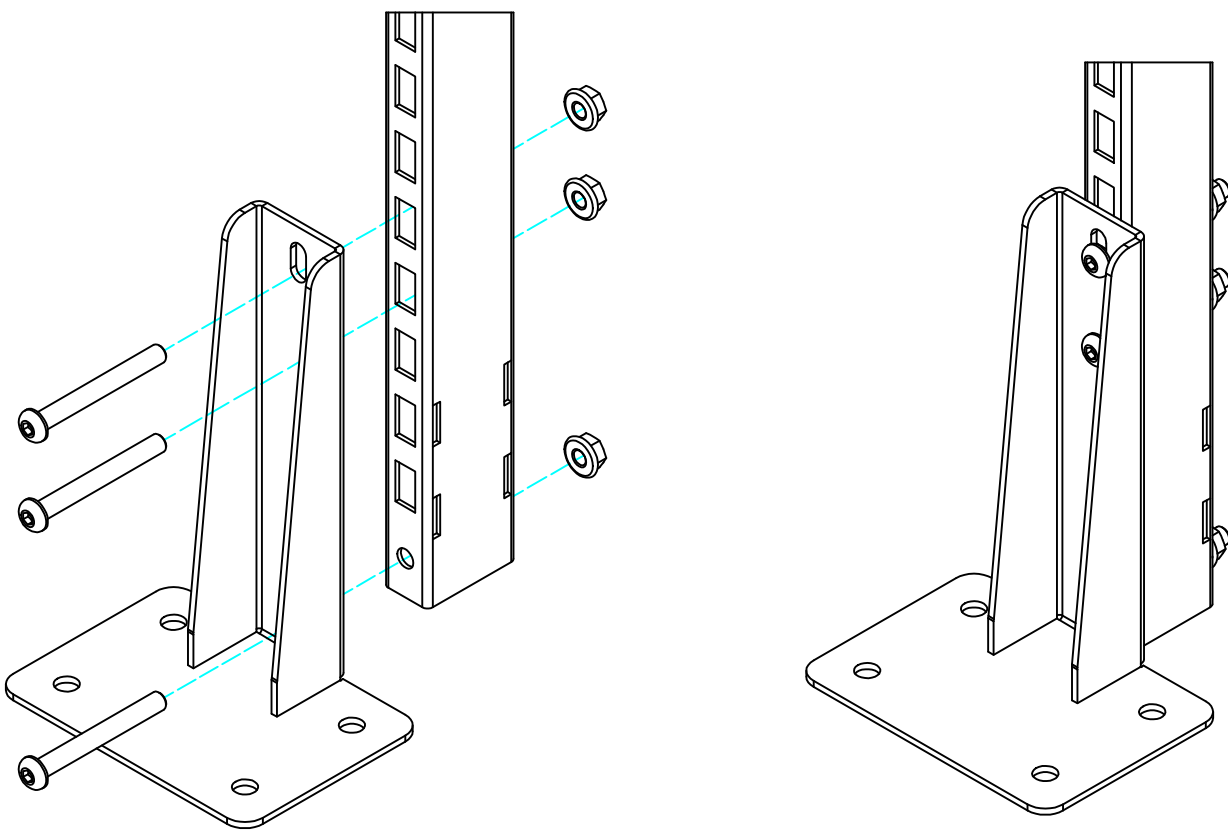
2

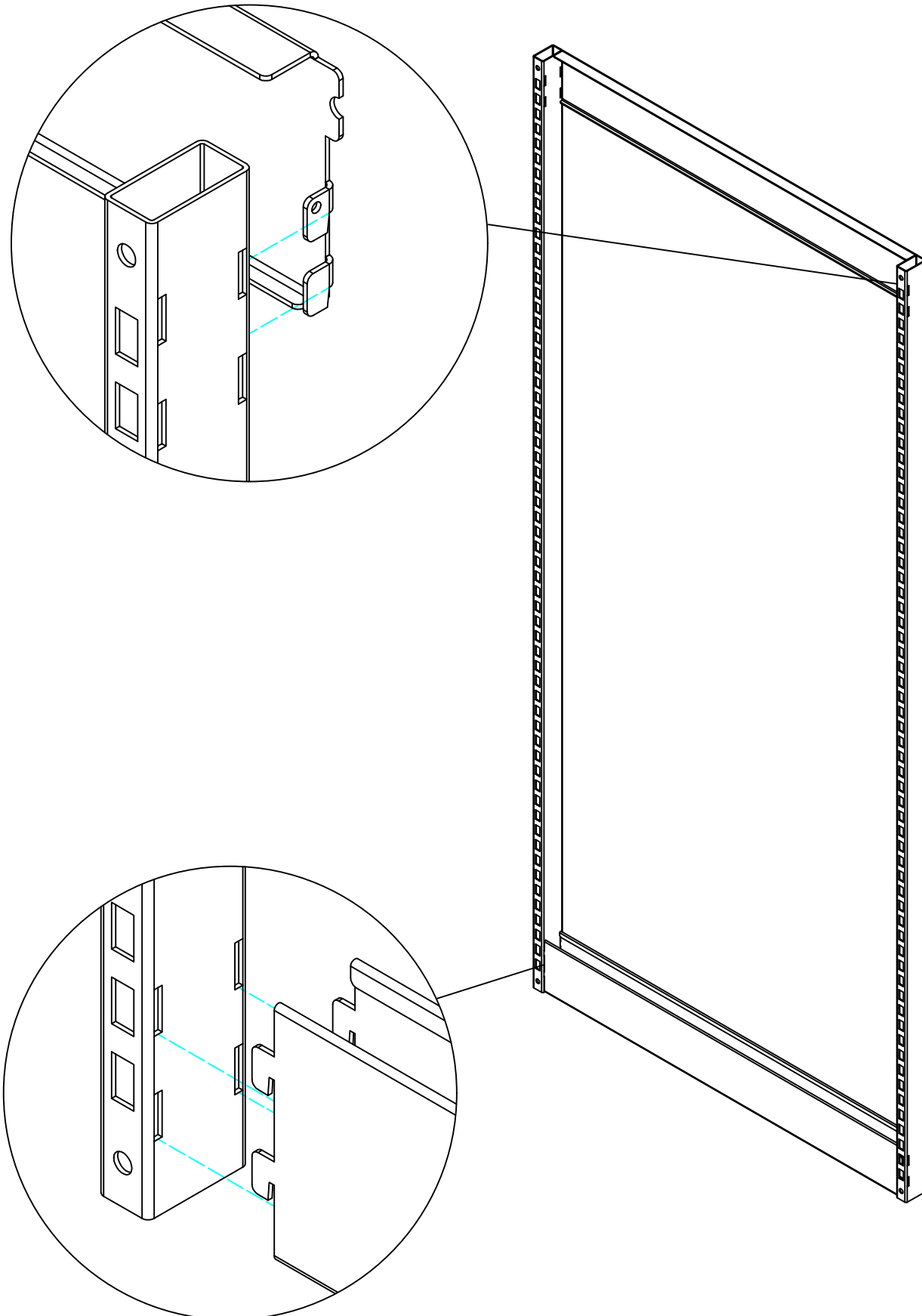


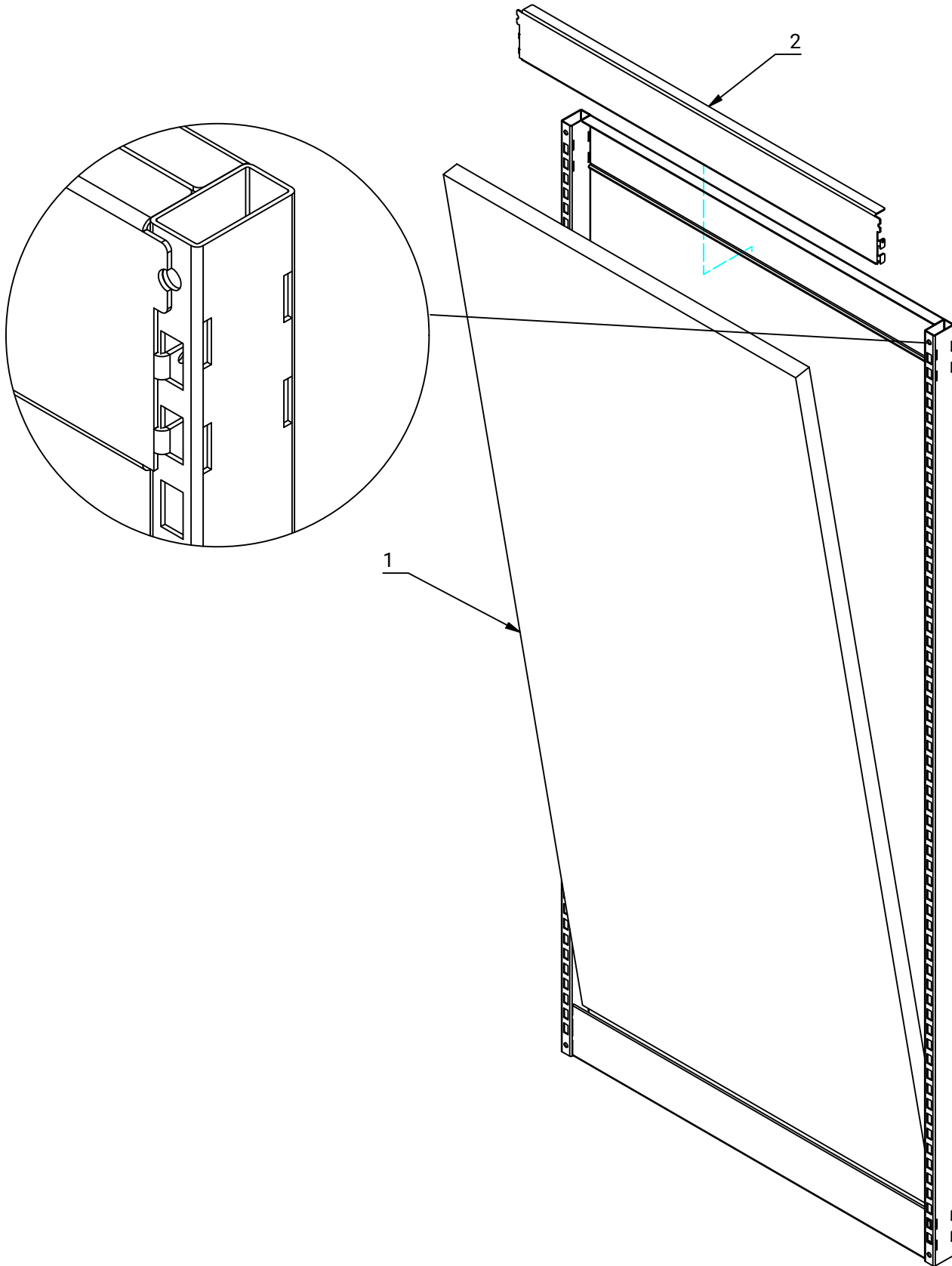
3

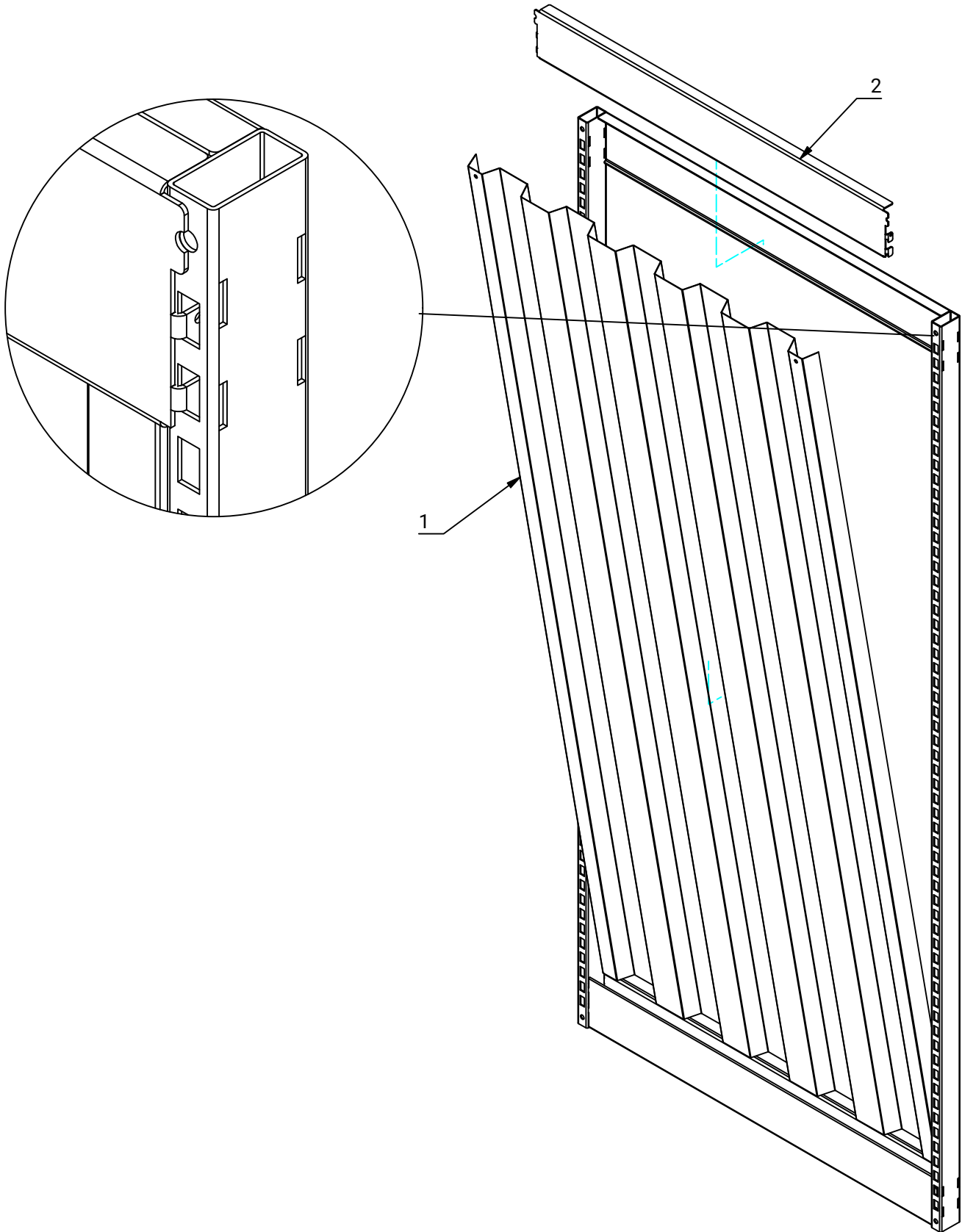


4



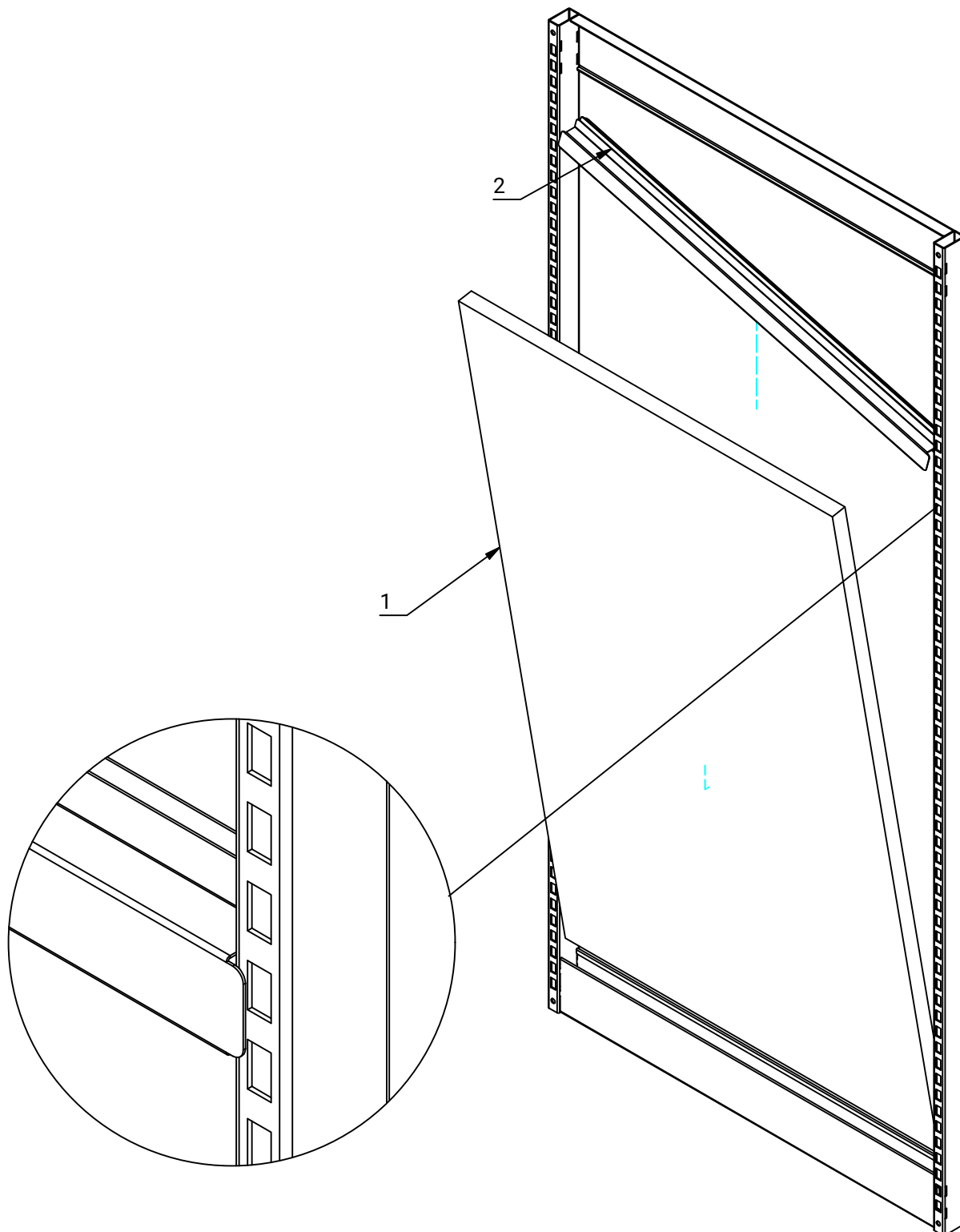






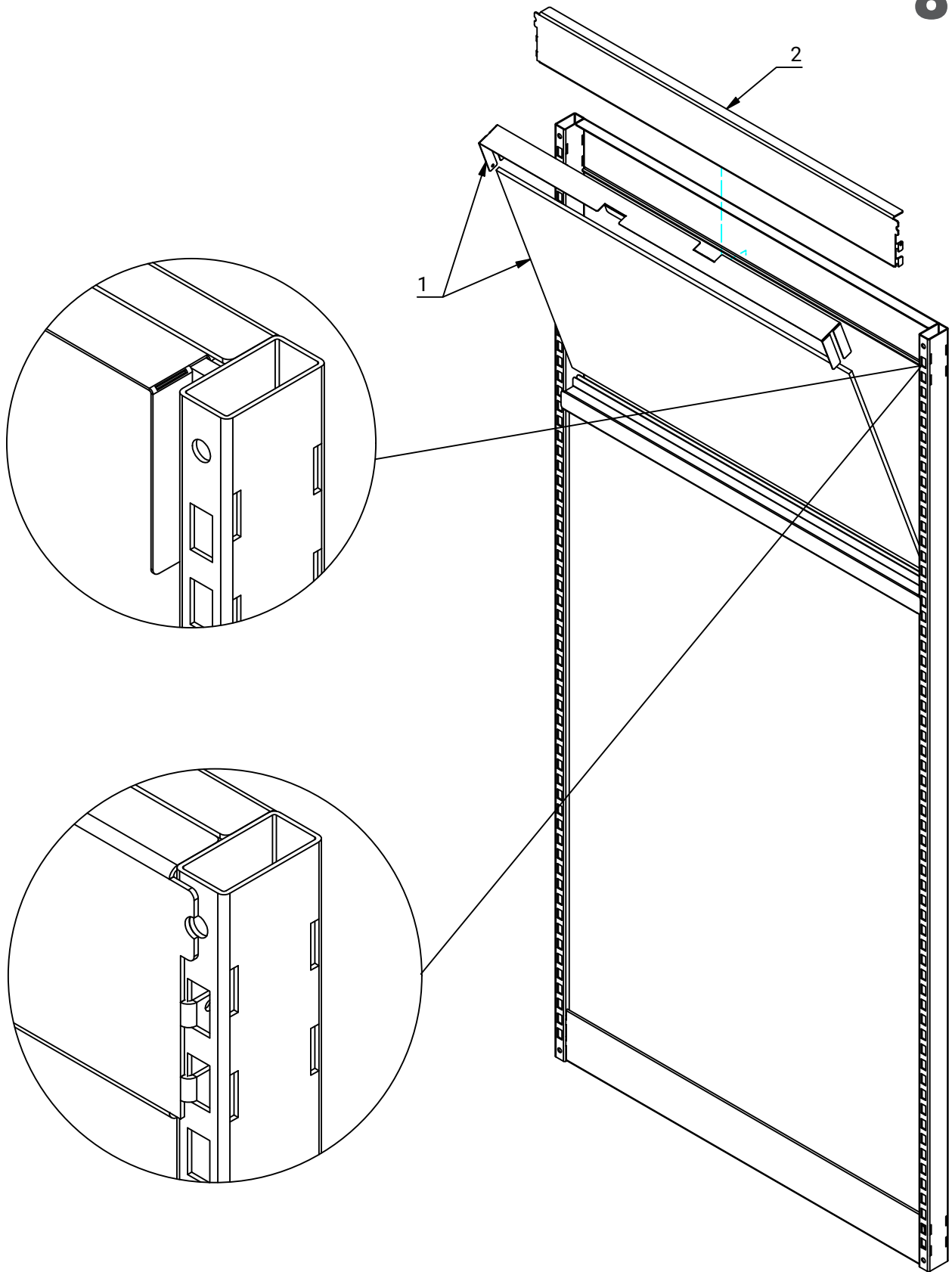
Insert Sound Absorber + Window

8.1



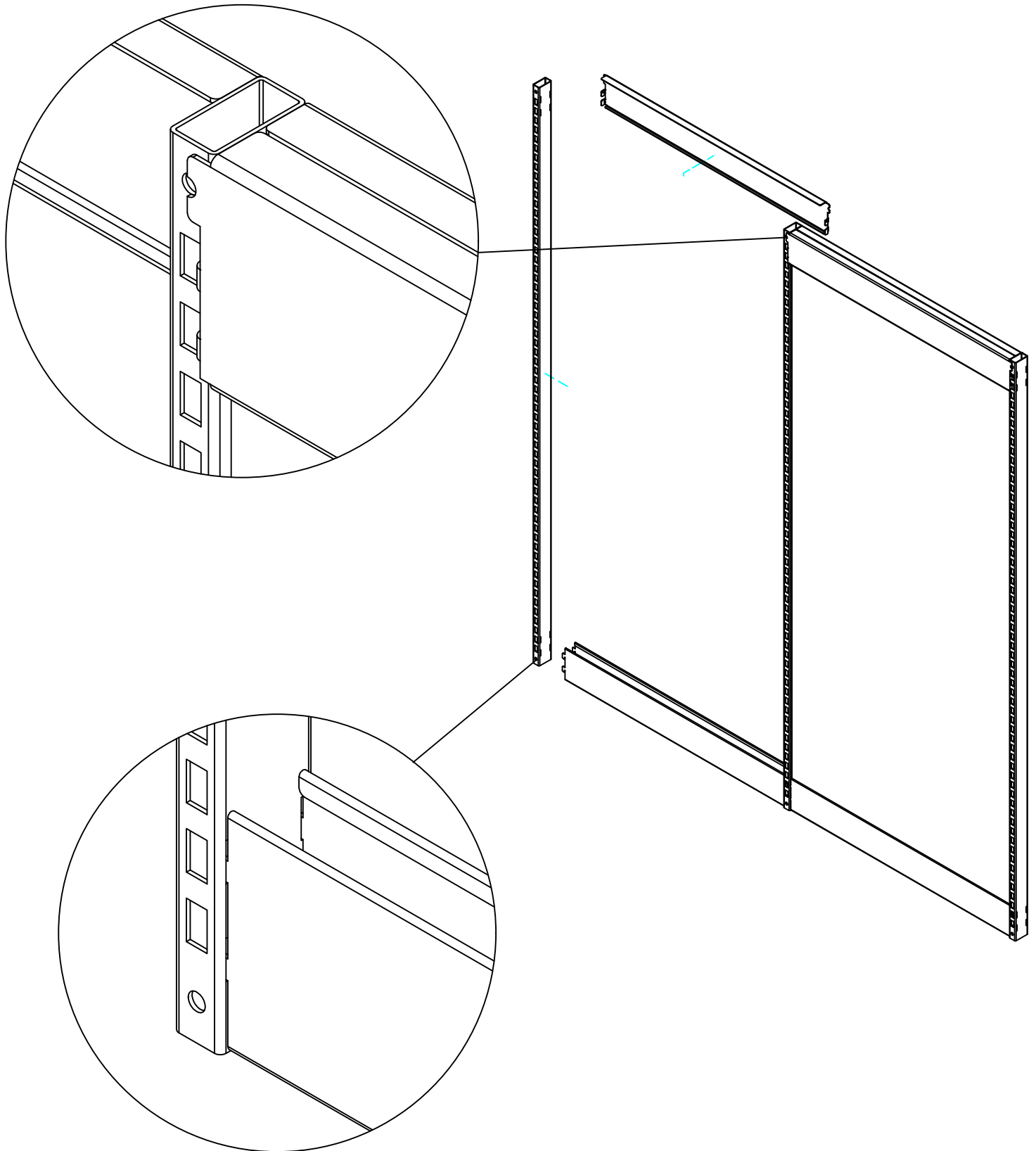
Insert Sound Absorber + Window

8.2



Follow Section

9.1



Follow Section

9.2

