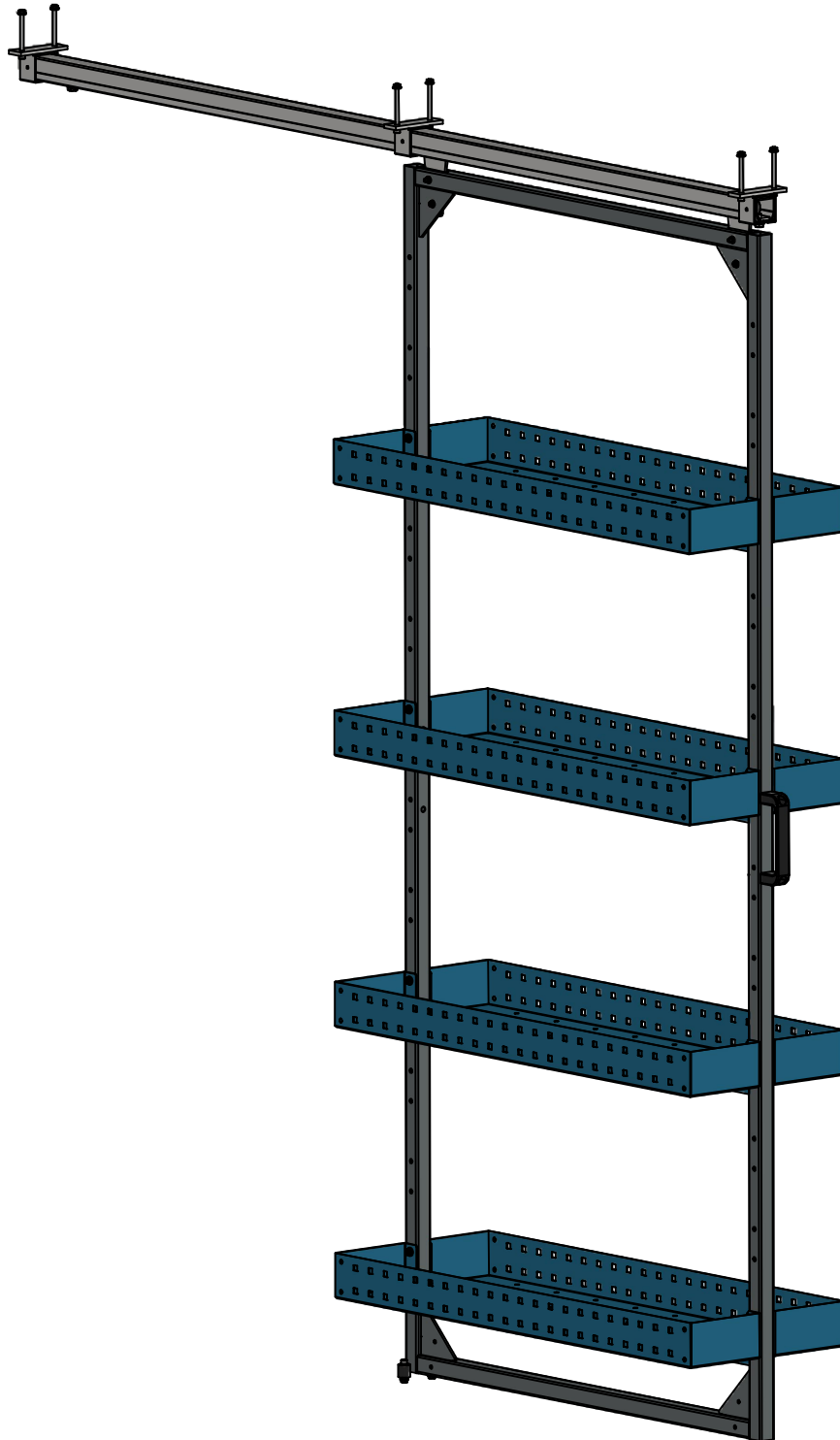
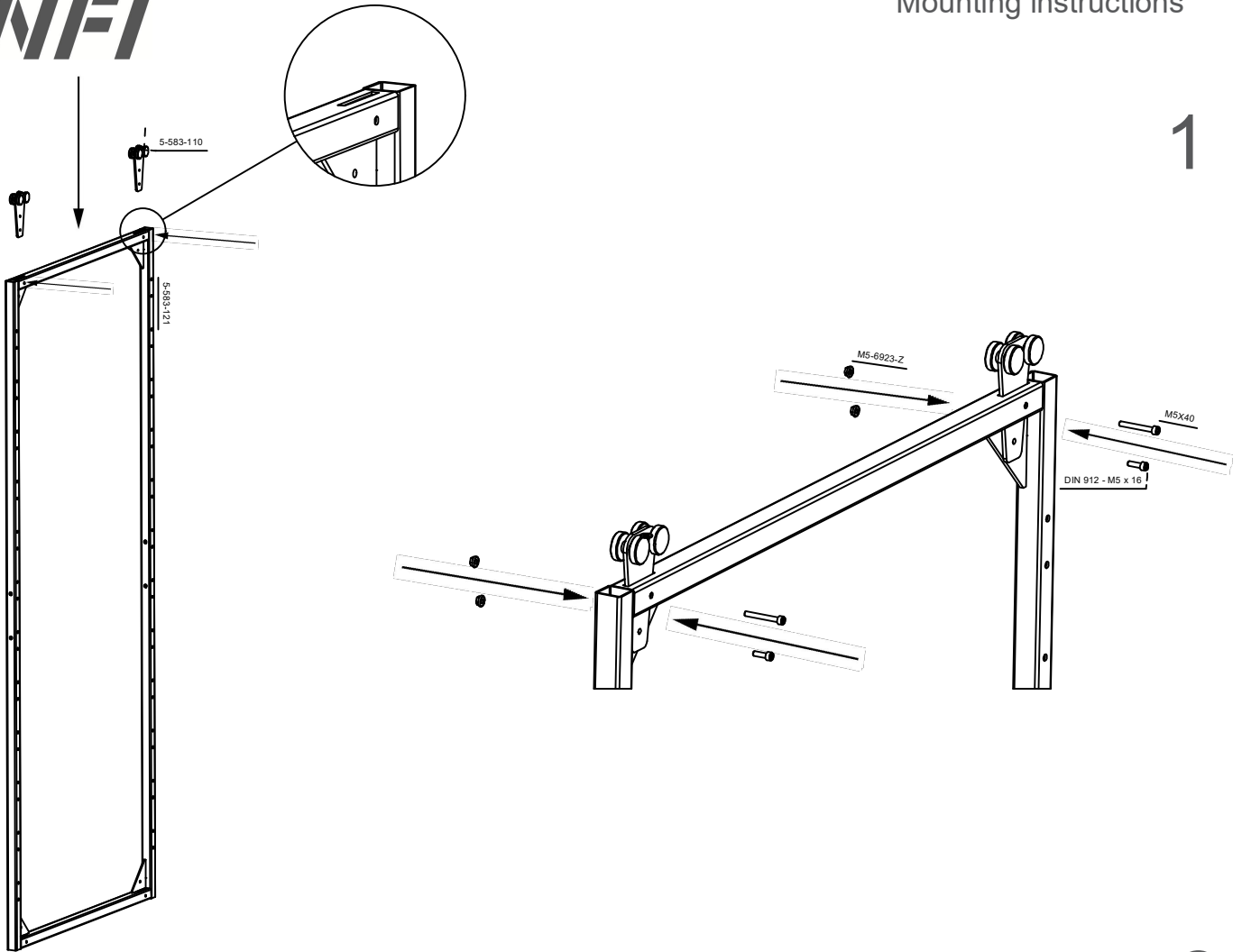


# 5-583-130

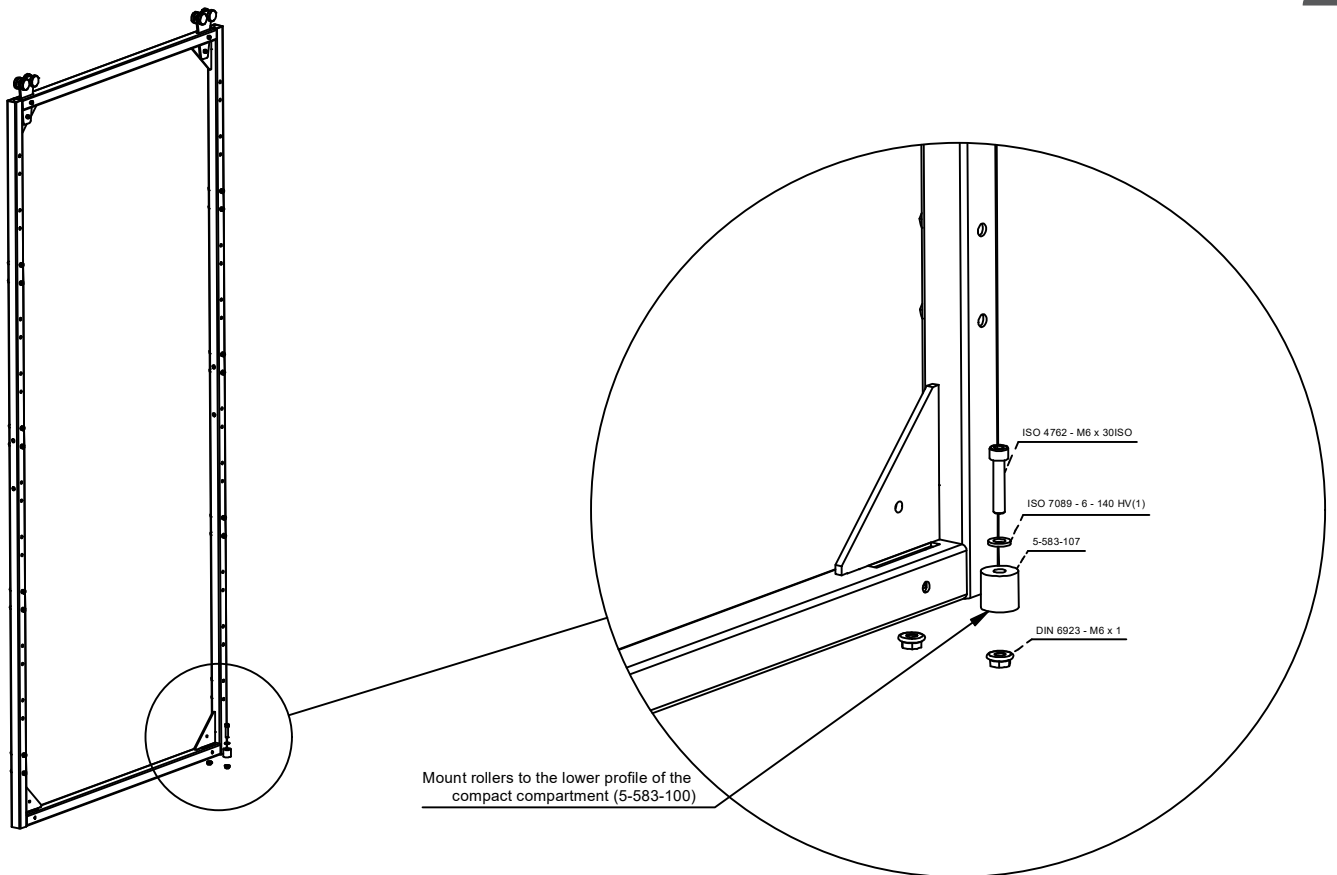
Shelf system, Compact compartment

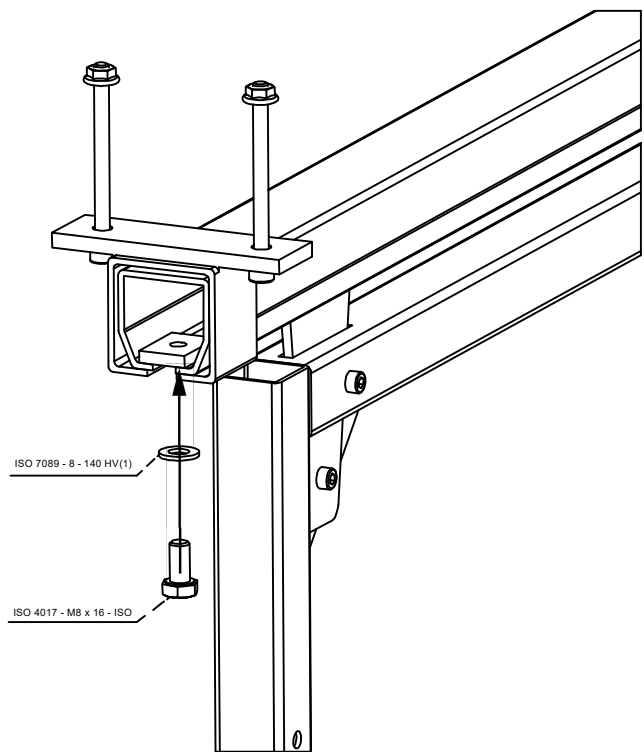
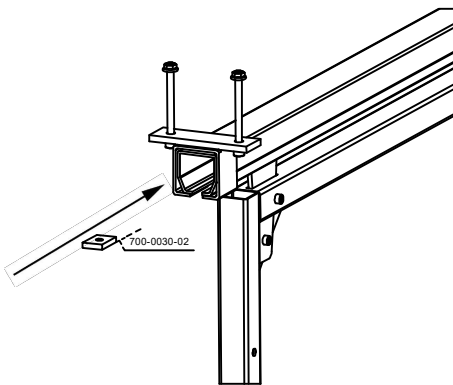
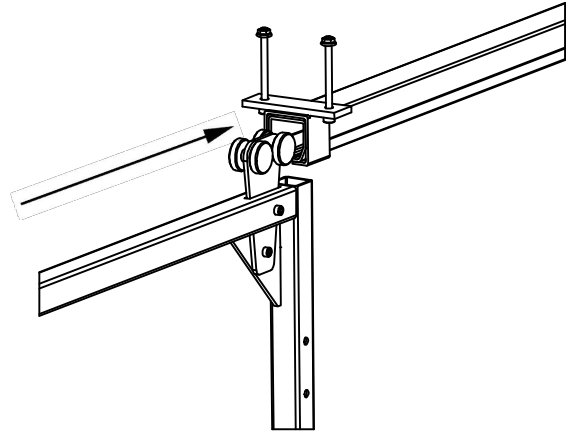
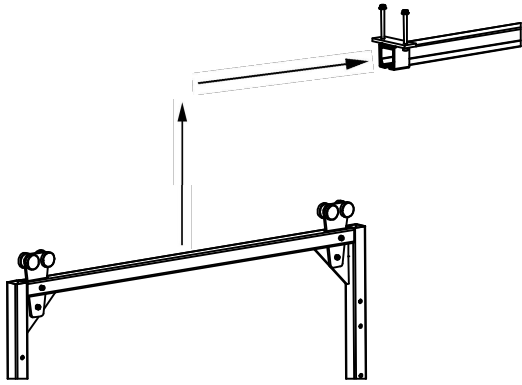


1

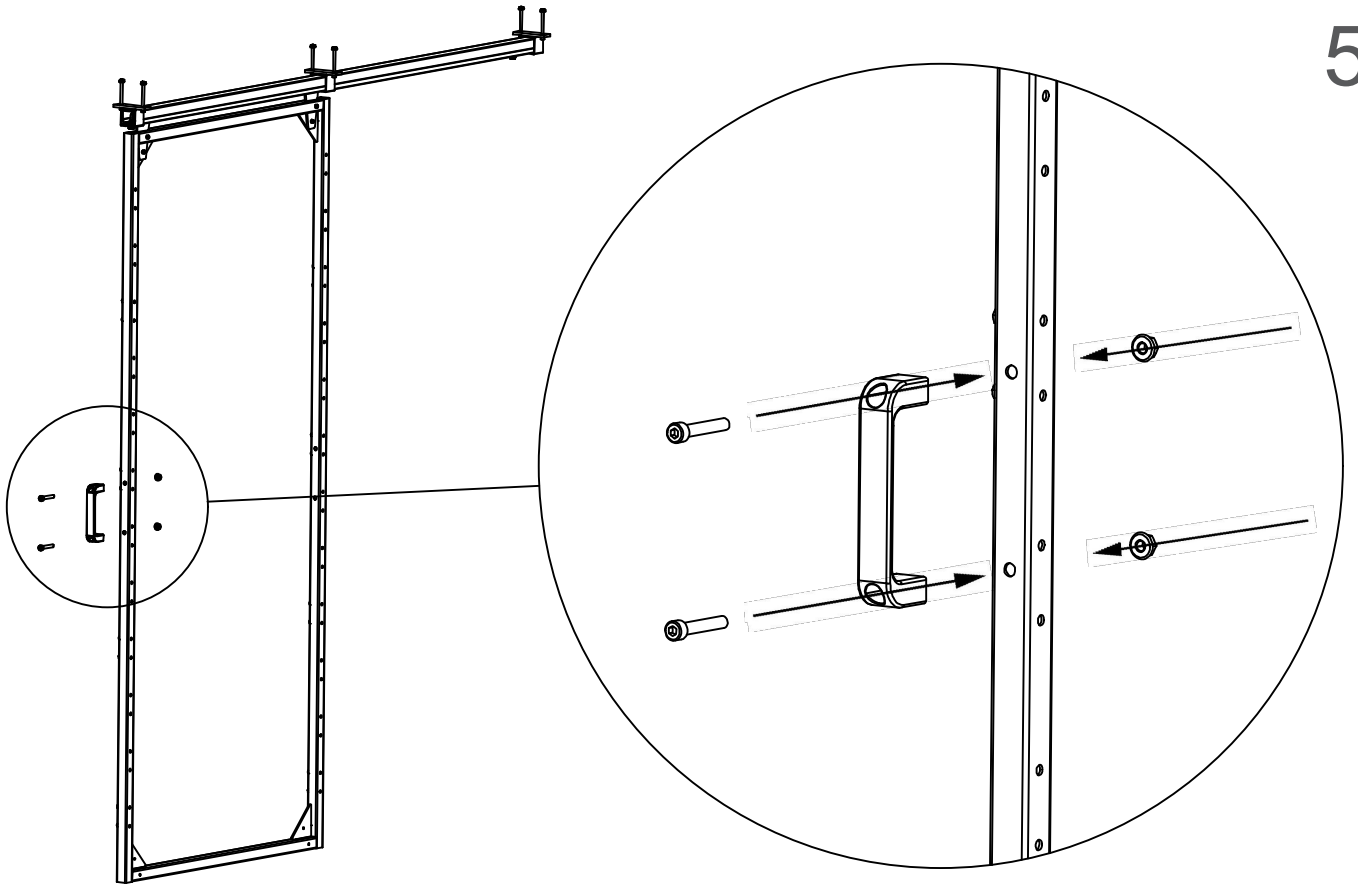


2

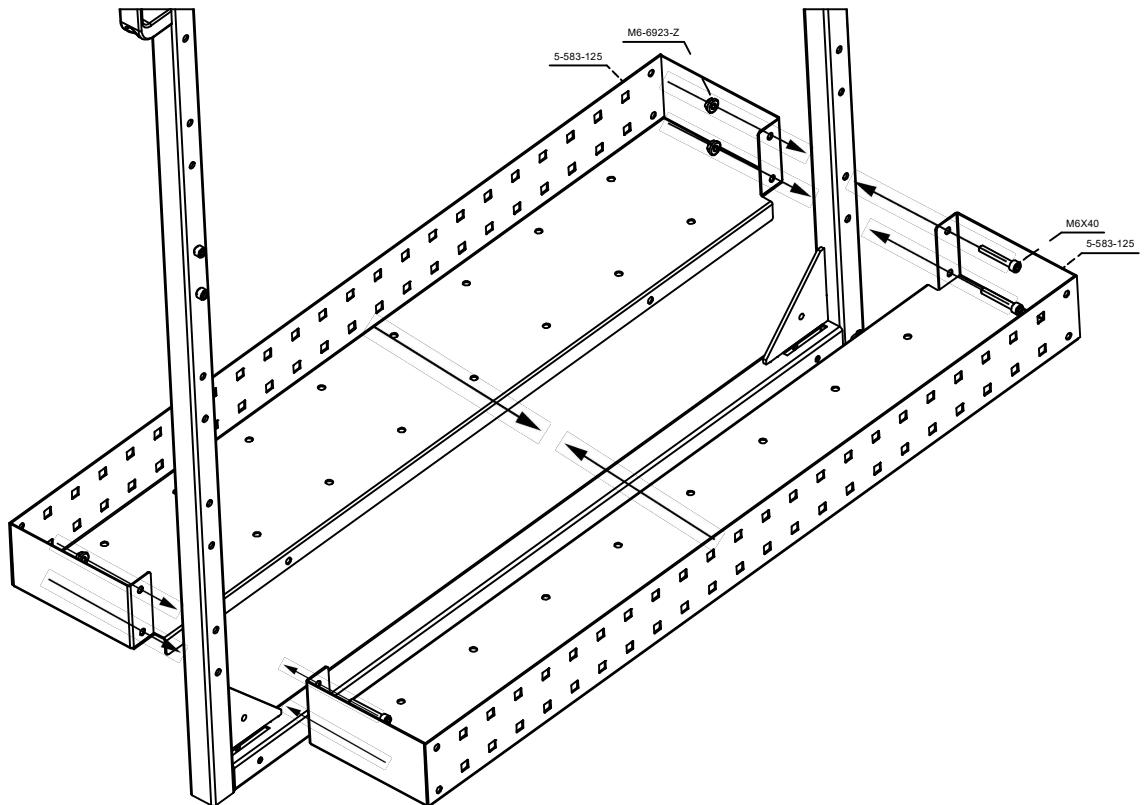




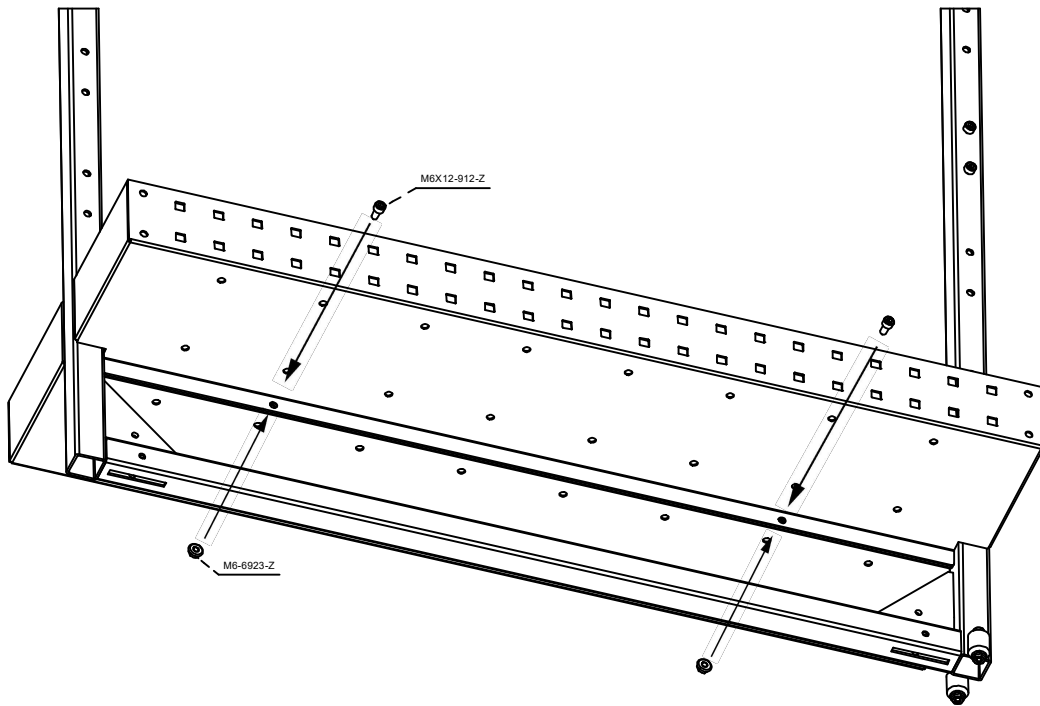
5



6



7



8

