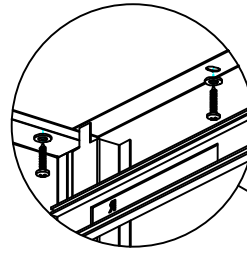
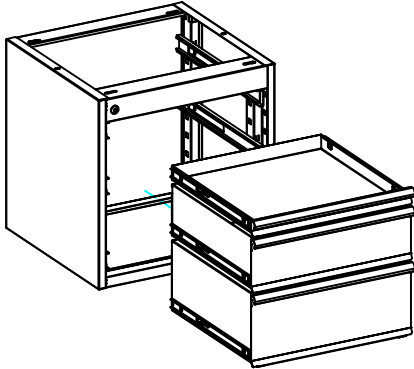




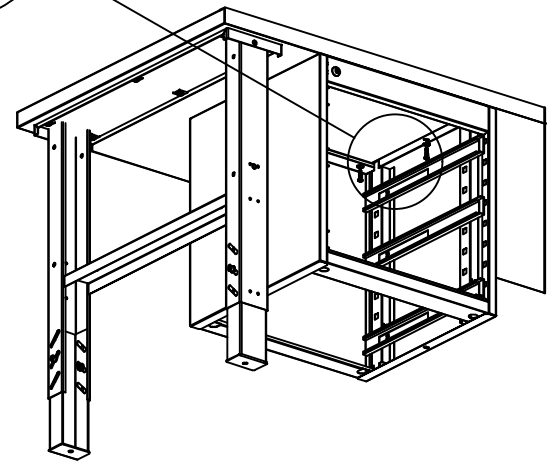
Workshop drawer mounted on HD500

1

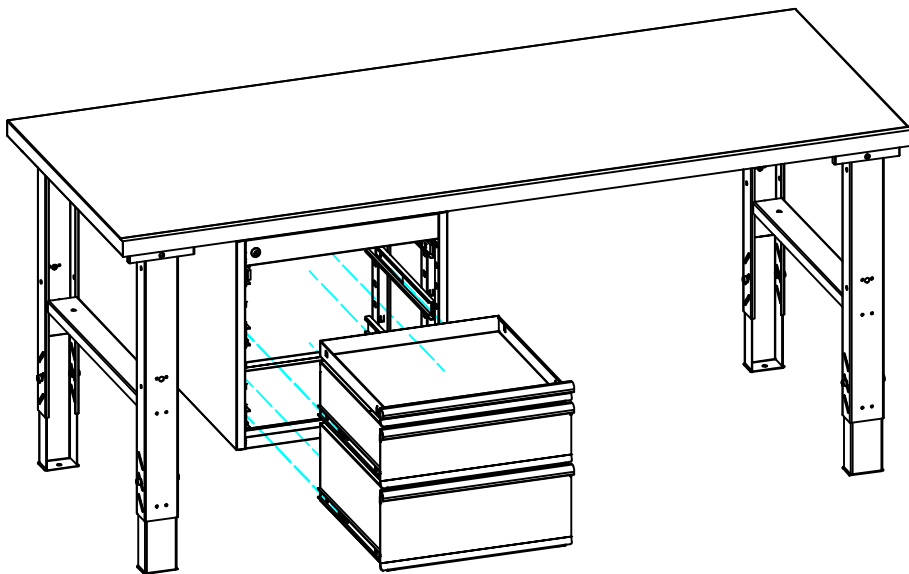


2

-  6x25
6x
-  M8
6x



3



4

